

# TREX POST MOUNT - DECKING AND CONCRETE

Installation Instructions for Pressure-treated Wood Framing



## LOCATION AND INSTALLATION OF POST MOUNTS

### IMPORTANT NOTES:

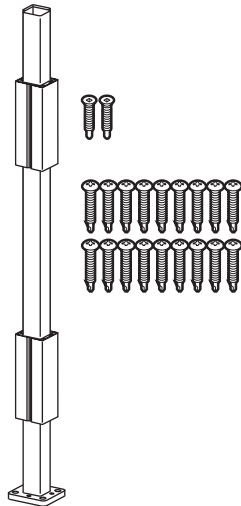
- » **EACH POST MUST BE ATTACHED AS SHOWN TO ENSURE A CODE COMPLIANT AND SAFE INSTALLATION.**
- » **ALWAYS REFER TO YOUR LOCAL BUILDING CODE OFFICIAL PRIOR TO INSTALLING ANY RAILING SYSTEM TO ENSURE ALL CODE AND SAFETY REQUIREMENTS ARE MET. TREX® CANNOT BE HELD RESPONSIBLE FOR IMPROPER OR NON-RECOMMENDED INSTALLATIONS.**
- » **WHEN INSTALLING TREX POST MOUNTS ON ACQ OR CCA SURFACES, USE AN APPROPRIATE ISOLATION BARRIER BETWEEN POST AND SURFACE (CONTACT LOCAL BUILDING CODE OFFICIAL IF NEEDED).**
- » **ENSURE THAT CORRECT SKU HARDWARE IS ORDERED FOR THE TYPE OF RAILING BEING INSTALLED.**
- » **CANNOT BE USED WITH TREX TRANSCEND COCKTAIL RAILING.**

### TOOLS AND MATERIALS NEEDED

- » Drill and/or screw gun
- » 1/2" (1.27 cm) drill bit for wood
- » Blocking - 2" x 8" (5.1 cm x 20.3 cm) pressure-treated Southern Yellow Pine or equivalent
- » Qty: 36 (per post) - 3" pressure-treated compatible wood screws

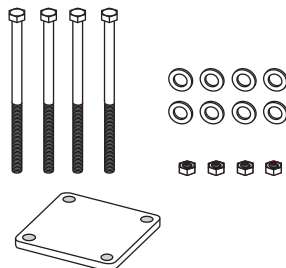
### PARTS

- » (1) Post mount
- » (2) Guide blocks
- » (18) #8-15 x 1-1/4" (3.2 cm) Self-tapping screw
- » (2) 10 x 1" (2.5 cm) Self-tapping screws



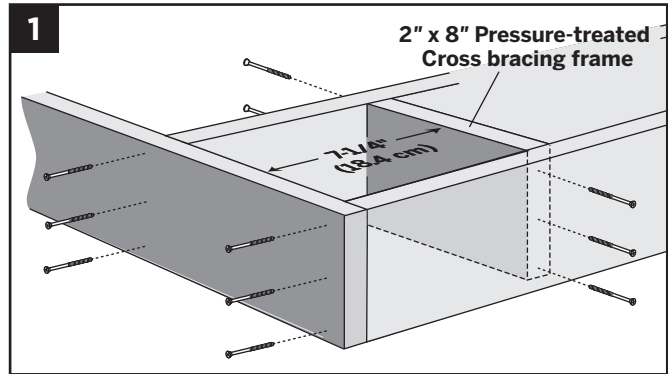
SKU ALPOSTHWDECK (this SKU **SOLD SEPARATELY** and must be used for code-approved applications)

- » (4) 3/8" x 6" (1 cm x 15.2 cm) Hex cap bolts
- » (1) Back plate
- » (8) Flat washers
- » (4) Hex nuts

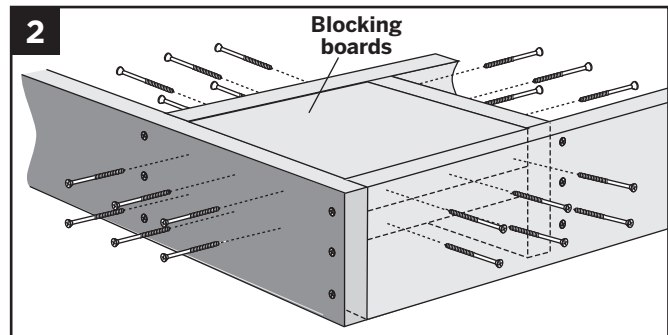


### Installing Post Mounts on Pressure-treated Wood Framing

#### Corner Post Installation



1. Install 2" x 8" (5.1 cm x 20.3 cm) cross bracing frame in between joists at 7-1/4" (18.4 cm). Attach a total of twelve 3" (7.6 cm) pressure-treated compatible screws (*not provided*).



2. Install two 2" x 8" (5.1 cm x 20.3 cm) boards as blocking under post location. Securely attach blocking using a total of twenty-four 3" (7.6 cm) pressure-treated compatible screws (*not provided*).

**NOTE:** TO ENSURE THE BLOCKING IS FULLY SECURE, USE THE AMOUNT OF SCREWS INDICATED ABOVE.

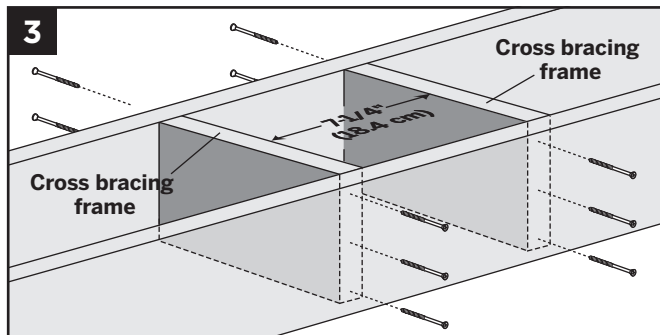
**TIP:** USE TWO ADDITIONAL SCREWS TO "SANDWICH" BLOCKING BOARDS TOGETHER FOR EASIER ATTACHMENT TO FRAMING.

# TREX® POST MOUNT - DECKING AND CONCRETE

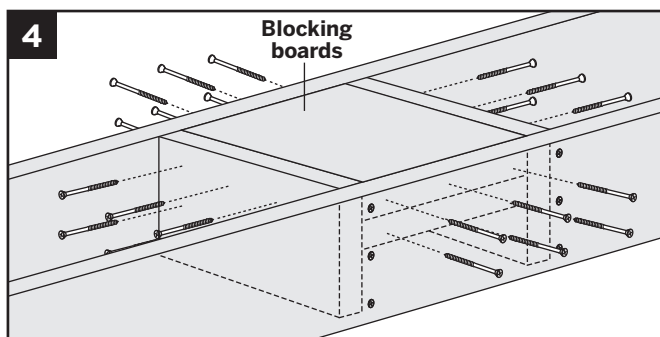
## Installation Instructions for Pressure-treated Wood Framing

### LOCATION AND INSTALLATION OF POSTS/CONTINUED

#### Line Post Installation



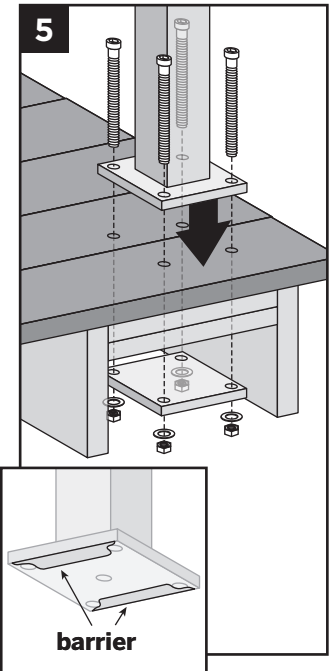
3. Install two 2" x 8" (5.1 cm x 20.3 cm) cross bracing frames in between joists at 7-1/4" (18.4 cm). Attach a total of twelve 3" (7.6 cm) pressure-treated compatible screws (*not provided*).



4. Install two 2" x 8" (5.1 cm x 20.3 cm) boards as blocking under post location. Securely attach blocking using a total of twenty-four 3" (7.6 cm) pressure-treated compatible screws (*not provided*).

5. **NOTE:** RIM JOIST REMOVED TO SHOW PROPER ATTACHMENT OF HARDWARE.

Insert the (2) stainless steel barrier strips under the mounting bolt holes. Use composite shims or similar material (not provided) if posts are not plumb. Ensure that post is placed on decking surface so that it clears the rim joist and there is enough clearance on the underside blocking for the back plate to be installed.



Attach posts using four 3/8" x 6" (1 cm x 15.2 cm) hex cap bolts, washers, and nuts, along with aluminum back plate on underside of blocking. If the project requires IRC compliance, this back plate **MUST** be installed under the decking to ensure this will meet code compliance. Reference SKU part number ALPOSTHWDECK for required hardware and aluminum plate. (Consult local code official for more information on IRC Compliance.)

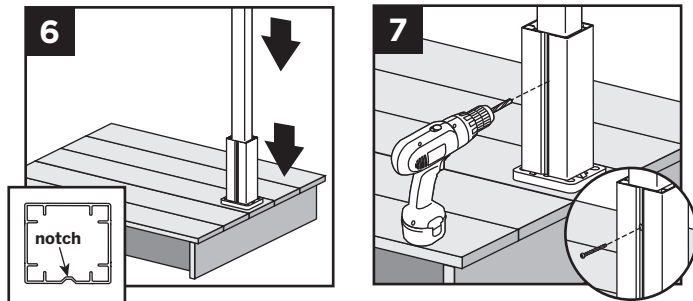
# TREX® POST MOUNT - DECKING AND CONCRETE

## Installation Instructions for Pressure-treated Wood Framing

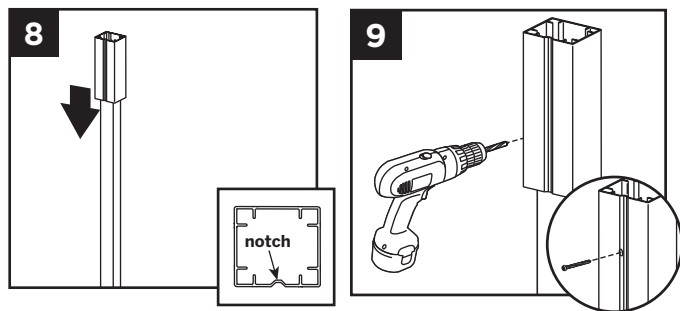
### LOCATION AND INSTALLATION OF POSTS/CONTINUED

#### Install Guide Blocks

**NOTE:** Pre-drilling is not required but is optional for attachment of guide blocks to post. Use a drill bit slightly smaller in size than that of screw being installed.



6. Place or rest bottom aluminum guide block on bottom of post. Place guide on post so that notch is on a side that does not require railing to be attached.
7. Attach bottom guide block using one 10 x 1" self tapping screw (provided) in notch to lock guide block onto post.



8. Location of top guide block will vary slightly based on type and height of railing being installed. Determine this measurement and place top guide block in location where top bracket for desired railing would be approximately on center of the top railing bracket location.
9. Attach top guide block using one 10 x 1" self tapping screw (provided) in notch to lock guide block onto post.

#### Install Railing System of Choice

##### NOTES:

- » Quantity of 18 self-tapping screws are provided to cover all types of Trex railing bracket installations (Transcend, Signature [formerly Reveal], and Select). Thus depending on the type railing being installed, you may have screws that are not used.
- » If using 6x6 post sleeves, attach designated railing brackets using #8-15 x 1-3/4" (4.4 cm) 316 stainless steel self-tapping screws (not provided).
- » Pre-drilling is not required but is optional for attachment of brackets to guide blocks. Use a drill bit slightly smaller in size than that of screw being installed.

**NOTE:** If installing Trex Lighting on the posts, drill hole through support blocks to allow wiring for lights to be below the surface of the decking.

# TREX® POST MOUNT - DECKING AND CONCRETE

## Installation Instructions for Concrete

### LOCATION AND INSTALLATION OF POST MOUNTS

#### NOTES:

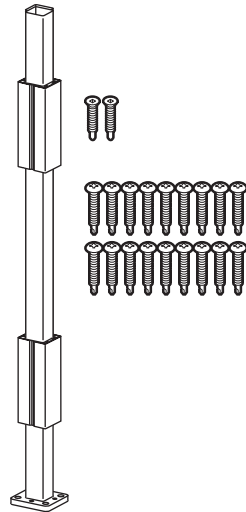
- » **INSTALLATION SHOWN HERE IS FOR IRC APPROVED APPLICATIONS ONLY.**
- » **MAKE SURE CONCRETE IS LEVEL BEFORE INSTALLING POSTS.**
- » **ALWAYS REFER TO YOUR LOCAL BUILDING CODE OFFICIAL PRIOR TO INSTALLING ANY RAILING SYSTEM TO ENSURE ALL CODE AND SAFETY REQUIREMENTS ARE MET. TREX® CANNOT BE HELD RESPONSIBLE FOR IMPROPER OR NON-RECOMMENDED INSTALLATIONS.**
- » **CANNOT BE USED WITH TREX TRANSCEND COCKTAIL RAILING.**

#### TOOLS NEEDED

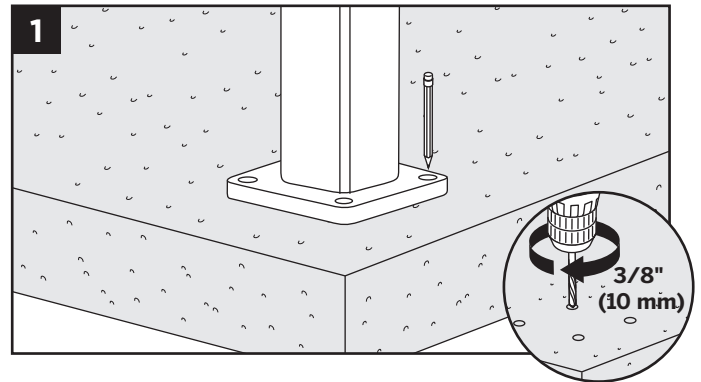
- » Hammer
- » Drill and/or screw gun
- » 3/8" (10 mm) drill bit for concrete

#### PARTS

- » (1) Post mount
- » (2) Guide blocks
- » (18) #8-15 x 1-1/4" (32 mm) Self-tapping screws
- » (2) 10 x 1" (25 mm) Self-tapping screws

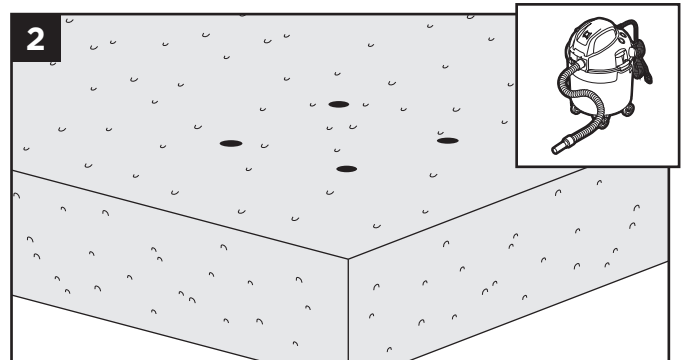


#### Pre-drill Holes



1. Using post as a template, mark locations of the four holes and drill into concrete at least 2-5/8" (66.7 mm) using a 3/8" (10 mm) masonry bit.

**NOTE:** You can either set drill bit to correct depth on drill or mark drill bit with tape at required dimension to ensure all holes are drilled at the correct depth.

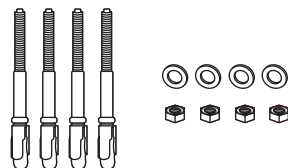


2. Clean out holes to remove all concrete dust.

#### SKU ALPOSTHWCONC

(this SKU **SOLD SEPARATELY**)

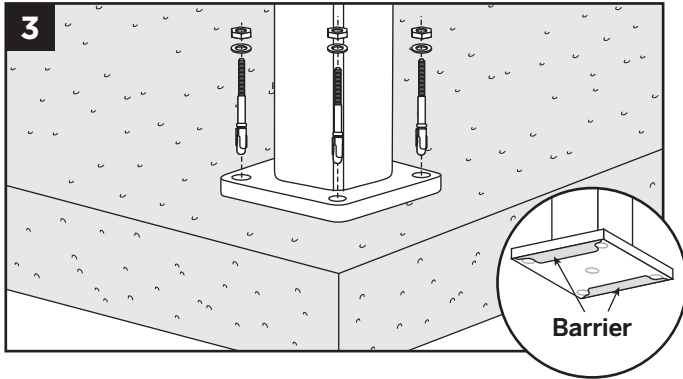
- » (4) 3/8" x 3-3/4" (10 mm x 95 mm) Expansion anchor
- » (4) Flat washers
- » (4) Hex nuts



# TREX® POST MOUNT - DECKING AND CONCRETE

## Installation Instructions for Concrete

### LOCATION AND INSTALLATION OF POST MOUNTS/CONTINUED



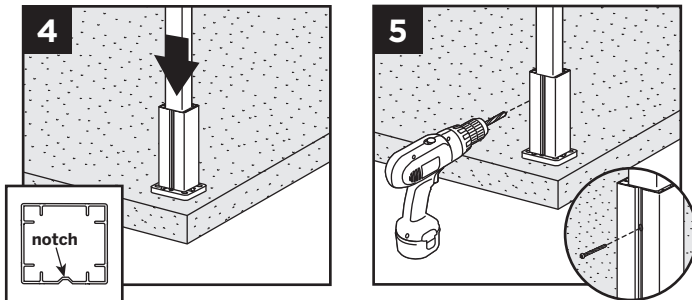
3. Insert the (2) stainless steel barrier stripes under the mounting bolt holes. Use appropriate shims if posts are not plumb. Secure post mount with the four expansion anchors, washers and nuts.

**NOTE:** When using hammer to tap anchors in place, keep the threaded nut at the top of the anchor in order to not damage the threads.

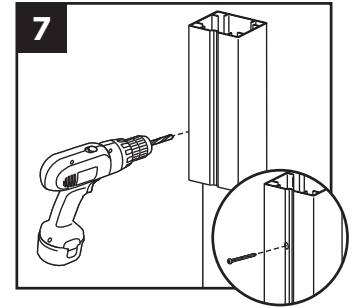
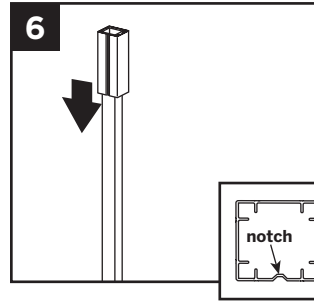
**NOTE:** Recommended torque for anchors is 20 ft-lbs.

#### Install Guide Blocks

**NOTE:** Pre-drilling is not required but is optional for attachment of guide blocks to post. Use a drill bit slightly smaller in size than that of screw being installed.



4. Place or rest bottom aluminum guide block on bottom of post. Place guide on post so that notch is on a side that does not require railing to be attached.
5. Attach bottom guide block using one 10 x 1" (25 mm) self-tapping screw (provided) in notch to lock guide block onto post.



6. Location of top guide block will vary slightly based on type and height of railing being installed. Determine this measurement and place top guide block in location where top bracket for desired railing would be approximately on center of the top railing bracket location.
7. Attach top guide block using one 10 x 1" (25 mm) self-tapping screw (provided) in notch to lock guide block onto post.

#### Install Railing System of Choice

##### IMPORTANT NOTES:

- » Quantity of 18 self-tapping screws are provided to cover all types of Trex railing bracket installations (Transcend, Signature [formerly Reveal], and Select). Thus depending on the type railing being installed, you may have screws that are not used.
- » Pre-drilling IS REQUIRED when attaching brackets to designated posts. Use a 9/64" (3.6 mm) drill bit to pre-drill at specified locations according to instructions provided with railing kits.
- » If using 6x6 post sleeves, attach designated railing brackets using #8-15 x 1-3/4" (44 mm) 316 stainless steel self-tapping screws (not provided).

**NOTE:** If installing Trex Lighting on the posts, drill hole through support blocks to allow wiring for lights to be below the surface of the decking.

