

Outdoor Accents[®]
decorative hardware



Designed for Building
Designed for Living



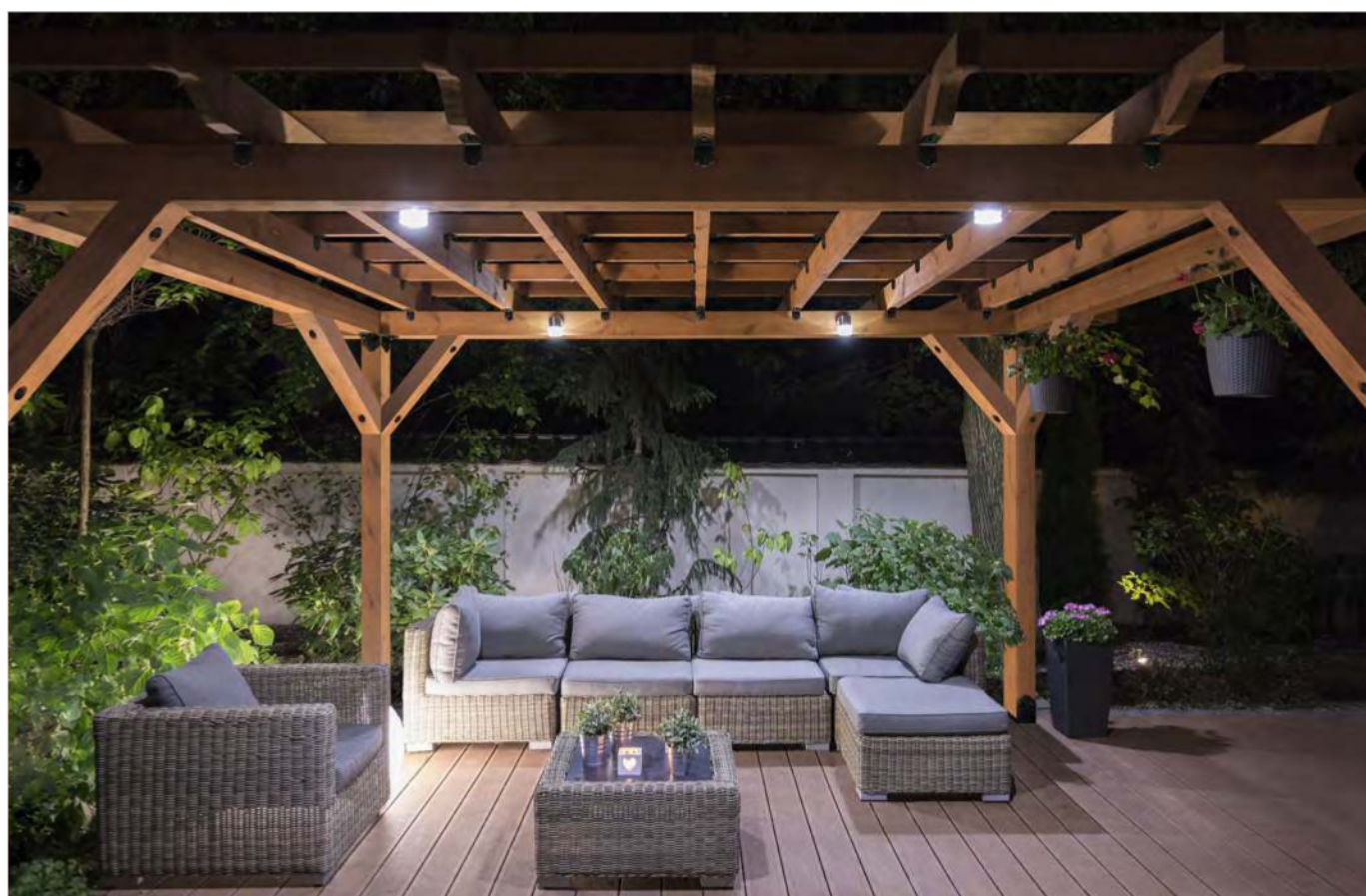
(800) 999-5099 | strongtie.com

Add **Beauty** and **Strength** to Your Custom Outdoor Living Structures

With Outdoor Accents[®], a line of decorative wood connectors and fasteners from Simpson Strong-Tie, you can bring both design elegance and structural strength to your outdoor living areas. This hardware accommodates nominal and rough lumber sizes, providing the flexibility you need when designing and building custom outdoor structures.

Key Features

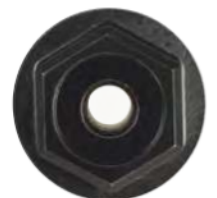
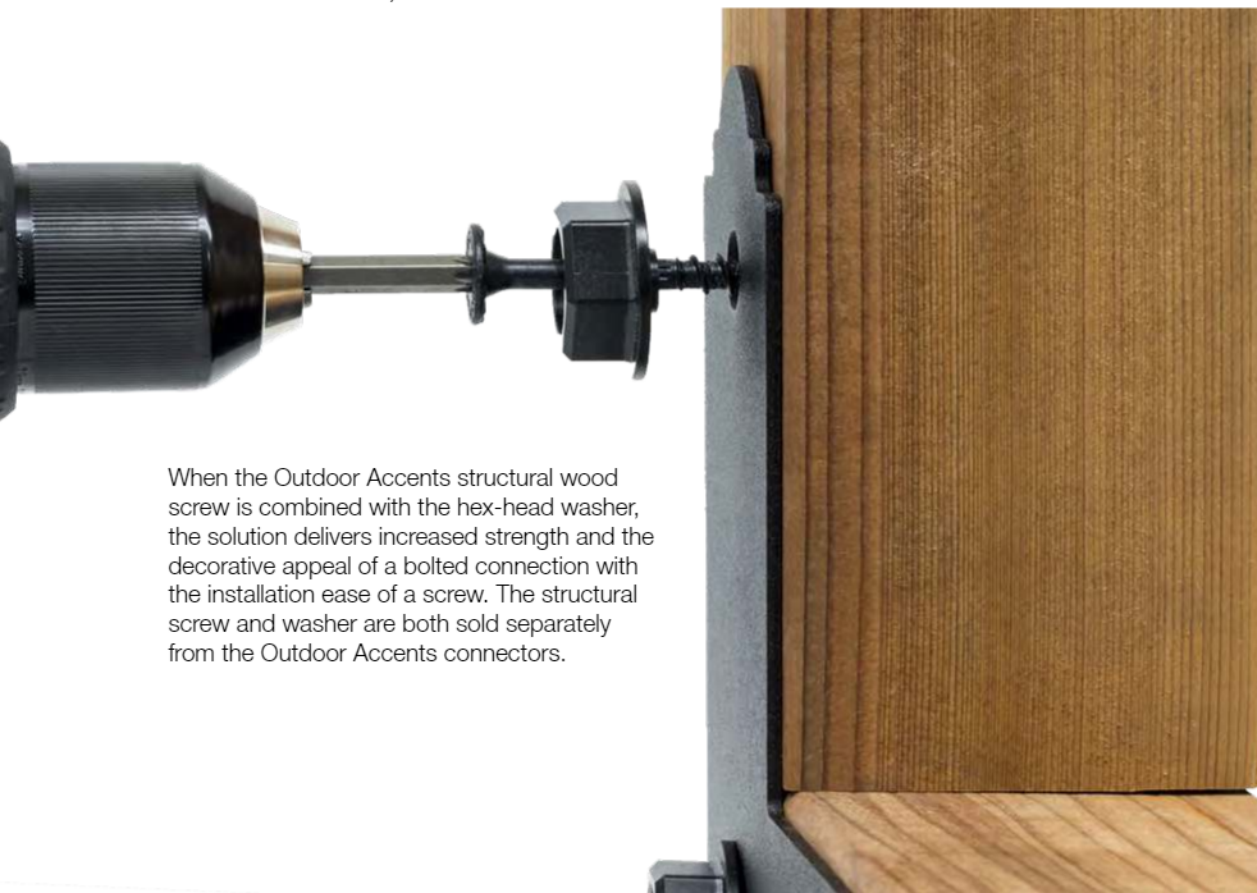
- Mission-style decorative accents enhance the beauty of your outdoor living area
- All hardware has been tested and can be used to resist wind or seismic loads
- Products code listed in IAPMO UES ER-280, ER-192; and ICC-ES ESR-3046
- G185 ZMAX galvanized steel with a black powder-coat finish provides corrosion protection and beauty
- Patent-pending hex-head washer design facilitates easy installation
- Fastener and washer create decorative bolt-like connections but install with the ease of a screw and without predrilling





The Look of a Bolt, the Ease of a Screw

The Outdoor Accents® hex-head washer provides the decorative appearance of a bolted connection. Its patent-pending design makes for an easier and significantly faster installation compared to through-bolting. The hex-head washer and structural wood screw are code listed (IAPMO UES ER-192). This washer and screw combination is designed specifically to fasten Outdoor Accents connectors and other wood-to-wood connections. (Connectors are listed in IAPMO UES ER-280. The connector screw is listed in ICC-ES ESR-3046.)

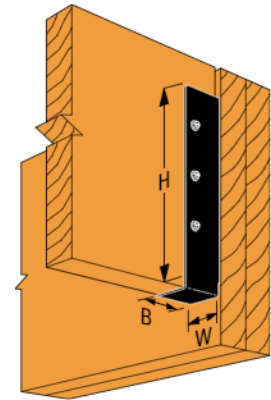


When the Outdoor Accents structural wood screw is combined with the hex-head washer, the solution delivers increased strength and the decorative appeal of a bolted connection with the installation ease of a screw. The structural screw and washer are both sold separately from the Outdoor Accents connectors.

Joist Connections

Light Joist Hanger

Joist Size	Model No.	Ga.	Dimensions (in.)			Fastener Qty.		DF/SP Allowable Loads (lb.)			
			W	H	B	Header	Joist	Uplift (160)	Floor (100)	Snow (115)	Roof (125)
2x4	APLH24	14	1 9/16	3 5/16	1 7/8	4	2	315	690	795	865
	APLH24R		2 1/8	3 1/16							
2x6 or 2x8	APLH26	14	1 9/16	5 1/8	1 7/8	6	4	900	1,040	1,195	1,300
	APLH26R		2 1/8	4 7/8							
2x10 or 2x12	APLH210	14	1 9/16	8	1 7/8	10	6	1,345	1,730	1,990	2,165
	APLH210R		2 1/8	7 3/4							

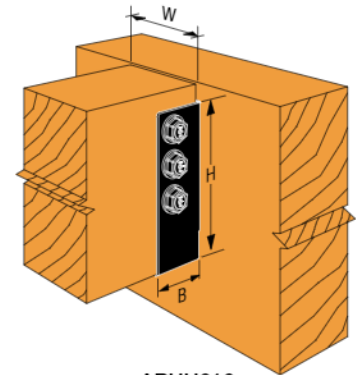


APLH210

1. Uplift loads have been increased for earthquake or wind loading with no further increase allowed. Reduce where other loads govern.
2. All fasteners are Simpson Strong-Tie SD10112DBB. Fasteners sold separately.

Heavy Joist Hanger

Joist Size	Model No.	Ga.	Dimensions (in.)			Fasteners Qty.		DF/SP Allowable Loads (lb.)			
			W	H	B	Header	Joist	Uplift (160)	Floor (100)	Snow (115)	Roof (125)
4x6 or 4x8	APHH46	12	3 9/16	5 1/8	3	6	2	1,165	2,280	2,280	2,280
	APHH46R		4 1/16	4 7/8							
6x10 or 6x12	APHH610	12	5 1/2	8 1/2	3	14	6	4,140	5,880	6,760	7,350
	APHH610R		6	8 1/4							

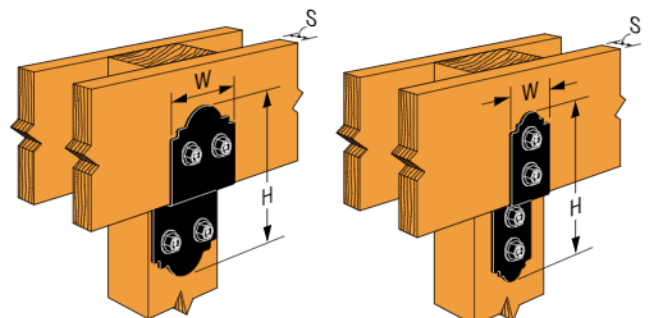


APHH610

1. Uplift loads have been increased for earthquake or wind loading with no further increase allowed. Reduce where other loads govern.
2. All fasteners are Simpson Strong-Tie SDS25300 to the header and SDWS22312DBB with STN22 to the joist. Fasteners sold separately.

Deck Joist Tie

Model No.	Ga.	Dimensions (in.)			Fastener Qty. and Length		DF/SP Allowable Down Loads (lb.)	
		S	W	H	Column	Joist	Floor (100)	Roof (125)
APDJT2-4	12	1 1/2	3	10	(2) SDWS 3 1/2"	(2) SDWS 5 1/2"	1,870	2,340
APDJT1.75-4	12	1 3/4	3	9 3/4	(2) SDWS 3 1/2"	(2) SDWS 5 1/2"		
APDJT2R-4	12	2	3	9 1/2	(2) SDWS 3 1/2"	(2) SDWS 5 1/2"	1,870	2,340
APDJT2-6	12	1 1/2	5	10	(2) SDWS 3 1/2"	(2) SDWS 5 1/2"	1,870	2,340
APDJT1.75-6	12	1 3/4	5	9 3/4	(2) SDWS 3 1/2"	(2) SDWS 5 1/2"		
APDJT2R-6	12	2	5	9 1/2	(2) SDWS 3 1/2"	(2) SDWS 5 1/2"	1,870	2,340



APDJT2-6

APDJT2-4

1. Roof loads are 125% of floor loads. Floor loads may be adjusted for other load durations according to the code, provided they do not exceed the roof loads.
2. Loads are per part. APDJT1.75 model loads for Western Red Cedar are 1,430 lb. floor (100) and 1,790 lb. roof (125).
3. Joist fastener is a Simpson Strong-Tie SDWS22512DBB inserted through an STN22 hex-head washer. Column fastener is a Simpson Strong-Tie SDWS22312DBB inserted through an STN22 hex-head washer. Fasteners sold separately.



Attach Joists with **Concealed Flange Hangers**

The light joist hangers connect 2x joists to beams. These concealed flange hangers feature straight edges and provide a cleaner-looking installation for joist connections. Available in a range of sizes, APLH hangers install easily with the Outdoor Accents® connector screw.



Support Large Beams with **Heavy Hangers**

The heavy concealed hanger connects 4x or 6x beams to girders or posts. The APHH installs with the Strong-Drive® SDS Heavy-Duty Connector screw and with the Outdoor Accents structural wood screw and hex-head washer.



Secure Joists with **Ties**

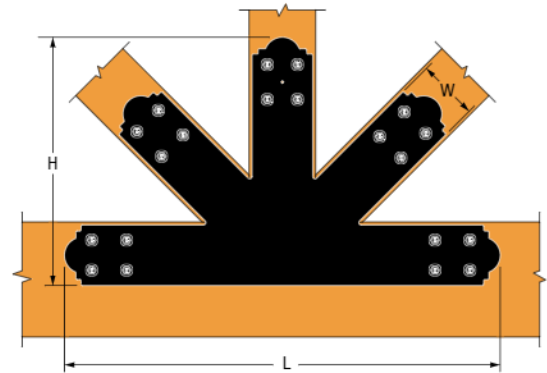
The deck joist tie attaches 2x joists to the side of 4x or larger support posts. It installs quickly and easily with the Outdoor Accents structural wood screw and hex-head washer for the look of a bolted connection.

Roof Framing Connections

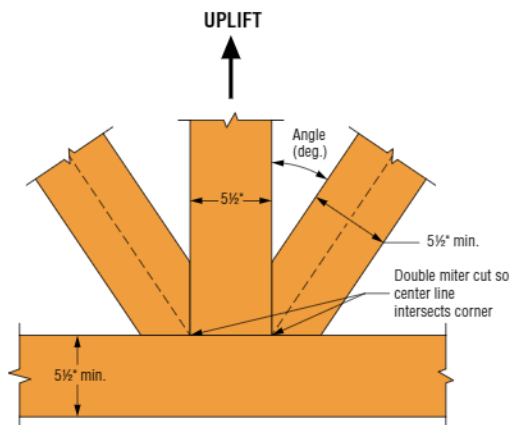
Gable Plates

Model No.	Ga.	Roof Pitch	Angle (deg.)	Dimensions (in.)			Fastener Qty.			DF/SP Allowable Loads (lb.)
				W	H	L	Beam	Center Column	Angled Struts	
APGP612	12	6:12	27°	5	20½	36	16	8	16	3,925
APGP812		8:12	34°							
APGP1212		12:12	45°							

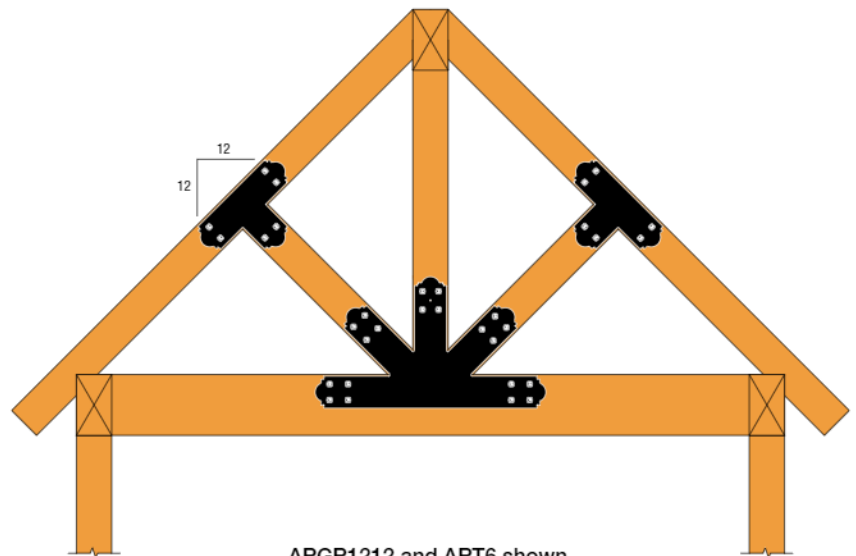
1. Uplift loads have been increased for earthquake or wind loading with no further increase allowed. Reduce where other loads govern.
2. Connectors must be installed in pairs. Allowable loads do not apply to single parts.
3. All fasteners are a Simpson Strong-Tie® SDWS22312DBB inserted through an STN22 washer. Quantities listed are for two parts. Fasteners sold separately.



APGP1212 shown



Note: 12:12 will have equal cuts.
Other sizes will have unequal cuts

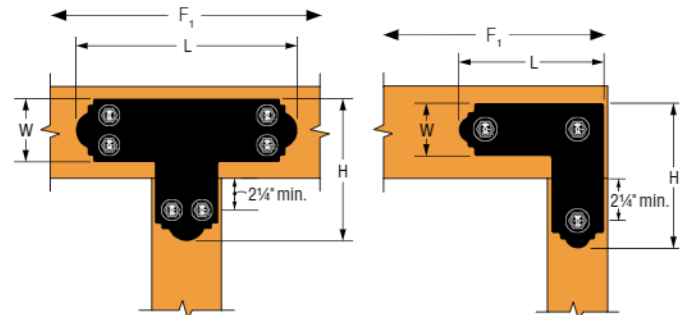


APGP1212 and APT6 shown.
Other connections per designer.

Beam-to-Column Ties

Model No.	Ga.	Qty. Req. ²	Dimensions (in.)			Fastener Qty.		DF/SP Allowable Loads (lb.)	
			W	L	H	Column	Beam	Uplift (160)	F ₁ (160)
APL4	12	(2)	3	8¼	8¼	2	4	1,155	670
APL6	12	(2)	5	11¼	11¼	4	6	1,905	1,340
APT4	12	(2)	3	13½	8¼	2	4	1,330	1,015
APT6	12	(2)	5	17½	11¼	4	8	2,130	1,425

1. Uplift and lateral loads have been increased for earthquake or wind loading with no further increase allowed. Reduce where other loads govern.
2. Connector table loads and fastener quantities listed are for two parts. For single part installations, use half the listed values.
3. All fasteners are a Simpson Strong-Tie SDWS22312DBB inserted through an STN22 hex-head washer. Fasteners sold separately.



APT6

APL4



Add Style with **Gable Plates**

Outdoor Accents® gable plates add decorative appeal and strength to any outdoor living space. They provide reinforcement for a connection from a wood beam to three angled wood braces. Three sizes are available: with the angled braces at 6:12 pitch (27°), 8:12 pitch (34°) and 12:12 pitch (45°). Gable plates are easily installed with Outdoor Accents structural wood screws and hex-head washers.



Connect Beam to Columns with **Strap Ties**

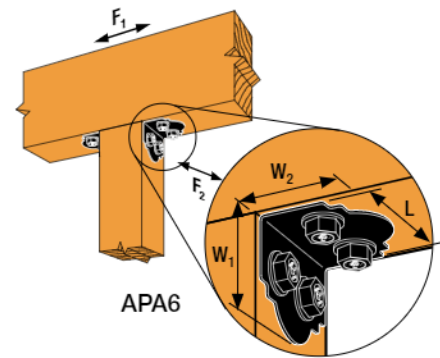
The flat T and L strap ties bring decorative flair and structural strength to your outdoor living space or even an indoor project. They provide reinforcement for connections where one lumber piece intersects another at a 90-degree angle. They're designed to accommodate multiple lumber sizes and to be installed with Outdoor Accents structural wood screws and hex-head washers.

Angles / Ties / Post Connections

Heavy Angles

Model No.	Ga.	Qty. Req. ²	Dimensions (in.)			Fastener Qty.		DF/SP Allowable Loads (lb.)	
			L	W ₁	W ₂	Column	Beam	Uplift	F ₁
APA4	12	(2)	3	3¼	3	2	2	710	1,220
APA6	12	(2)	5	3¾	3½	4	4	1,265	1,985

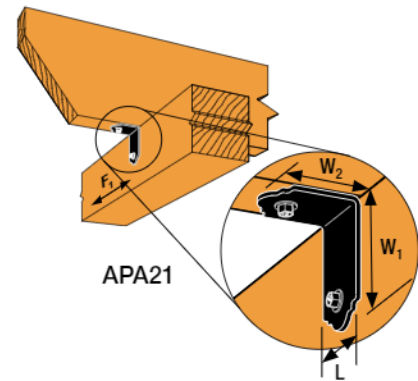
1. Uplift and lateral loads have been increased for earthquake or wind loading with no further increase allowed. Reduce where other loads govern.
2. Connector table loads and fastener quantities listed are for two parts. For single-part installations, use half the listed values.
3. All fasteners are a Simpson Strong-Tie® SDWS22312DBB inserted through an STN22 hex-head washer. Fasteners sold separately.



Light Rafter Tie

Model No.	Ga.	Dimensions (in.)			Fastener Qty.		DF/SP Allowable Loads (lb.)	
		L	W ₁	W ₂	Column	Beam	Uplift	F ₁
APA21	14	1½	2	1½	1	1	200	120

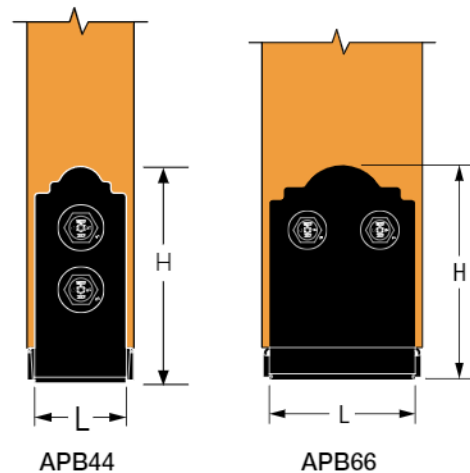
1. Uplift and lateral loads have been increased for earthquake or wind loading with no further increase allowed. Reduce where other loads govern.
2. Allowable loads are for a single part.
3. All fasteners are a Simpson Strong-Tie SD10112DBB. Fasteners sold separately.



Post Base

Model No.	Ga.		Dimensions (in.)			Fastener Qty.		DF/SP Allowable Loads (lb.)	
	Base	Strap	L	W	H	Column (qty.)	Anchor (dia.)	Uplift (160)	Down (100)
APB44	16	12	3	3⅞	7	4	(1) ⅝"	1,035	6,725
APB44R	16	12	3	4⅞	6¾	4	(1) ⅝"	1,035	6,725
APB66	12	12	5	5½	7½	4	(1) ⅝"	1,260	11,450
APB66R	12	12	5	6	7¼	4	(1) ⅝"	1,260	11,450
APB88	14	12	7	7½	10⅞	8	(2) ⅝"	2,670	22,255
APB88R	14	12	7	8	10⅞	8	(2) ⅝"	2,670	22,255
APB1010	14	12	9	9½	11	8	(2) ⅝"	2,365	23,725
APB1010R	14	12	9	10	10¾	8	(2) ⅝"	2,365	23,725

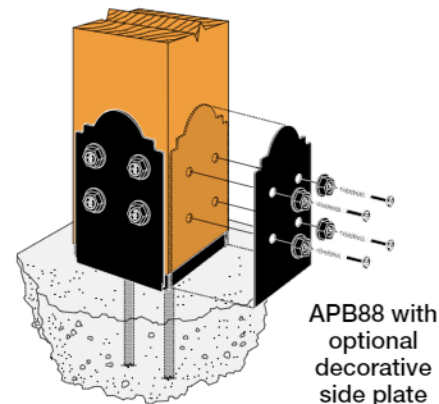
1. Uplift loads have been increased for earthquake or wind loading with no further increase allowed. Reduce where other loads govern.
2. Specifier to design foundation for uplift.
3. Downloads shall be reduced where limited by the post.
4. All column fasteners are a Simpson Strong-Tie® SDWS22312DBB inserted through an STN22 hex-head washer.
5. Post bases do not provide adequate resistance to prevent members from rotating about the base and therefore are not recommended for non-top-supported installations (such as fences or unbraced carports).



Decorative Side Plates

Model No.	Ga.	Dimensions (in.)		Fastener Qty.
		W	H	
APB44DSP	12	3	6¾	4
APB66DSP		5	7¼	
APB88DSP		7	10⅞	8
APB1010DSP		9	10¾	

1. All fasteners are a Simpson Strong-Tie SDWS22312DBB inserted through an STN22 washer. Quantities listed are for two parts. Fasteners sold separately.
2. Install top of decorative side plates flush to top of post base strap legs. Decorative side plate installed on APB post bases will be raised up ¼" from the bottom of the post base, while installations on rough models will not.



APB88 with optional decorative side plate

Angles / Ties / Post Connections



Strengthen Connections with **Angles** and **Ties**

Outdoor Accents® angles tie together beams, rafters and more. These angles make structural connections between beams and posts stronger and provide consistent, strong corners for a variety of outdoor projects.



Start Strong with **Post Bases**

Outdoor Accents post bases secure wood columns to concrete, while providing a 1" standoff height that meets building code requirements and helps reduce decay. These bases are available for lumber in both nominal and rough sizes.

Complete Bases with **Side Plates**

Outdoor Accents decorative side plates attach to the bottom of a post or column to provide a symmetrical finished look to an installed post base. The side plates are purchased separately from the post base and are optional.

Fasteners/Washers

Outdoor Accents Structural Wood Screw with Hex-Head Washer — Wood to Wood/Steel Side Plate

Model No.	Screw Length (in.)	Thread Length (in.)	Allowable Shear Loads (lb.)					
			2x Wood to Wood			12-Ga. Steel Side Member		
			DF/SP	SPF/HF	Western Cedar	DF/SP	SPF/HF	Western Cedar
SDWS22312DBB and STN22	3½	2	235	192	179	470	385	320
SDWS22512DBB and STN22	5½	2¾	465	430	395	640	495	425

1. Allowable loads are for connections between two members with full thread penetration into the main member.
2. Allowable loads are shown at the wood load duration factor of $C_D = 1.0$. Loads may be increased for load duration per the building code up to a $C_D = 1.60$. Tabulated values must be multiplied by all applicable adjustment factors per the NDS.
3. Minimum spacing, edge and end distance requirements are per IAPMO UES ER-192.
4. Loads are based on installation into the side grain of the wood with the screw axis perpendicular to the face of the member.



SDWS22312DBB with STN22

Outdoor Accents Connector Screw

Model No.	Size (in.)	Thread Length (in.)	DF/SP Allowable Loads		SPF/HF Allowable Loads	
			Shear Steel Side Plate (lb.) 20 ga.–12 ga.	Withdrawal (lb./in.)	Shear Steel Side Plate (lb.) 20 ga.–12 ga.	Withdrawal (lb./in.)
SD10112DBB	#10 x 1½"	1	173	173	138	122

1. Withdrawal loads and steel-side-plate shear loads are based on testing per AC233.
2. Allowable loads are shown at the wood load duration factor of $C_D = 1.00$. Loads may be increased for load duration per the building code up to a $C_D = 1.60$.
3. Withdrawal loads are in pounds per inch of the thread penetration into the side grain of the main member.
4. Visit strongtie.com for wood-to-wood shear values and wood-side-plate details.

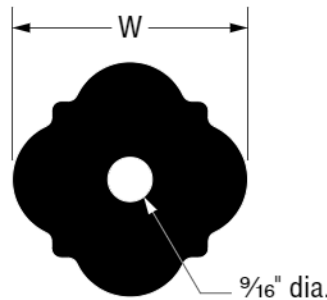


SD10112DBB with APA21

Decorative Washer

Model No.	Ga.	Hole Dia. (in.)	W (in.)
APDMW56	12	⅝	3

1. Fastener is SDWS22312DBB inserted through an STN22 washer.

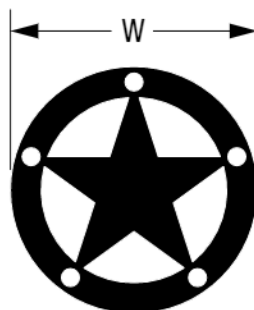


APDMW56

Decorative Star

Model No.	Ga.	Screw size	W (in.)
APDTS3	12	#10 x 1½"	3

1. Fastener is SD10112DBB.



APDTS3



Finish Installations Faster with **Structural Wood Screws**

The Outdoor Accents® structural wood screw reduces installation time by driving easily without predrilling. When combined with the patent-pending, load-rated hex-head washer, the solution delivers the decorative appearance of a bolted connection. Both sold separately.



Fasten Connections Easily with **Connector Screws**

Designed for installation with the Outdoor Accents APA21 90° angle, the screw's black finish accents any outdoor living project. The sharp point of the screw enables fast starts, and the patented serrated threads reduce torque for improved drivability.



Accent Connections with **Decorative Washers**

The APDMW56 decorative washer installs easily with the structural wood screw and hex-head washer combination and can be used in a variety of wood-to-wood connections.



Add Flair with a **Decorative Star**

The APDTS3 decorative star installs easily with the Outdoor Accents connector screw and can be used in a variety of wood projects.

Outdoor Accents®



Fasteners



Post Bases



Angles



Straps



Ties



Hangers



Gable Plates

Model No.	Description	Master Carton Qty.
Fasteners		
STN22-R8	Hex-head washer 8 pc.	10
STN22-R24	Hex-head washer 24 pc.	6
SDWS22312DBBRC12	3 1/2" structural wood screw 12 pc.	10
SDWS22312DBB-R50	3 1/2" structural wood screw 50 pc.	6
SDWS22512DBBRC12	5 1/2" structural wood screw 12 pc.	10
SD10112DBBR50	#10 x 1 1/2" connector screw 50 pc.	5
Connectors		
APB44	4x4 post base for nominal lumber	8
APB44R	4x4 post base for rough sawn lumber	8
APB66	6x6 post base for nominal lumber	6
APB66R	6x6 post base for rough sawn lumber	6
APB88	8x8 post base for nominal lumber	4
APB88R	8x8 post base for rough sawn lumber	4
APB1010	10x10 post base for nominal lumber	2
APB1010R	10x10 post base for rough sawn lumber	2
APB44DSP	(2) 4x4 post base decorative side plates	8
APB66DSP	(2) 6x6 post base decorative side plates	10
APB88DSP	(2) 8x8 post base decorative side plates	5
APB1010DSP	(2) 10x10 post base decorative side plates	1
APA4	4x heavy angle	12
APA6	6x heavy angle	12
APA21	2x light rafter tie	90
APL4	4x L strap	8
APL6	6x L strap	8
APT4	4x T strap	8
APT6	6x T strap	8
APDJT2-4	4x deck-joist tie	24
APDJT1.75-4	4x- 1.75" deck-joist tie	24
APDJT2R-4	4x rough deck-joist tie	24
APDJT2-6	6x deck-joist tie	12
APDJT1.75-6	6x- 1.75" deck-joist tie	12
APDJT2R-6	6x rough deck joist tie	12
APLH24	2x4 light joist hanger	12
APLH24R	2x4 rough light joist hanger	12
APLH26	2x6 or 2x8 light joist hanger	24
APLH26R	2x6 or 2x8 rough light joist hanger	24
APLH210	2x10 or 2x12 light joist hanger	12
APLH210R	2x10 or 2x12 rough light joist hanger	12
APHH46	4x6 or 4x8 heavy hanger	2
APHH46R	4x6 or 4x8 rough heavy hanger	2
APHH610	6x10 or 6x12 heavy hanger	2
APHH610R	6x10 or 6x12 rough heavy hanger	2
APGP612	Gable Plates 6:12 pitch	2
APGP812	Gable Plates 8:12 pitch	2
APGP1212	Gable Plates 12:12 pitch	2
APDMW56	Decorative washer	24
APDTS3	Decorative star	24