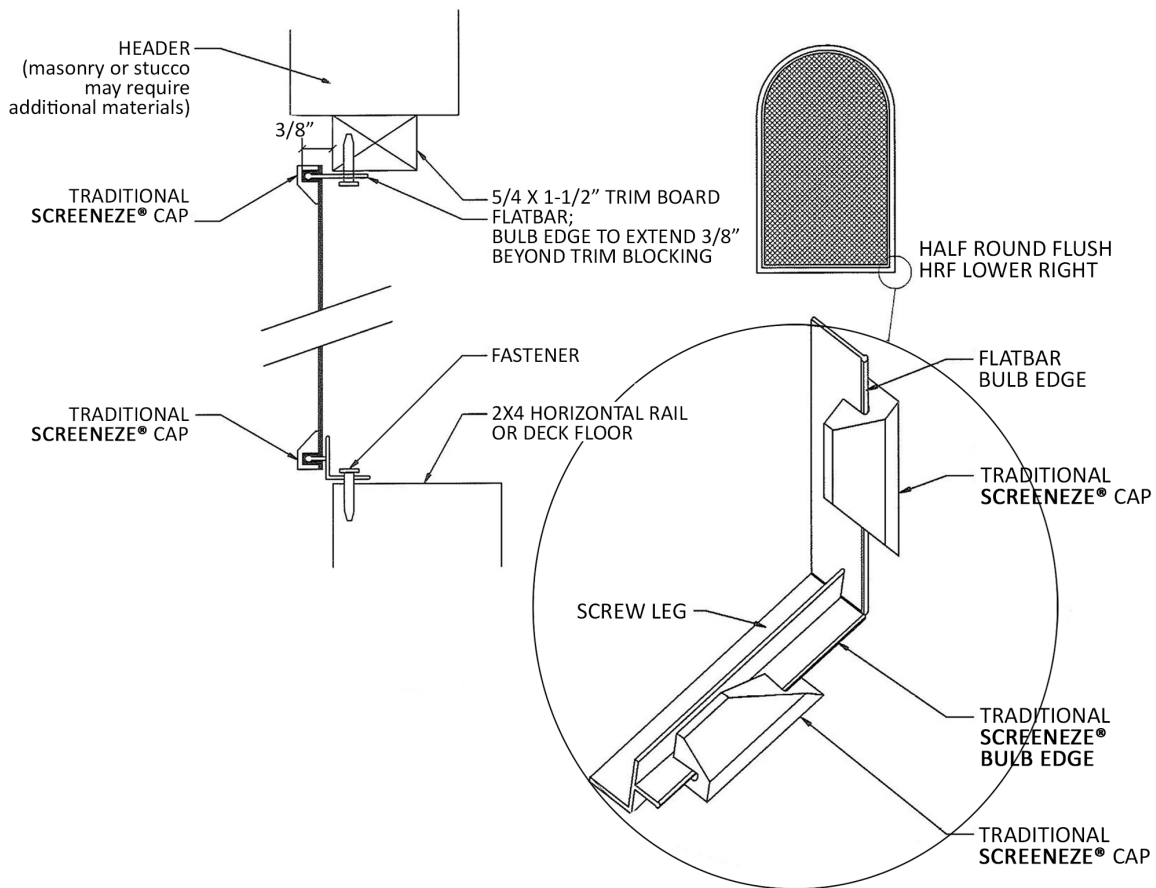


## ARCH SYSTEM | FLATBAR INSTRUCTIONS

### Half Round Exterior Flush Mount

- Fully understand the installation of the Traditional SCREENEZE® application
- FLATBAR installed flush on half round & vertical sides with additional framework
- Traditional SCREENEZE® installed flush with no additional framework on bottom
- Or FLATBAR installed on bottom with additional framework/trim board
- Bulb edge of FLATBAR must align with Traditional SCREENEZE® at corners (see detail)



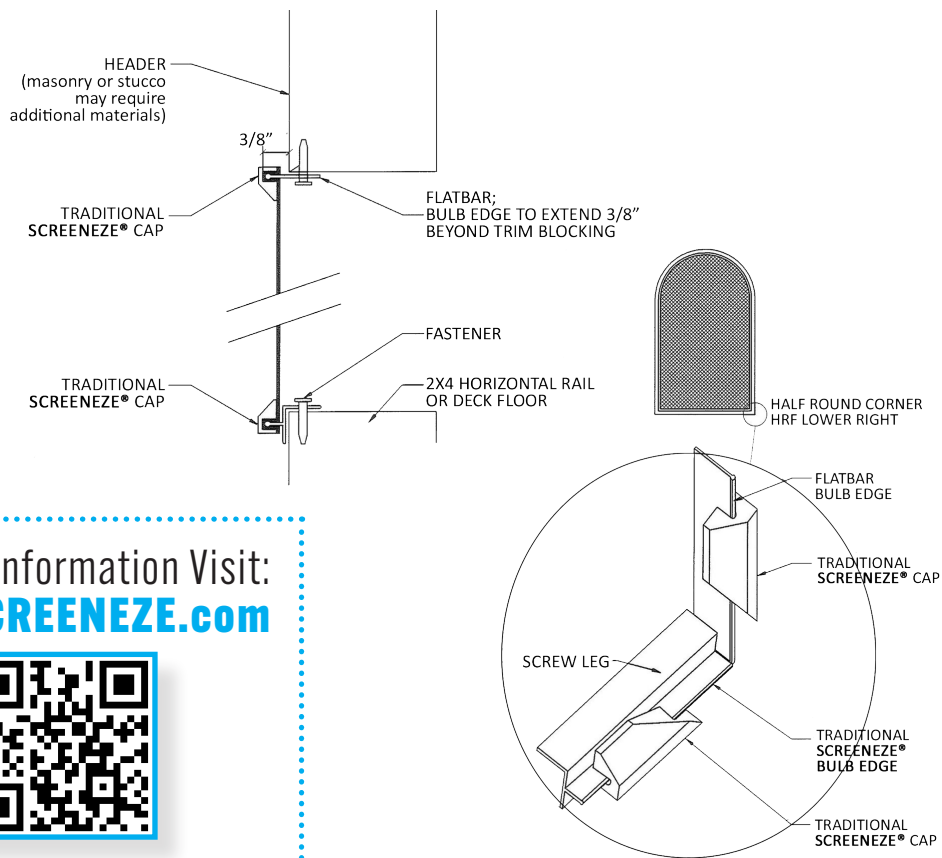
### NOTES

- Section above shown as exterior detail; however same concept can be applied to interior
- When installing an arched panel, follow the same instructions as Traditional SCREENEZE®, however, put the bottom on first, then top, then sides/verticals

## ARCH SYSTEM | FLATBAR INSTRUCTIONS

### Half Round Exterior Corner Mount

- Fully understand the installation of the Traditional SCREENEZE® application
- FLATBAR installed on half round & vertical sides
- Traditional SCREENEZE® or FLATBAR installed on bottom
- Bulb edge of FLATBAR must align with Traditional SCREENEZE® at corners (see detail)



For More Information Visit:  
[www.SCREENEZE.com](http://www.SCREENEZE.com)



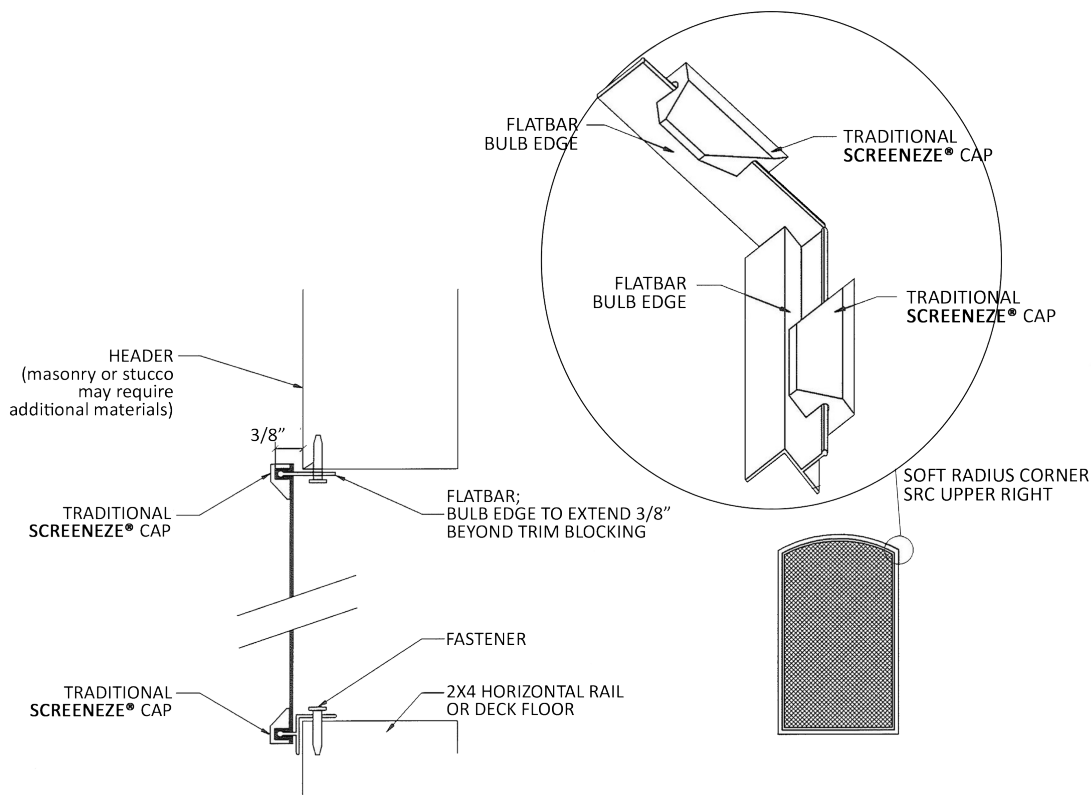
### NOTES

- Section above shown as exterior detail; however same concept can be applied to interior
- When installing an arched panel, follow the same instructions as Traditional SCREENEZE®, however, put the bottom on first, then top, then sides/verticals.

## ARCH SYSTEM | FLATBAR INSTRUCTIONS

### Soft Radius Exterior Corner Mount

- Fully understand the installation of the Traditional SCREENEZE® application
- FLATBAR installed on radius
- Traditional SCREENEZE® installed on bottom and vertical sides
- Bulb edge of FLATBAR must align with Traditional SCREENEZE® at corners (see detail)



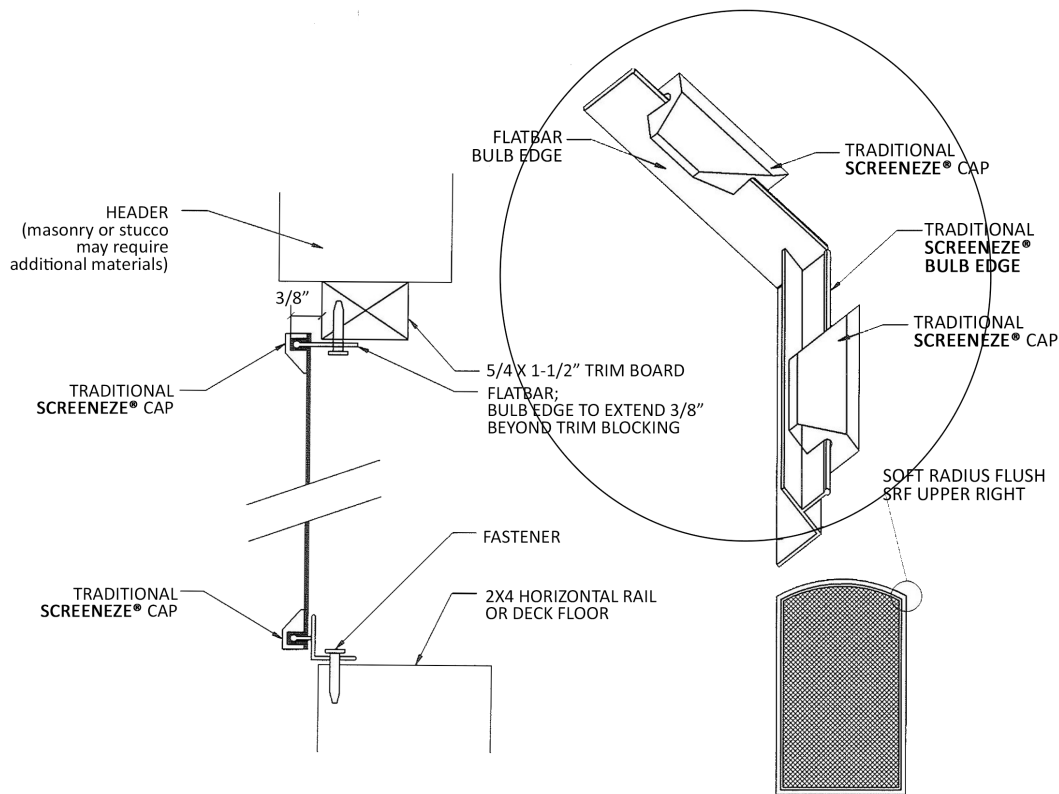
### NOTES

- Section above shown as exterior detail; however same concept can be applied to interior
- When installing an arched panel, follow the same instructions as Traditional SCREENEZE®, however, put the bottom on first, then top, then sides/verticals.
- Traditional SCREENEZE® installed corner mount on verticals & bottom
- Flatbar must align with Traditional SCREENEZE® at corners (see detail above)

## ARCH SYSTEM | FLATBAR INSTRUCTIONS

### Soft Radius Exterior Flush Mount

- Fully understand the installation of the Traditional SCREENEZE® application
- FLATBAR installed flush on soft radius top with additional framework
- Traditional SCREENEZE® installed flush on verticals and bottom
- Bulb edge of FLATBAR must align with Traditional SCREENEZE® at corners (see detail)



### NOTES

- Section above shown as exterior detail; however same concept can be applied to interior
- When installing an arched panel, follow the same instructions as Traditional SCREENEZE®, however, put the bottom on first, then top, then sides/verticals

For More Information Visit:  
[www.SCREENEZE.com](http://www.SCREENEZE.com)

