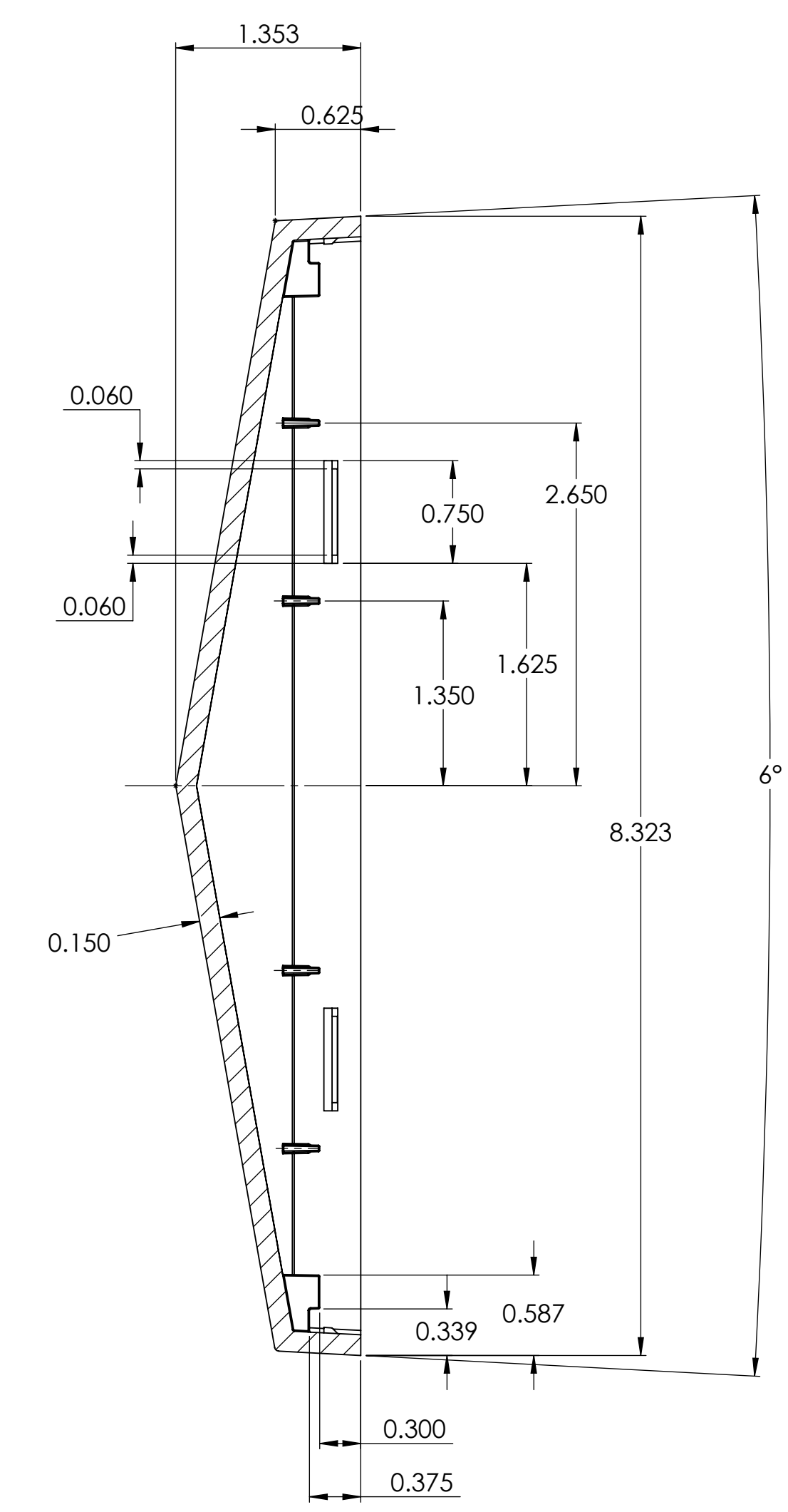
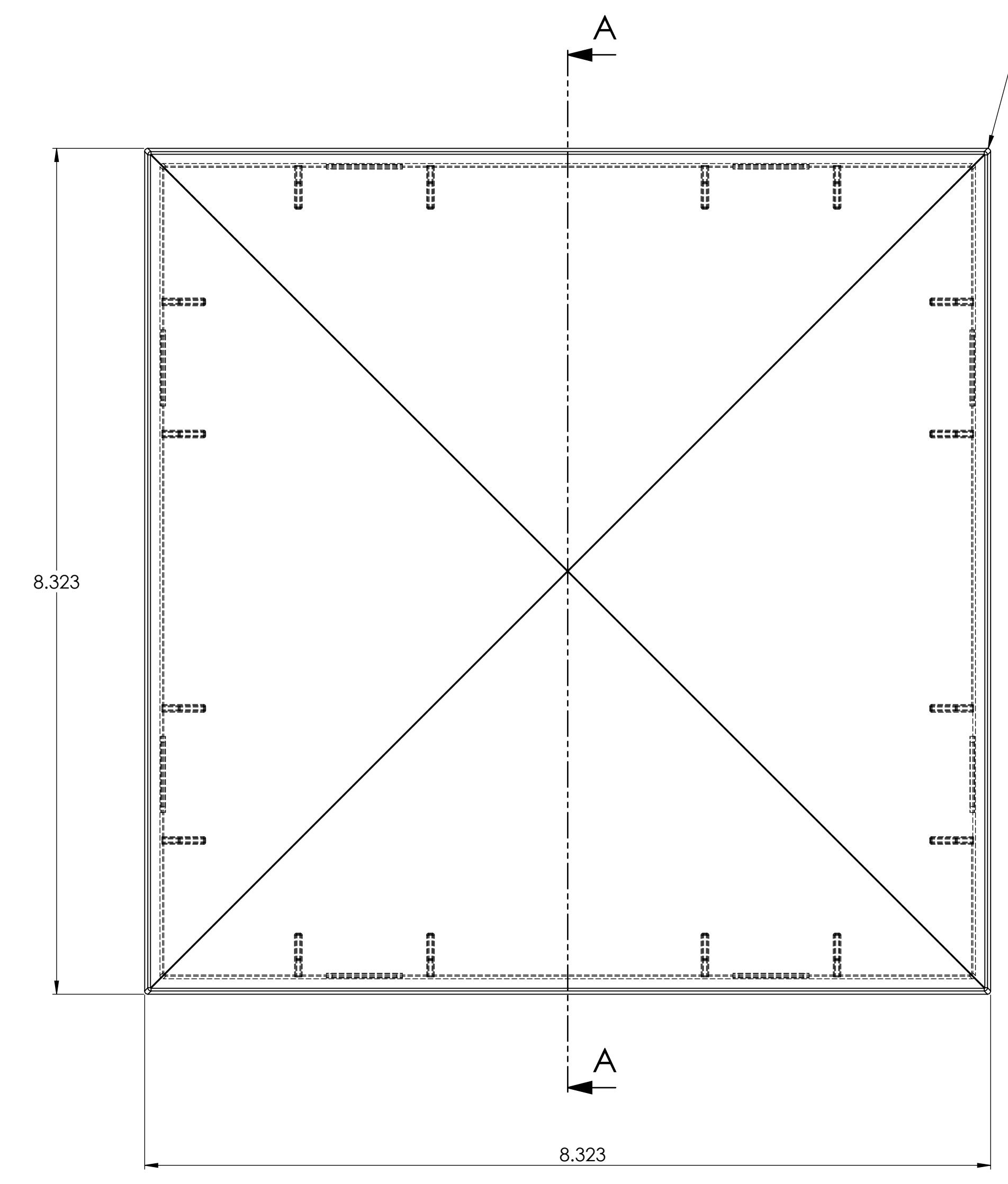
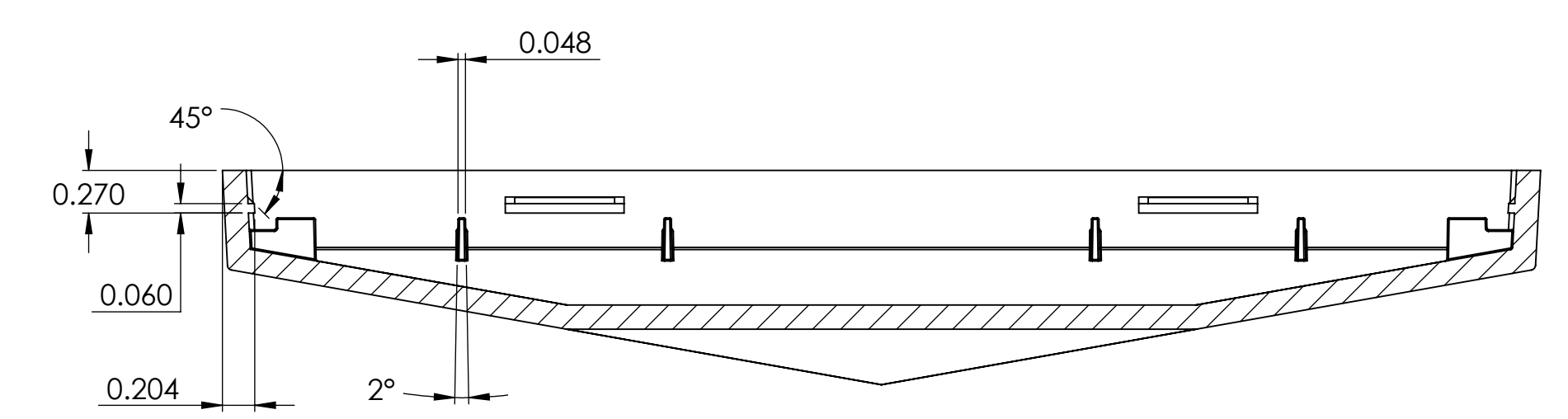
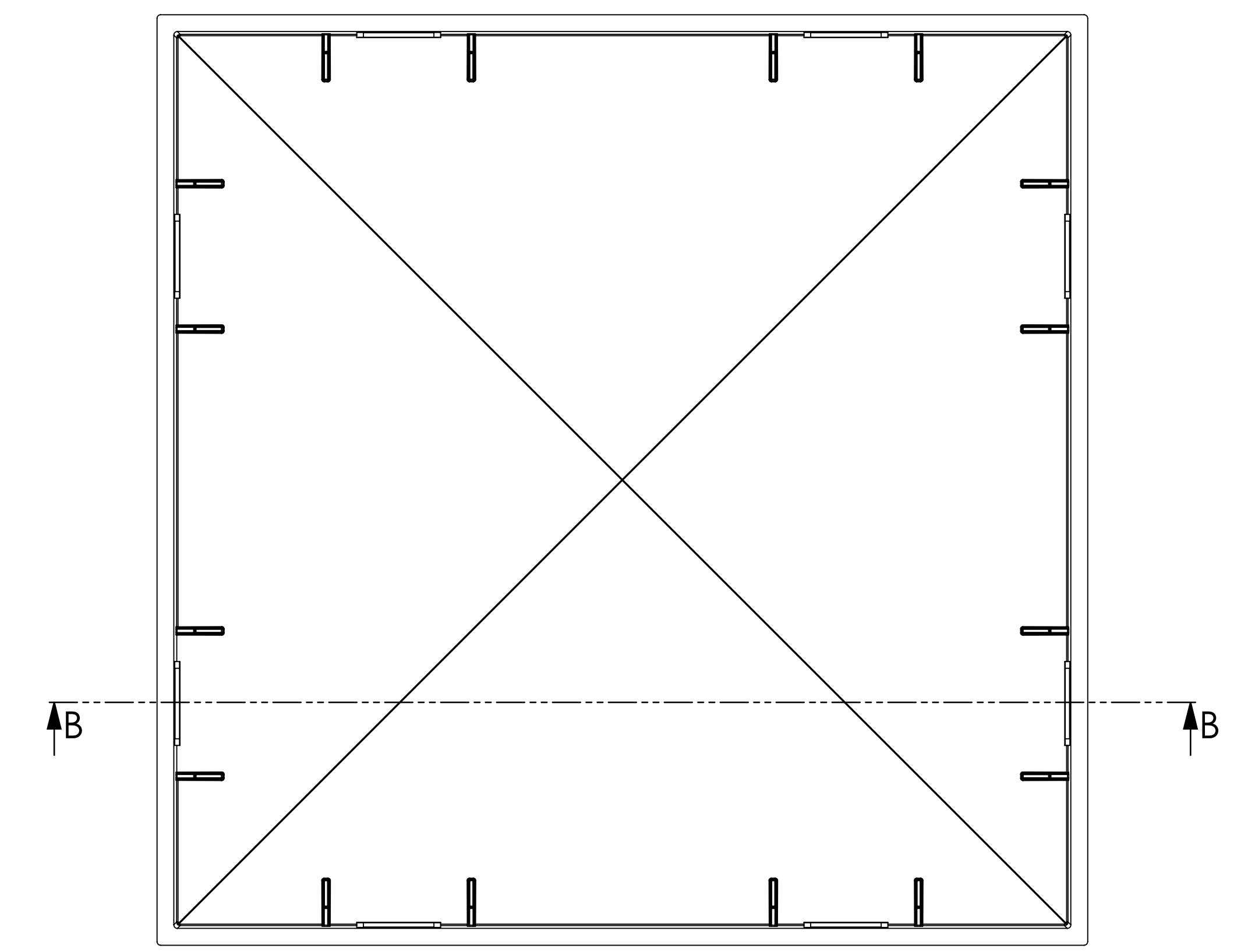


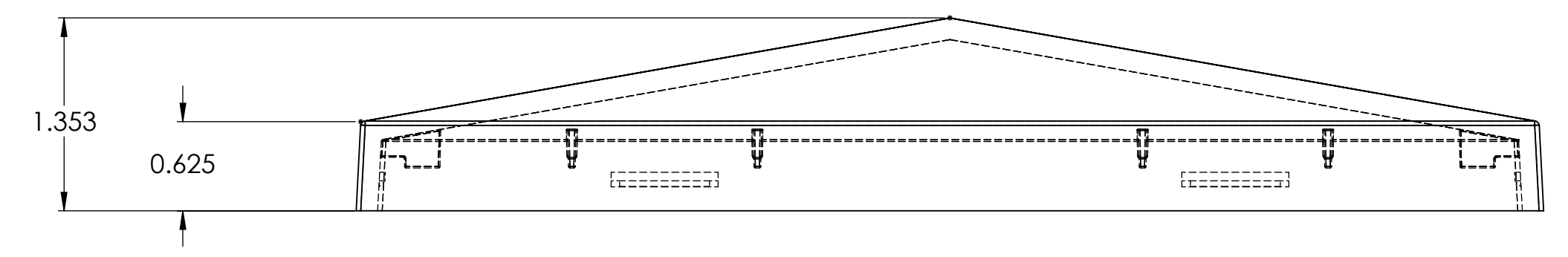
REVISIONS		DATE	APPROVED
ZONE	REV.	DESCRIPTION	



SECTION A-A



SECTION B-B



TOLERANCES UNLESS SPECIFIED FRACTIONAL ± 1/64 ANGULAR ± 1/2° .XX ± .02 .XXX ± .005 .XXXX ± .001			REV A
SHEET DESCRIPTION: AZEK 5.500 PYRAMID CAP LID			THIRD ANGLE PROJECTION
DESIGN: F.LOFIUS	10/1/13	CUSTOMER: AZEK	PART NUMBER:
APPROVED:	MM/DD/YY	SCALE: 1=1	MATERIAL: PVC
RELEASE DATE: MM/DD/YY	SHRINKAGE: N/A	SHEET 1 OF 1	