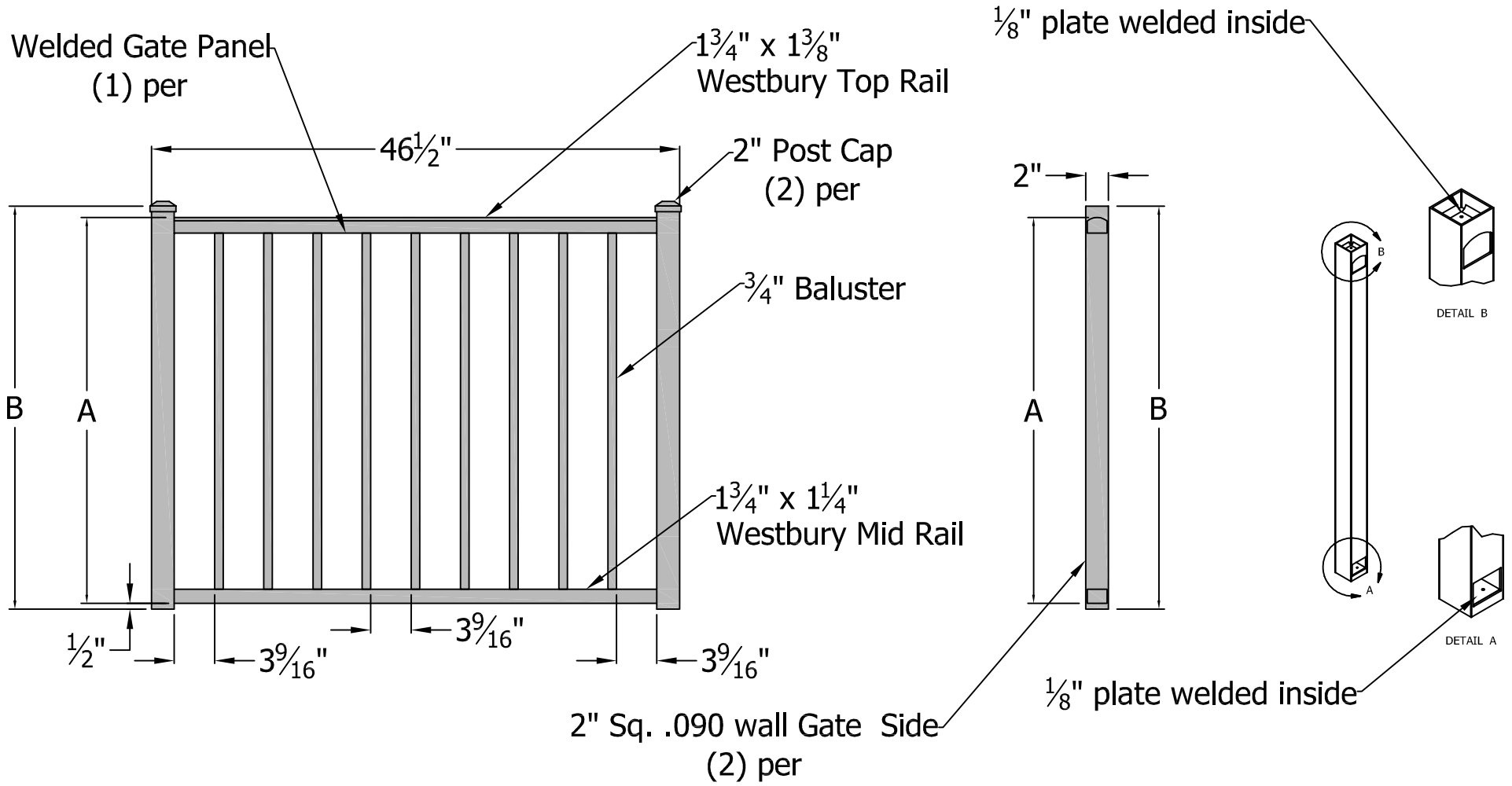


| Nominal Rail Height | Baluster Style | Part # | A   | B    |
|---------------------|----------------|--------|-----|------|
| 36"                 | Square         | 70034  | 34" | 35½" |
| 36"                 | Round          | 72230  | 34" | 35½" |
| 42"                 | Square         | 70036  | 40" | 41½" |
| 42"                 | Round          | 72232  | 40" | 41½" |

| PART NUMBER: |  |            |
|--------------|--|------------|
| REV.         | REVISION                                   | DATE       |
| A            | RELEASE PENDING APPROVAL                   |            |
| B            | Reduced bottom rail height from 1" to 3/8" | 03/29/2016 |
|              |  |            |
|              |  |            |



APPROVED BY:

DATE APPROVED:

4

3

FINISH:



3446 US 6 EAST  
Bremen, IN 46506

2

SHEET SIZE= C

SCALE = 1":1"

STANDARD TOLERANCE:  
.00 ±.01 FRACTIONS:  
.000 ±.005 ±1/16"  
ANG. ±.5°

FIRST USED ON:

DRAWN BY: cm

DATE DRAWN:  
02-16-2016

LOC:  
Z:\Aluminum\Westbury\C10  
Tuscany\Gates

DRAFT:  
20160216-2C

PART NUMBER or STYLE:  
C10\_C101 Gate 48in Wide

Quote requested by:

PART NAME:  
Gate

SHEET OF REV.  
B

1

A

B

C

D