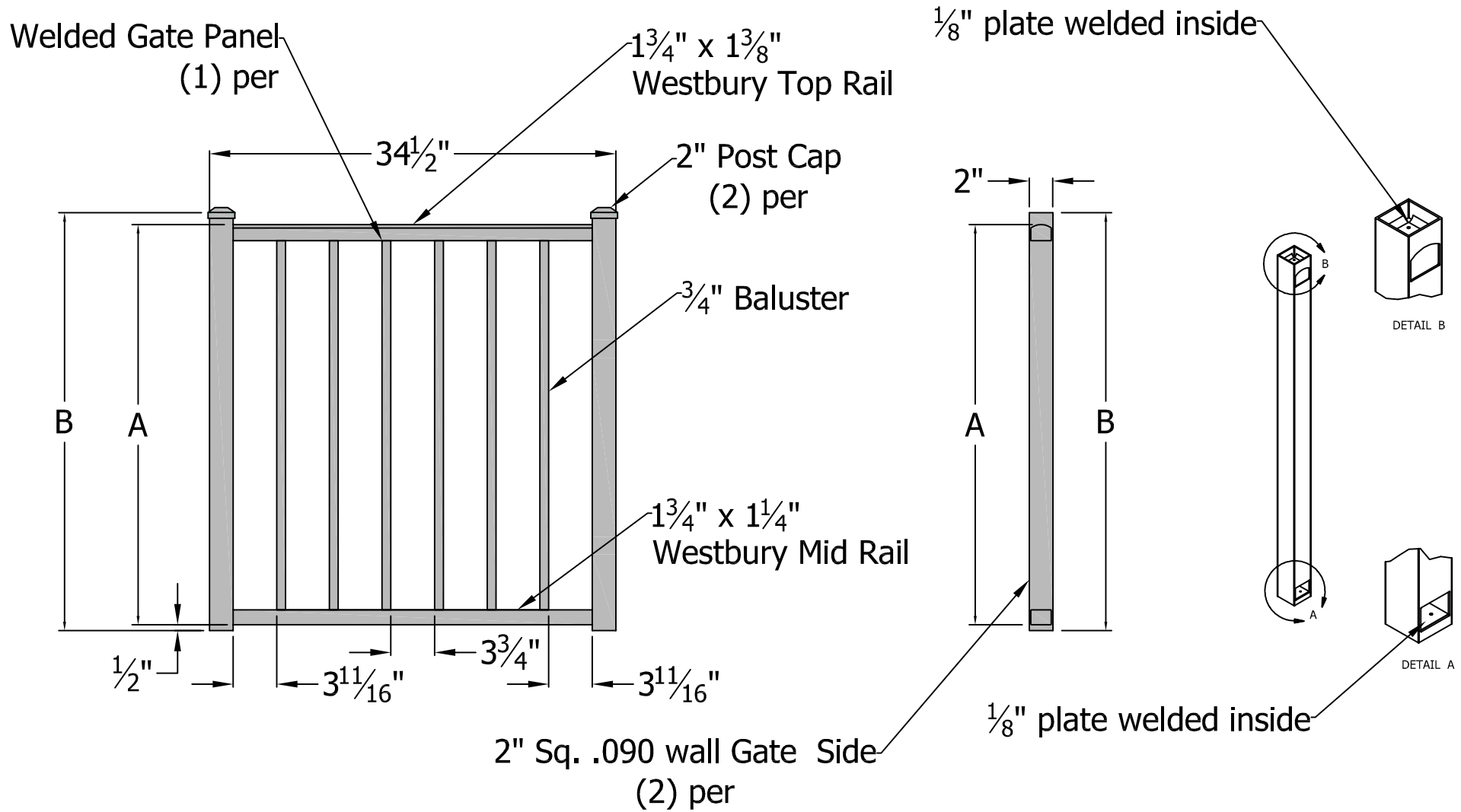


Nominal Rail Height	Baluster Style	Part #	A	B
36"	Square	70033	34"	35½"
36"	Round	72229	34"	35½"
42"	Square	70035	40"	41½"
42"	Round	72231	40"	41½"

PART NUMBER:		DATE
REV. A	RELEASE PENDING APPROVAL	
REV. B	Reduced bottom rail height from 8" to 2"	03/29/2016



APPROVED BY:

DATE APPROVED:

4

3

FINISH:



3446 US 6 EAST  
Bremen, IN 46506

2

SHEET SIZE= C	DRAWN BY: CM	PART NUMBER or STYLE:
SCALE = 1":1"	DATE DRAWN: 02-16-2016	C10_C101 Gate 36in Wide
STANDARD TOLERANCE: .00 ±.01 FRACTIONS: .000 ±.005 ±1/16" ANG. ±.5°	LOC: Z:\Aluminum\Westbury\C10 Tuscany\Gates	Quote requested by:
FIRST USED ON:	DRAFT: 20160216-1C	PART NAME: Gate
		SHEET OF B

1