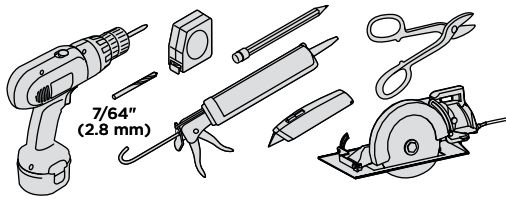


TREX® SIGNATURE™ PANELS

Basic Installation Instructions



TOOLS NEEDED



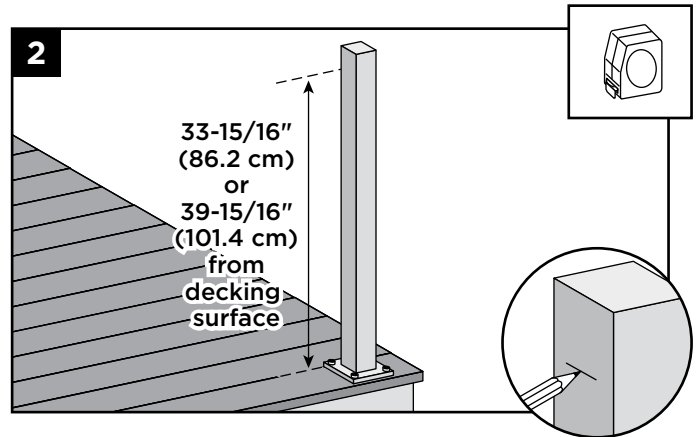
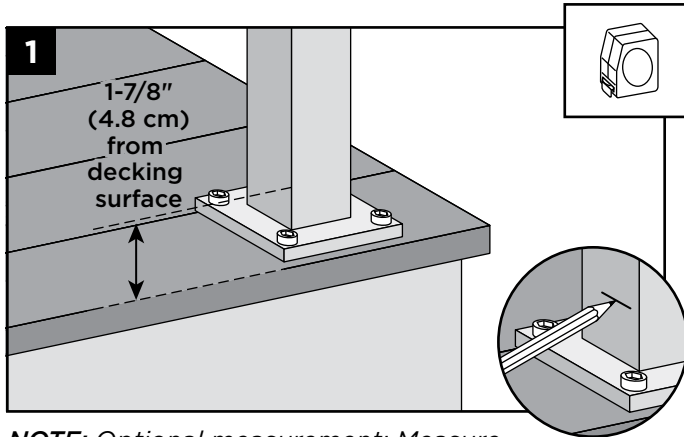
» NOTES:

These are not detailed instructions. Refer to trex.com full installation guide for additional installation methods.

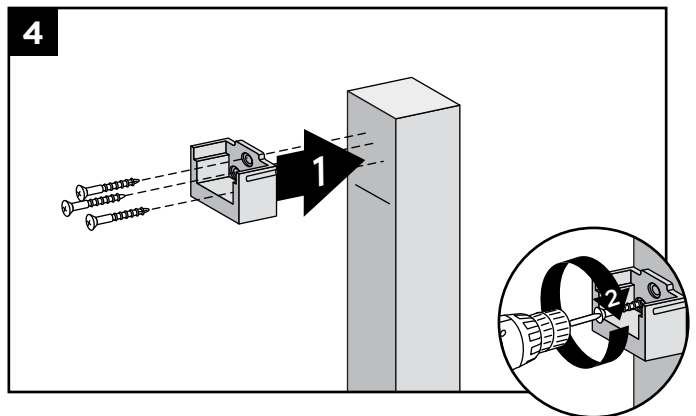
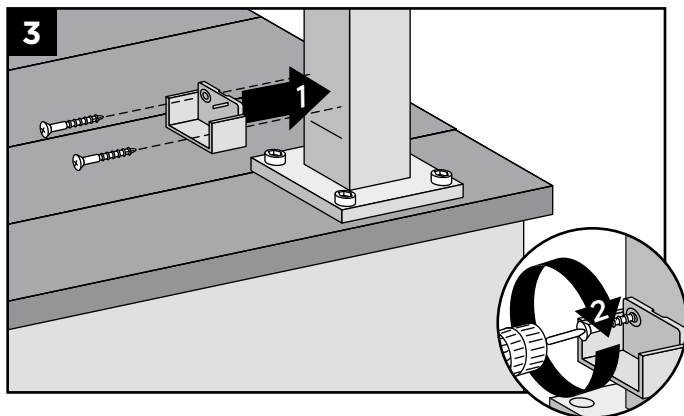
» Assembled Trex® Signature™ Panels **DO NOT** come with foot blocks. You must purchase foot blocks separately (sku BKALFTBLK) (one per panel required on spans greater than 6').

» Assembled Trex® Signature™ Panels **DO NOT** come with brackets and screws. You must purchase the horizontal rail hardware separately (sku XXHZBTMBRKTPNL) (one per panel). Older horizontal rail hardware (sku BKFHBKTAL) will also work when installing panel rails.

Attach Brackets to Posts

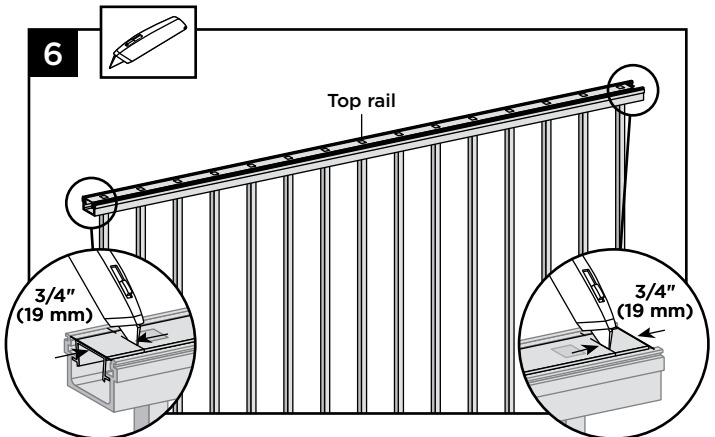
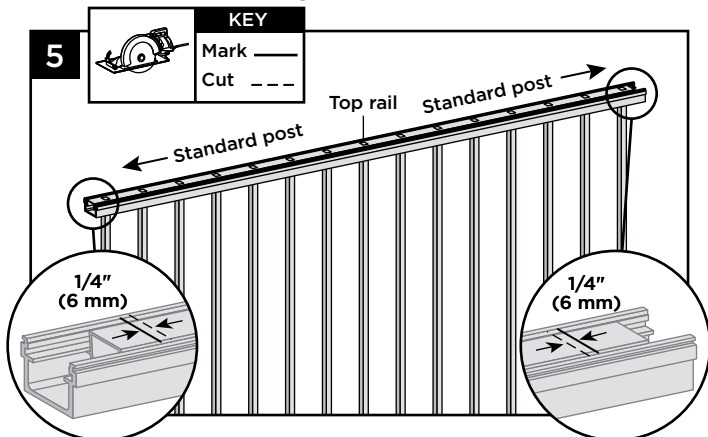


NOTE: Optional measurement: Measure 1-3/8" (3.5 cm) from top of post base plate.



How to Measure and Cut Top Rail for Post-to-Post Configuration

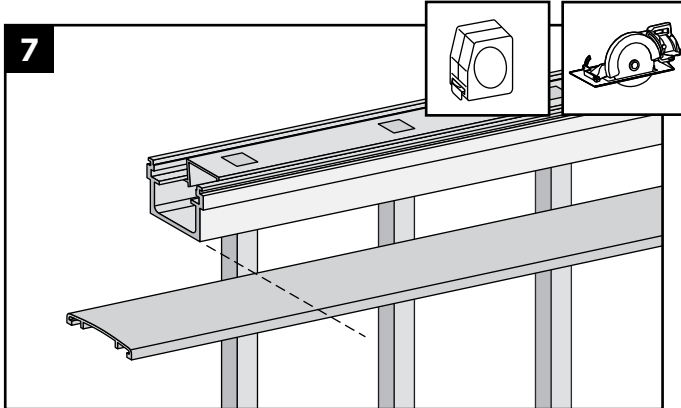
Cutting Rail Insert



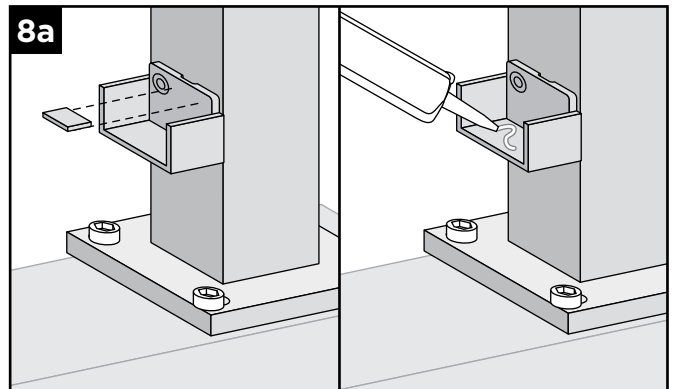
Have Questions?
1-800-BUY-TREX

NOTE: Construction methods are always improving. Please ensure you have the most up-to-date installation instructions by visiting: trex.com

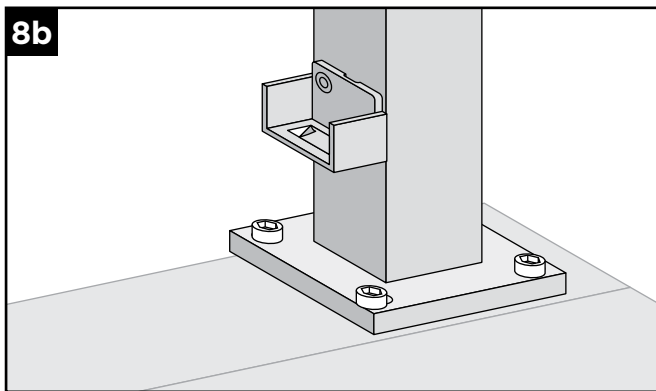
Cutting Top Rail Cover



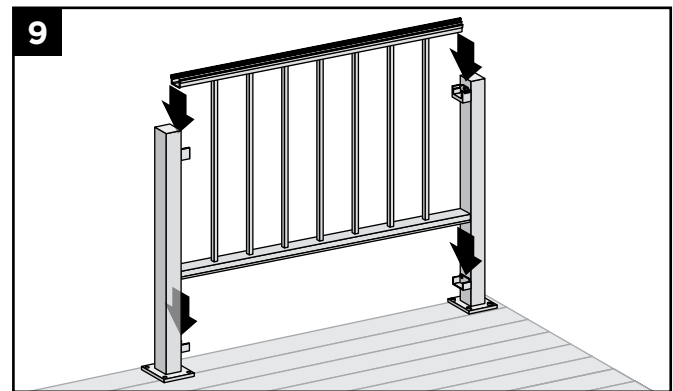
Remove Tab, Add Silicone (tabbed bracket)



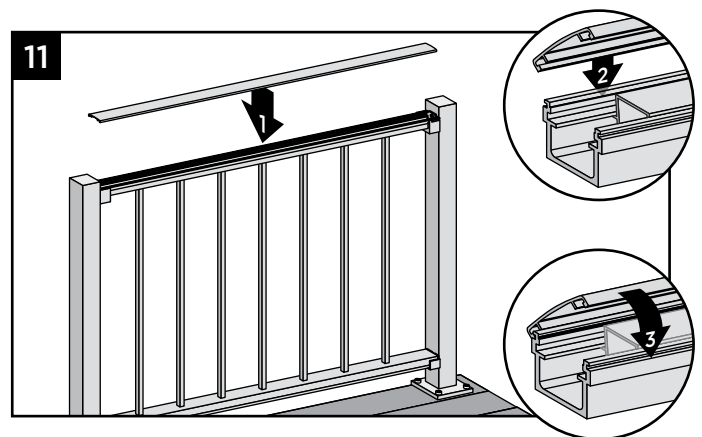
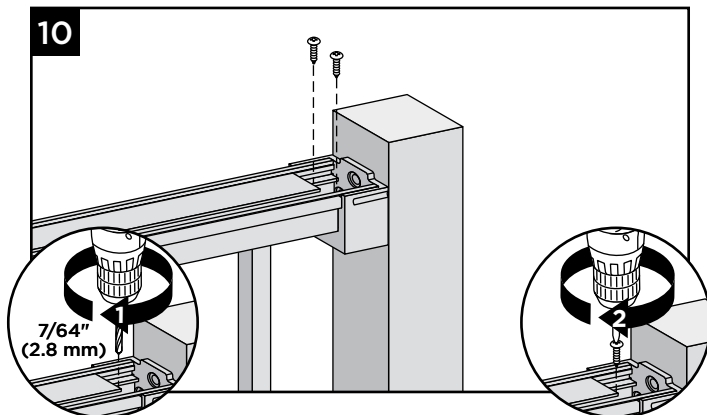
Place Adhesive Strip (tabless bracket)



Install Panel



NOTE: Make sure surface is clean and dry.



GENTLE tapping with a **rubber mallet** may facilitate fastening.

REFER TO FULL INSTRUCTIONS FOR ATTACHMENT OF DIFFERENT RAILING CONFIGURATIONS, ATTACHMENT OF POST CAPS, BRACKET COVERS, SKIRTS, AND FOOTBLOCKS.