

CAP-TOR[®] xd

Metal

Composite/PVC

Deck Screw For Metal Framing



APPLICATION

Color matched screws for attaching composite / PVC decking and cladding to steel or aluminum framing.

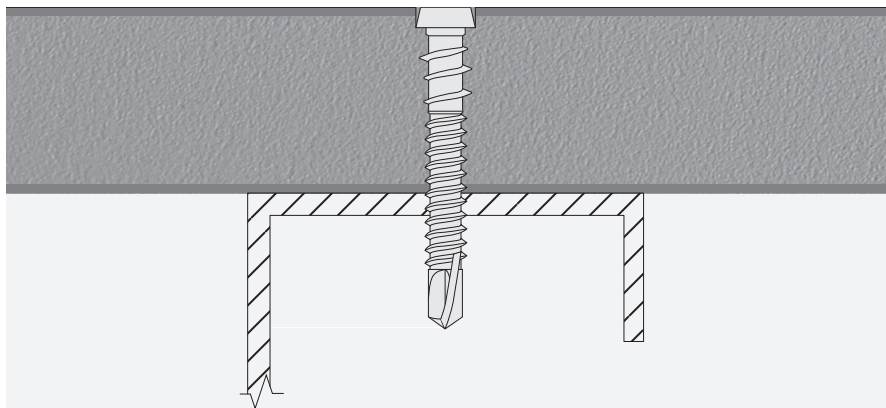
- 10 x 1-5/8": 3/4" to 1" decking material attached to 12 gauge or two 14 gauge joists doubled up.
- 12 x 2-3/8": 1" to 1-1/2" decking material attached to up to 1/4" thick joists.

FEATURES

- Epoxy coated Grade 410 stainless steel
- Sharp drill point for quick installation into metal framing
- Extra deep star drive recess to prevent cam-out
- Undercut head to cut cleanly through the hard outer layer of capstock decking
- Available in a variety of colors

INSTALLATION

- Install flush with decking surface. Do not overdrive.
- Install two screws per joist with a minimum three threads beyond metal framing.
- Predrilling is recommended when fastening within 1" from the end of a deck board. Predrill decking only, not joist.
- Recommended: For a clean and professional finish use the SMART-BIT[®] Depth Setter Tool in combination with screws.



FINISH

Epoxy coated

CORROSION

Exterior use—Approved for use in ACQ and pressure treated lumber.

For salt water or other areas where corrosion is a concern, use Marine Grade 316 Cap-Tor xd fasteners with wood sleeper system.

DRIVE SYSTEM

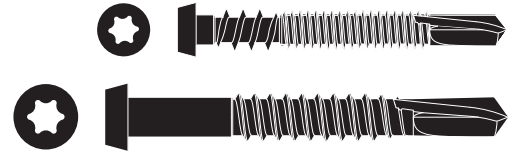
Star drive

AVAILABLE COLORS



CAP-TOR® XD METAL COLORS

LENGTH	AVAILABLE COLORS	
10 x 1-5/8"	410 Stainless	31, 34, 37, 39, 43, 53, 54, 55, 63, 64, 65, 71, 73, 81, 82, 87
12 x 2-3/8"		31, 37, 39, 53, 54, 64, 65, 71, 73, 81



CAP-TOR® XD METAL PACKAGING

LENGTH	FINISH	DRIVE TYPE	COUNT PACKAGING			
			RETAIL PACK	DECK PACK	PRO PACK	BULK
1-5/8"	410 Stainless	T-20	100	350	1750	3500
2-3/8"			75	265	1750	-

BUILDEX® TEKS SELECT™



5/16" Hex Washer Head: 10-16 x 3/4"

For all steel-to-steel and bracket connections.

Teks Select™ is a trademark of ITW Buildex® and Illinois Tool Works, Inc. Teks Select™ is manufactured by ITW Buildex® and packaged and distributed by Starborn Industries.

