

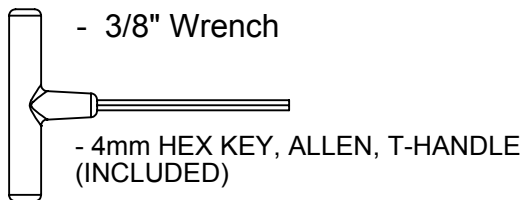


All Weather Furnishings

Models: RT236, RCT236, RRT236, RBT236

- (1) Table top
- (4) Leg
- (2) Foot
- (2) Brace
- (1) Umbrella Brace
- (1) Hardware pack

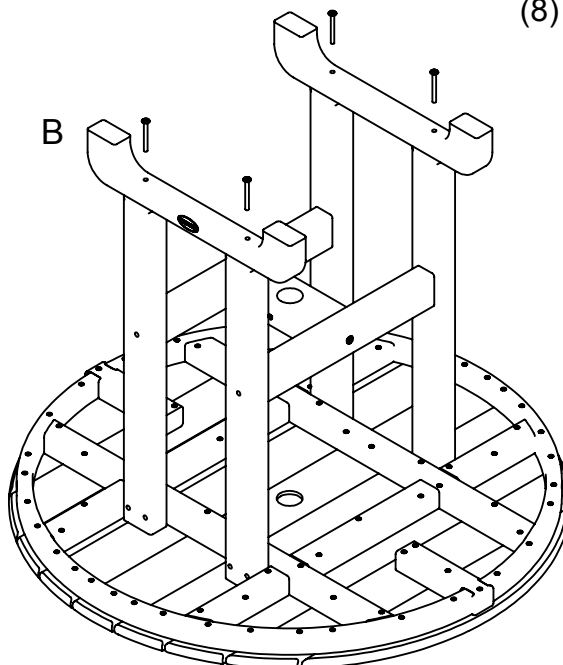
### TOOLS NEEDED



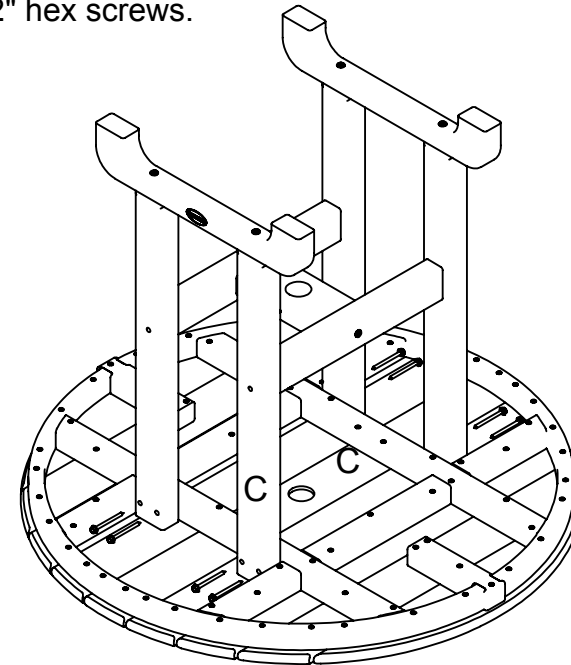
Qty.	Description
------	-------------

- |   |  |
|---|--|
| 1 | A - 1/4-20 X 1-1/2 WAFER SHCS<br>FINE THREAD |
| 4 | B - 1/4-20 X 2-1/4 WAFER SHCS<br>FINE THREAD |
| 8 | C - 14 X 2.50 HEX WASHER T-A ALCHM           |
| 6 | D - .27 X 3 WAFER SOCKET "A"                 |

**Step 1**  
Attach feet to legs using  
(4) 2 1/4" Chair bolts (*fine thread*)



**Step 2**  
Lay the table top on a flat surface.  
Attach the leg assemblies to the table top using  
(8) 2 1/2" hex screws.



**Step 3**  
Attach leg braces using  
(4) 3" screws

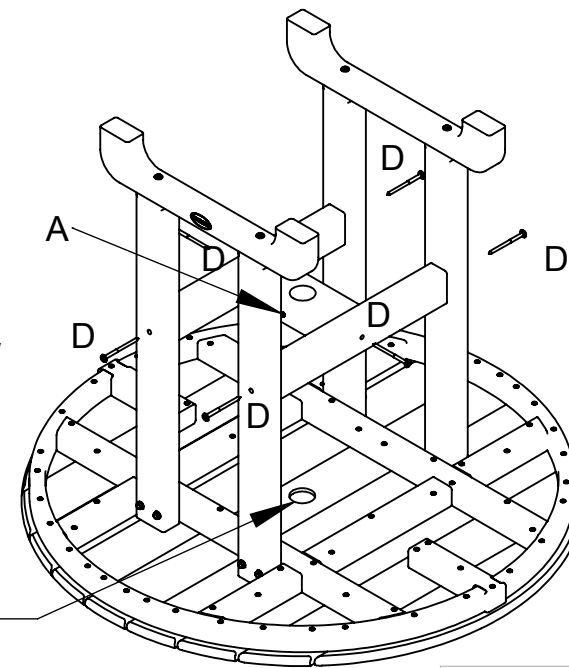
Attach umbrella brace to  
the leg braces using (2) 3" screws.

Install 1 1/2" bolt into threaded insert on  
the umbrella brace.

*\*Please note: umbrella support optional,  
can be removed if necessary to fit  
umbrella stand*

**Step 4**  
Set table upright and tighten all bolts

Removable table plug  
included in table.



# POLYWOOD®

*All Weather Furnishings*

Join the POLYWOOD® Community

*Share in the love of outdoor living, recycling, and more...*



POLYWOOD



@POLYWOODINC



[youtube.com/polywood](https://youtube.com/polywood)



POLY-WORLD  
Blog



POLYWOOD



To view our full warranty, please visit the warranty page on our website at [polywoodinc.com/resources](https://polywoodinc.com/resources).

If you have questions or concerns regarding assembly instructions or missing parts, please contact us at (877) 457-3284 or email [support@polywoodinc.com](mailto:support@polywoodinc.com)