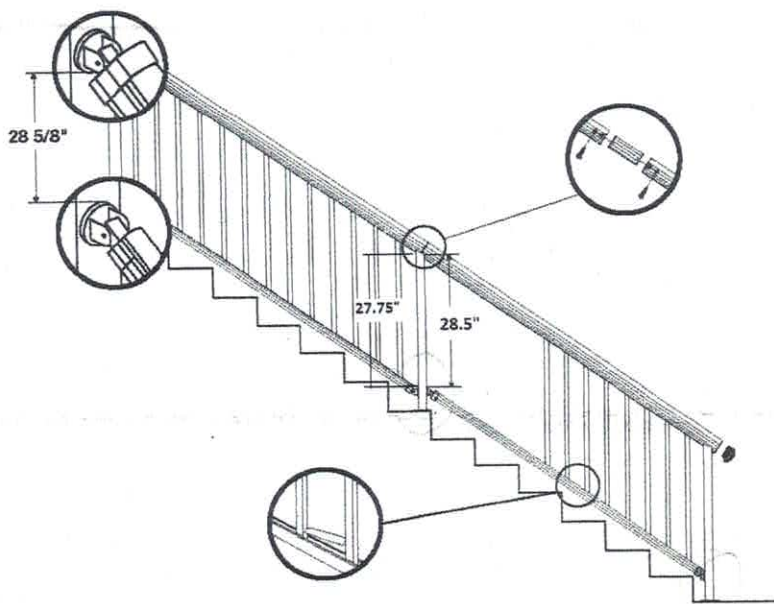


Installing ILSP (in-line stair post) at bottom of stairs. Begin by mounting the bottom stair post on the bottom tread of the stairs. The post should be mounted in a position to achieve 34-36" railing height measured vertically from the stair tread nosing to top of top rail. On the bottom stair post, measure down 27.75" from the top of the post and mount the bottom angle bracket with the top of the backing plate in this position. Install the bottom angle bracket on the top stair post in a position to keep the bottom rail parallel with the angle of the stairs. Mount the bottom of the top angle bracket backing plate on the top stair post 28 5/8" apart from the top of the bottom angle bracket backing plate. Measure from the inside of the top angle bracket on the top stair post to 2" past the bottom stair post and cut the top rail. Install the top rail as shown in diagram.



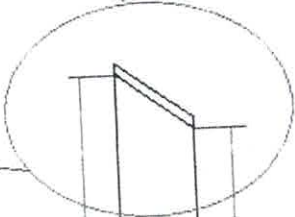
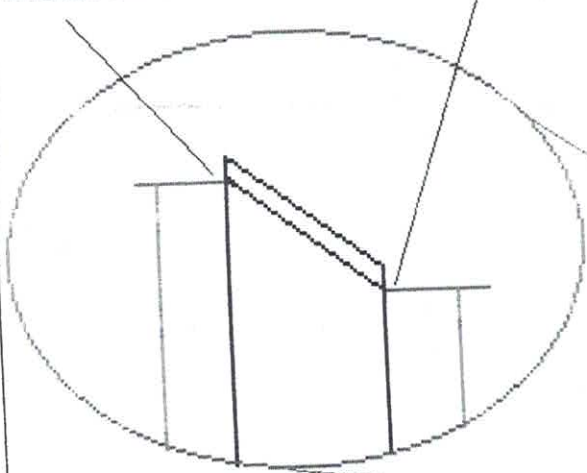
Installing ILSP (in-line stair post) as a mid post and using connecting splice. When installing longer stair runs or when connecting the rails using the connecting splice, a mid post is required. A top rail splice can be used to join top rails in order to accommodate longer stair runs.

To splice the top rail, first tap the two piece splice 3" into the first top rail and secure with screw. Then tap second top rail onto splice until the two rails meet and secure the second rail with screw.

Begin by mounting the bottom stair post on the bottom tread of the stairs. The post should be mounted with the outside lip of the base plate within 1/2" to 1 1/2" of the stair tread nose in order for the proper stair railing height to be achieved. On the bottom stair post, measure down 27.75" from the top of the post and mount the bottom angle bracket with the top of the backing plate in this position. Install the bottom angle bracket on the top stair post in a position to keep the bottom rail parallel with the angle of the stairs. Mount the bottom of the top angle bracket backing plate on the top stair post 28 5/8" apart from the top of the bottom angle bracket backing plate. Measure from the inside of the top angle bracket on the top stair post to 2" past the bottom stair post and cut the top rail so that the join is in the middle of the section (trimming both ends of joined rail will be required). Install the top rail in the top bracket and into the grooves on the bottom stair post as shown in diagram. Position the mid stair post as close to the join (mid span of stair run) as possible and mount to step and fasten to the top rail. If installing stair glass, re insert plastic inserts now. Measure down from the top of the mid stair post and mount bottom angle brackets with the top of the backing plates as shown above. Measure between the bottom angle brackets and cut the bottom rails to fit. Install bottom rail support leg under the bottom rail in the center of each section. Tap end cap in into top rail and the bottom of the stairs. Pickets or glass can now be installed in the stair railing.

NOTE: DISTANCE IS MEASURED FROM THE TOP OF 2.25" POST EXTRUSION. DO NOT INCLUDE WELDED ON FLANGE THAT FITS INTO TOP RAIL

BOTTOM ANGLE BRACKET BACKING PLATE POSITION BASED ON STAIRS THAT ARE 34-36 DEGREES.



27.75"

28.5"

