



All Weather Furnishings

Model: PST48

**Step 1**

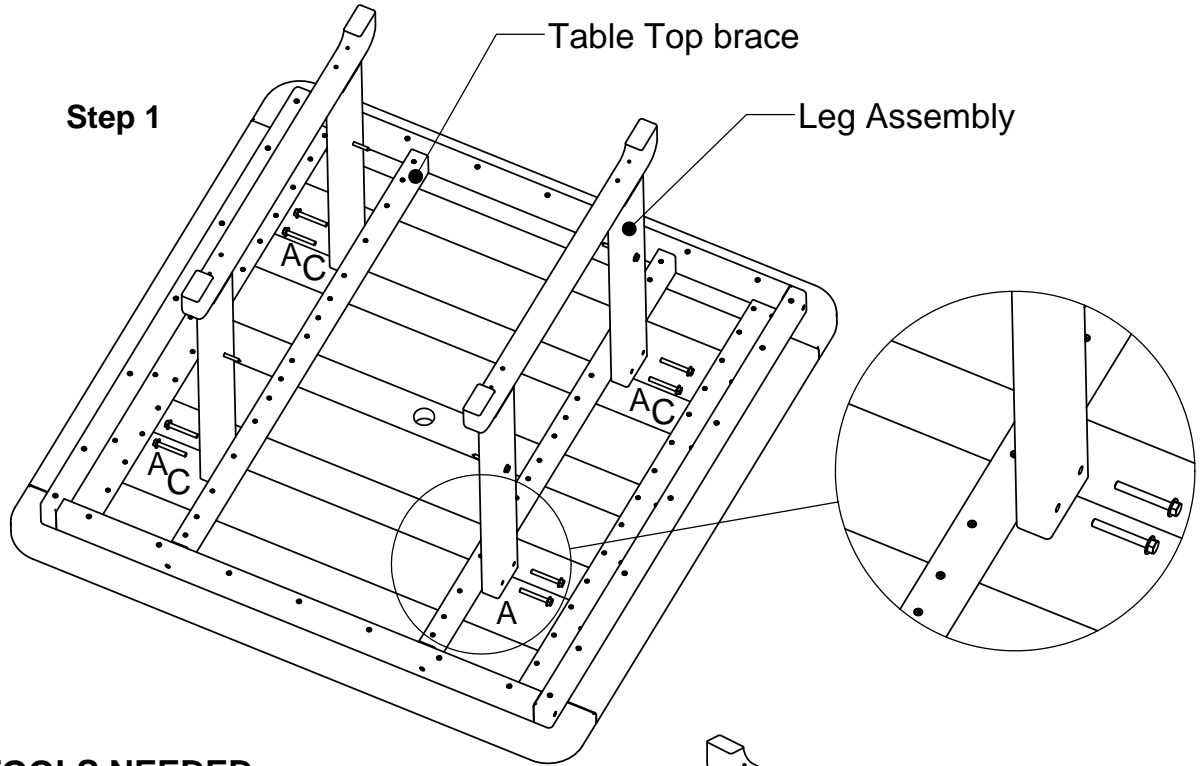
Lay Table top upside down on a flat surface and attach Leg assemblies to Table top using (8) 2-1/2" Hex Bolts and Washers. Do not tighten.

**Step 2**

Attach Braces to Leg assemblies using (4) 3" screws and washers.

**Step 3**

Set table upright and tighten all bolts



Qty. Description

8 A - 5/16-18 X 2 1/2 HEX CAP SCREW

4 B - 1/4 X 3 HEX LAG SCREW

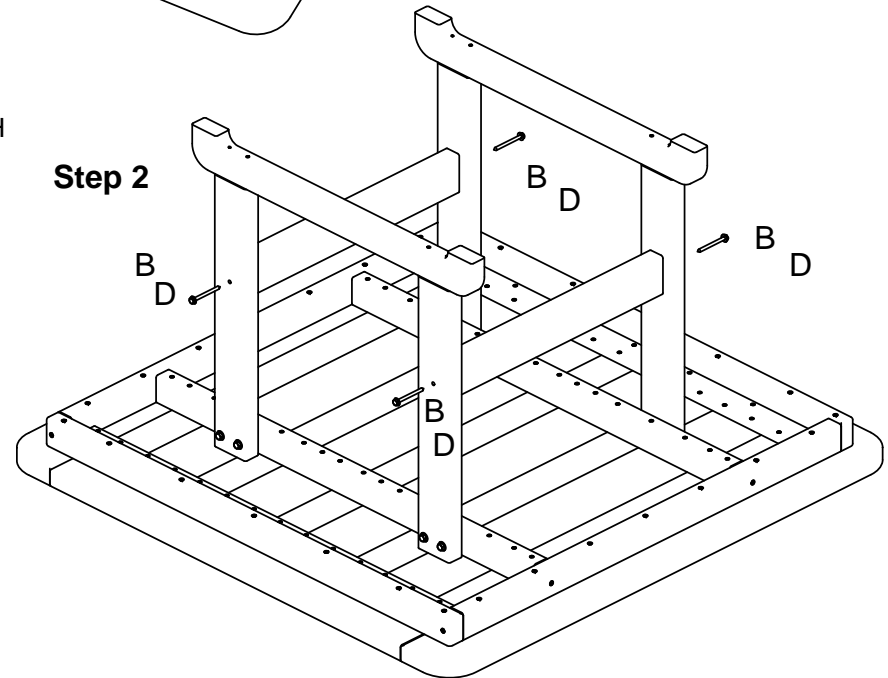
8 C - 5/16 X 3/4 OD FLAT WASHER

4 D - 1/4 FLAT WASHER

**TOOLS NEEDED**

- 1/2" SOCKET OR WRENCH
- 7/16" SOCKET OR WRENCH

**Step 2**



# POLYWOOD®

*All Weather Furnishings*

Join the POLYWOOD® Community

*Share in the love of outdoor living, recycling, and more...*



POLYWOOD



@POLYWOODINC



[youtube.com/polywood](https://youtube.com/polywood)



POLY-WORLD  
Blog



POLYWOOD



To view our full warranty, please visit the warranty page on our website at [polywoodinc.com/resources](https://polywoodinc.com/resources).

If you have questions or concerns regarding assembly instructions or missing parts, please contact us at (877) 457-3284 or email [support@polywoodinc.com](mailto:support@polywoodinc.com)