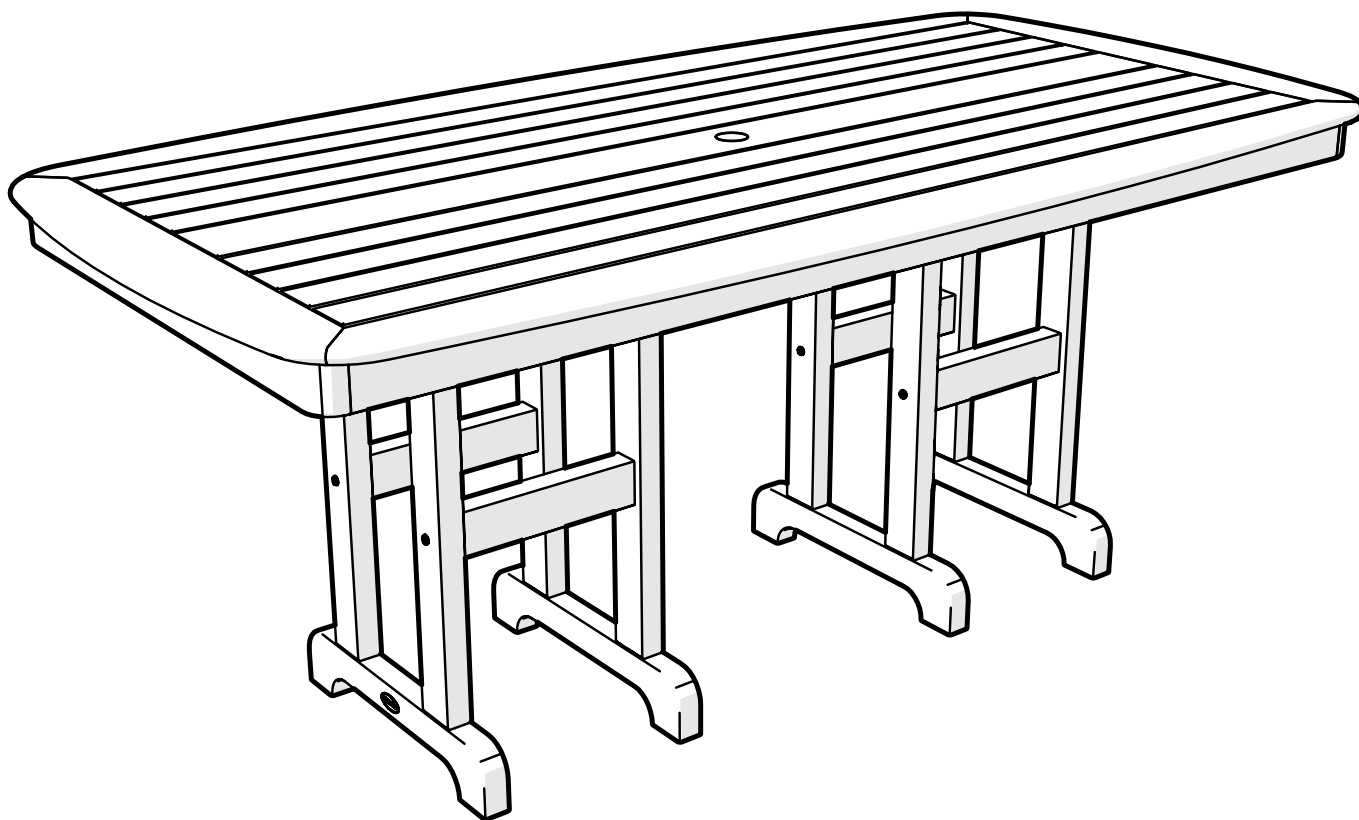


NCT3772

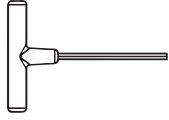
Nautical 37" x 72" Dining Table *Assembly Instructions*



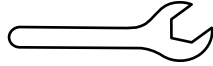


To watch a video of this assembly,
visit [youtube.com/polywood](https://www.youtube.com/polywood)

TOOLS

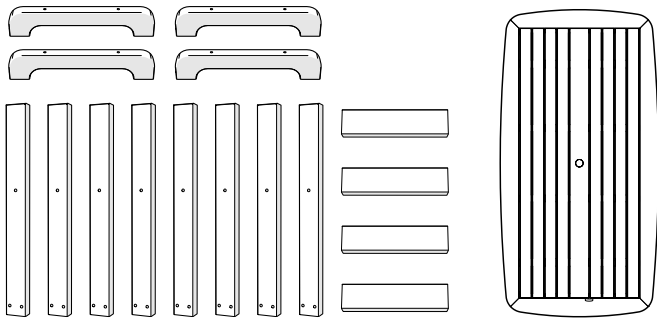


4mm T-handle
Hex Key (included)

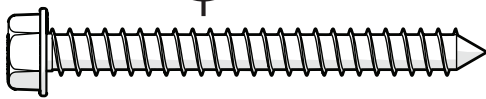


3/8" Wrench
(not included)

PARTS

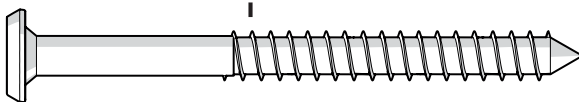


A x 16



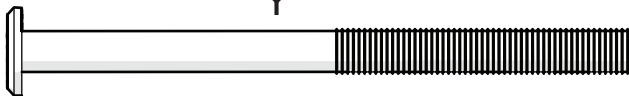
14 X 2.50 HEX WASHER T-A ALCHM

B x 8



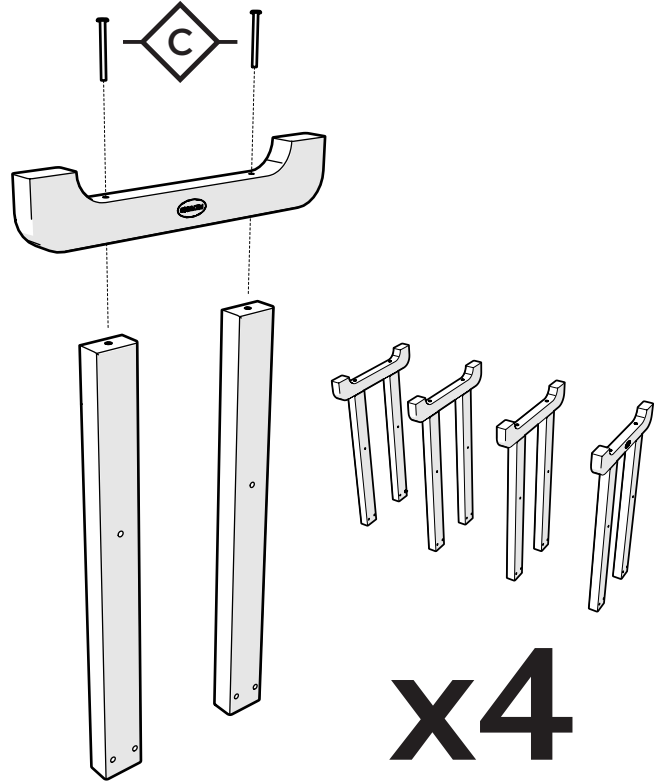
.27 x 3 SOCKET WAFER A

C x 8

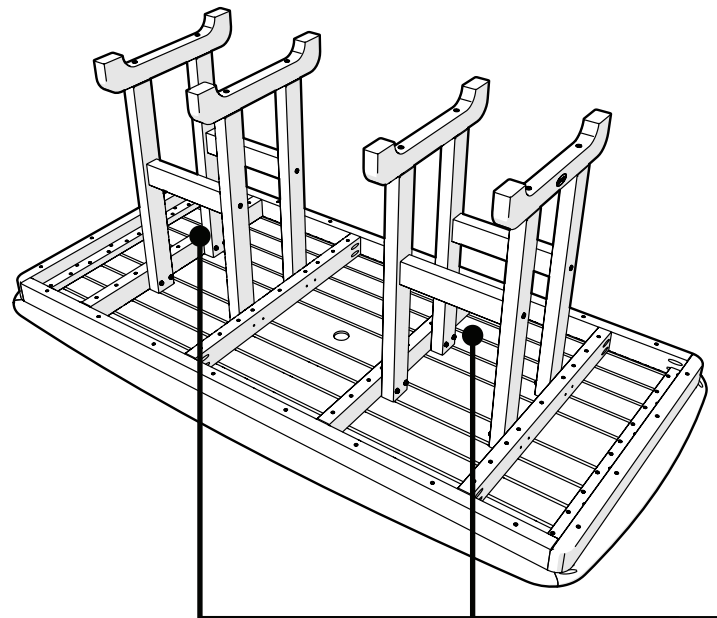


1/4-20 x 3-1/4 WAFER SHCS

1



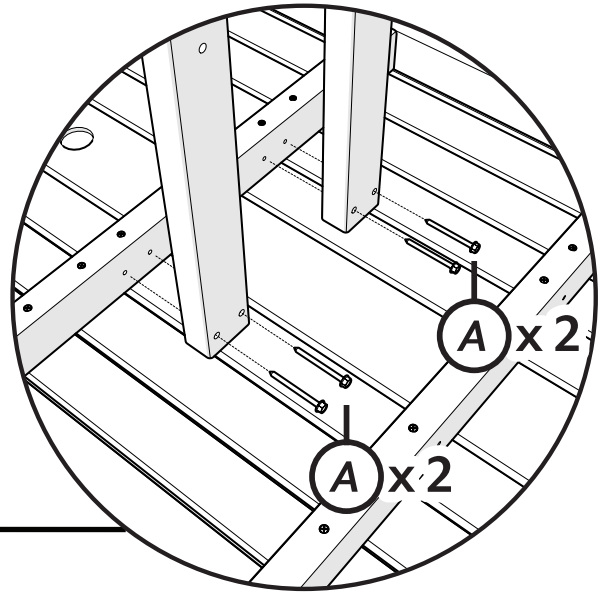
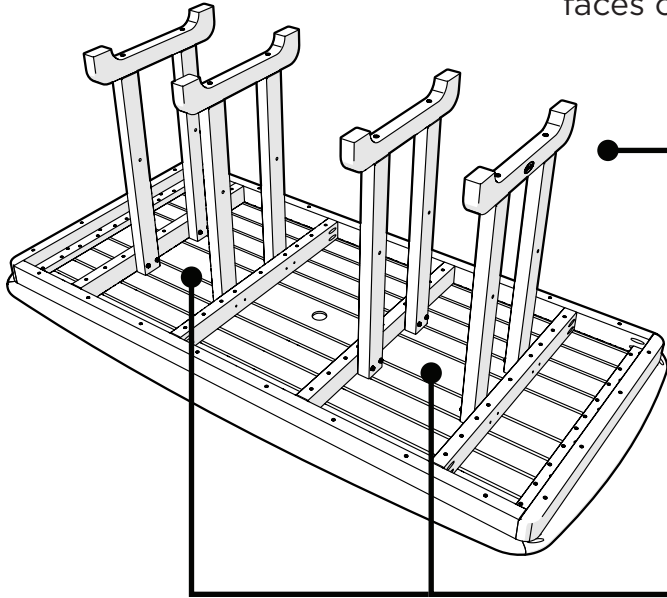
3



Something missing? Call (877) 457-3284

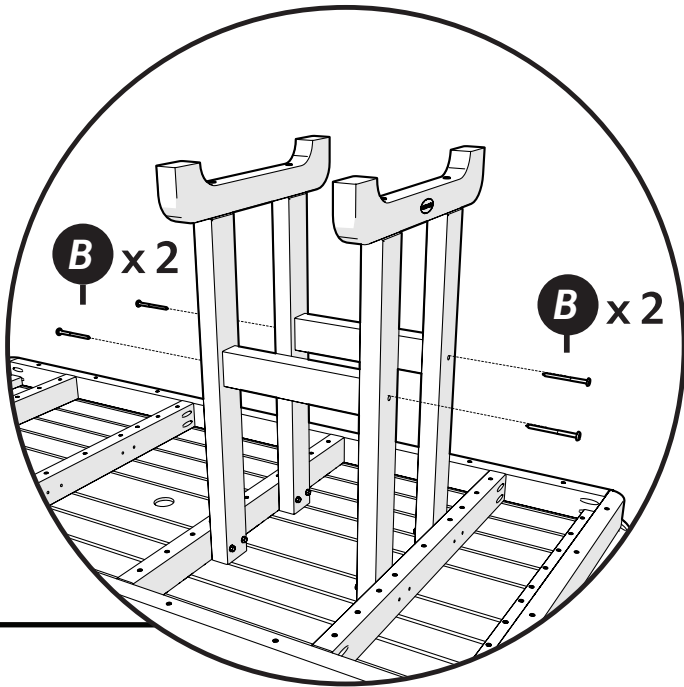
2

Make sure label
faces outwards



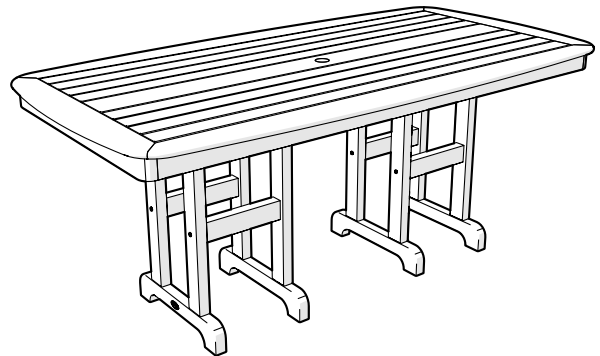
NOTE: Do not over-tighten

x4



x2

Removable table plug
included in table



POLYWOOD®

All Weather Furnishings

Join the POLYWOOD® Community
Share in the love of outdoor living, recycling, and more...



POLYWOOD



@POLYWOODINC



[youtube.com/polywood](https://www.youtube.com/polywood)



POLY-WORLD
Blog



POLYWOOD

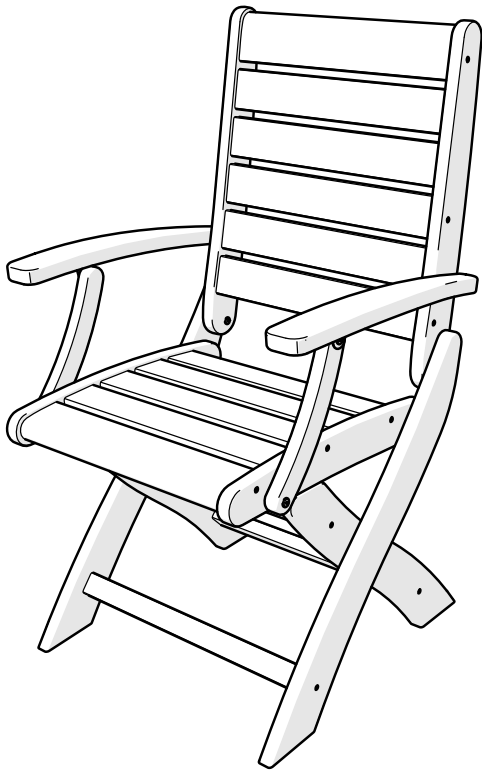


To view our full warranty, please visit the warranty page on our website at polywoodinc.com/resources.

If you have questions or concerns regarding assembly instructions or missing parts, please contact us at (877) 457-3284 or email support@polywoodinc.com

POLYWOOD

Assembly Instructions



NO ASSEMBLY REQUIRED

1900
Signature
Folding Chair



..... **20-Year Warranty**

To view our full warranty, please visit
polywoodoutdoor.com/warranty

Easily register your product using
one of the methods below:

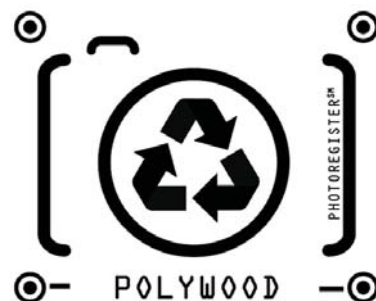
Text POLYWOOD to 71403
Receive a link to register online

— or —

Register on our website
register.polywoodoutdoor.com

— or —

Send a Picture
Take a photo of the icon below and
text it to 71403 (US only)





..... Having Trouble?

If you have questions or concerns regarding assembly instructions or missing parts, please contact us at **(833) 665-6300** or email support@polywoodoutdoor.com



..... Share your space

We love to see where our furniture ends up — snap a pic and share it on Instagram or Facebook!
#polywood



..... Watch & Learn

For assembly videos and more, visit [youtube.com/polywood](https://www.youtube.com/polywood)



..... Cleaning Tips

Even POLYWOOD gets dirty — here are some ways to help keep it clean:

For a quick clean:

Simply wipe down with soap and water.

For a deeper clean:

You'll need:

- » 1/3 bleach and 2/3 water solution
- » clean cloth
- » soft bristle brush

Wipe on solution with your cloth and let it sit on the lumber for a few minutes (this will not affect the color). Then, loosen any dirt and debris that may catch in surface grooves with a soft bristle brush; hose down to rinse.