



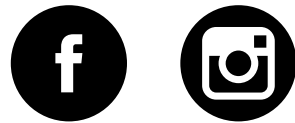
# POLYWOOD

## Assembly Instructions



### Having Trouble?

If you have questions or concerns regarding assembly instructions or missing parts, please contact us at (833) 665-6300 or email [support@polywoodoutdoor.com](mailto:support@polywoodoutdoor.com)



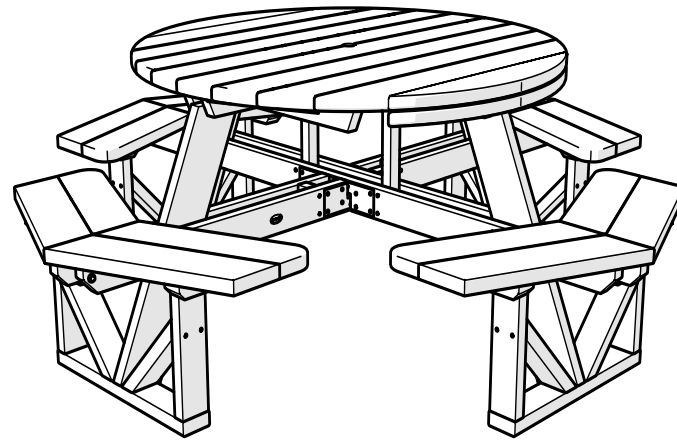
### Share your space

We love to see where our furniture ends up — snap a pic and share it on Instagram or Facebook!  
**#polywood**



### Watch & Learn

For assembly videos and more, visit [youtube.com/polywood](https://youtube.com/polywood)



### 20-Year Warranty

To view our full warranty, please visit [polywoodoutdoor.com/warranty](https://polywoodoutdoor.com/warranty)

Easily register your product using one of the methods below:

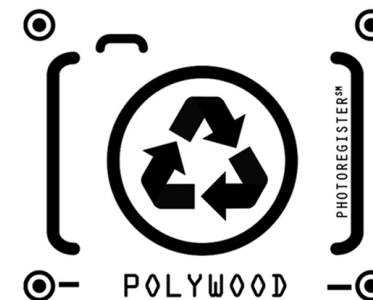
**Text POLYWOOD to 71403**  
Receive a link to register online

— or —

**Register on our website**  
[register.polywoodoutdoor.com](https://register.polywoodoutdoor.com)

— or —

**Send a Picture**  
Take a photo of the icon below and text it to 71403 (US only)



### Cleaning Tips

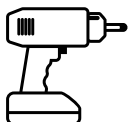
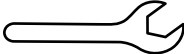


Even POLYWOOD gets dirty — here are some ways to help keep it clean:

**For a quick clean:**  
Simply wipe down with soap and water.

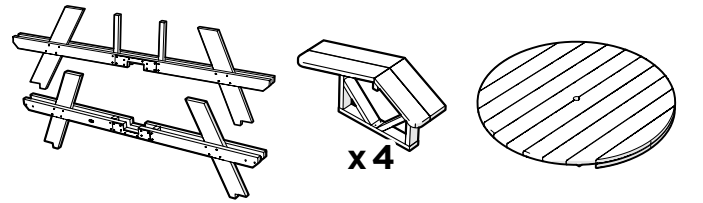
**For a deeper clean:**  
You'll need:  
» 1/3 bleach and 2/3 water solution  
» clean cloth  
» soft bristle brush  
Wipe on solution with your cloth and let it sit on the lumber for a few minutes (this will not affect the color). Then, loosen any dirt and debris that may catch in surface grooves with a soft bristle brush; hose down to rinse.

## PH53 Park 53" Octagon Table

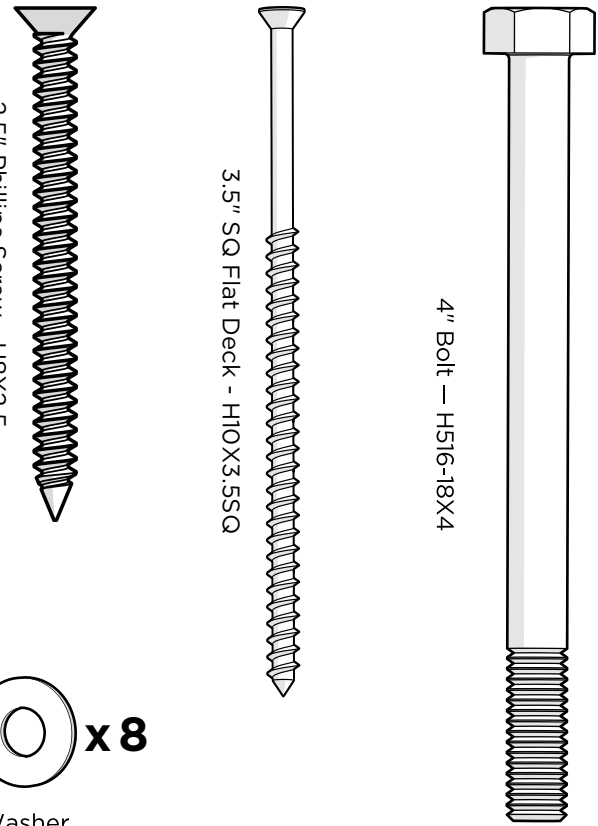
# TOOLS

-  #2 Phillips screwdriver
-  7/16" wrench (Not Included)
-  #2 Square screwdriver (Screw Gun Recommended -Not Included)
-  4mm hex, straight, for drill (Included)

# PARTS

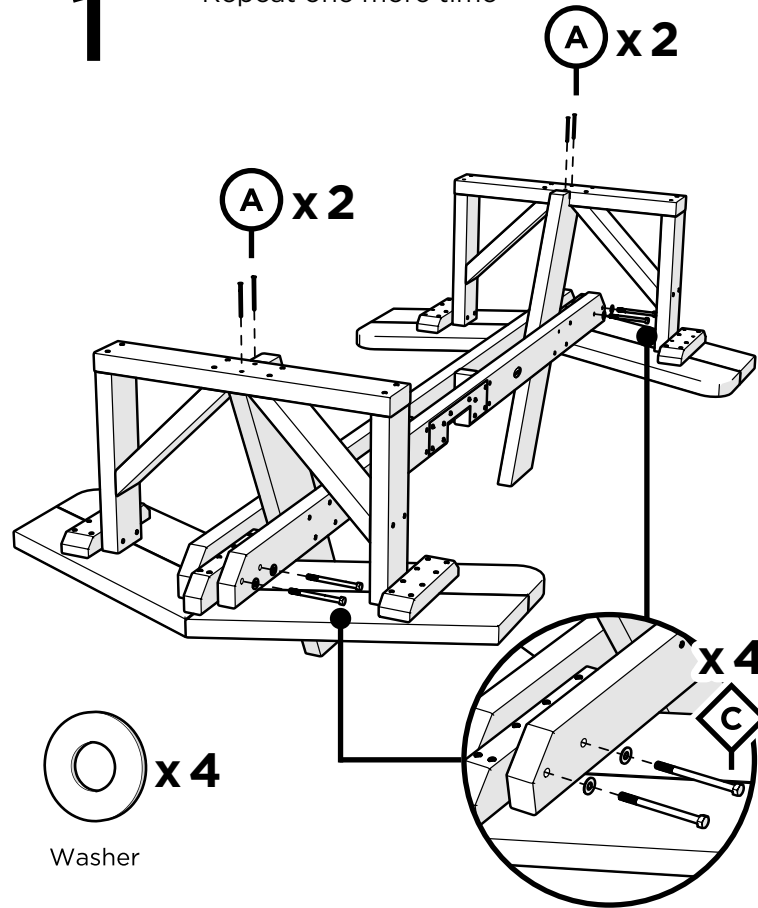


- A** x8
- B** x4
- C** x8

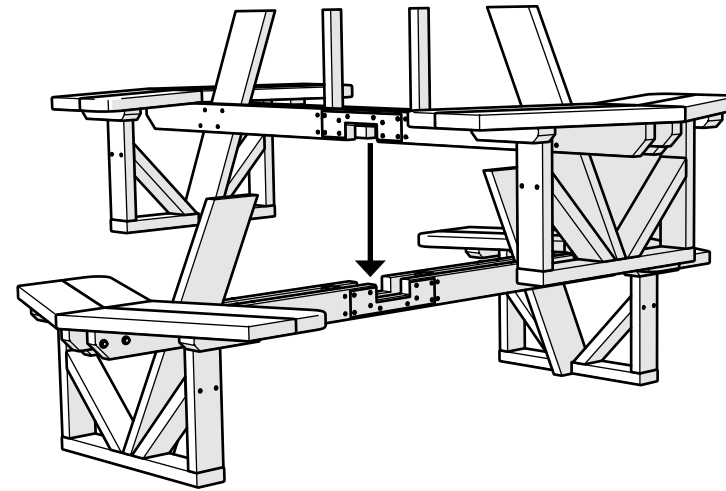


Something missing?  
Call (833) 665-6300

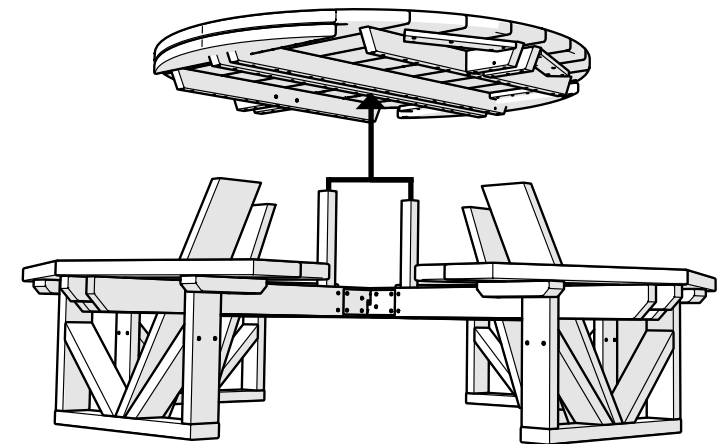
**1** Repeat one more time



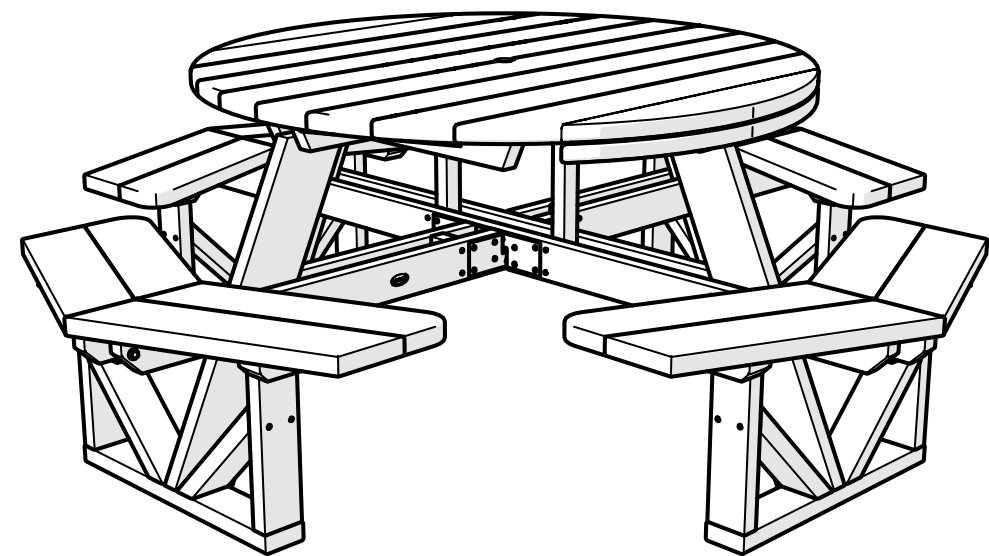
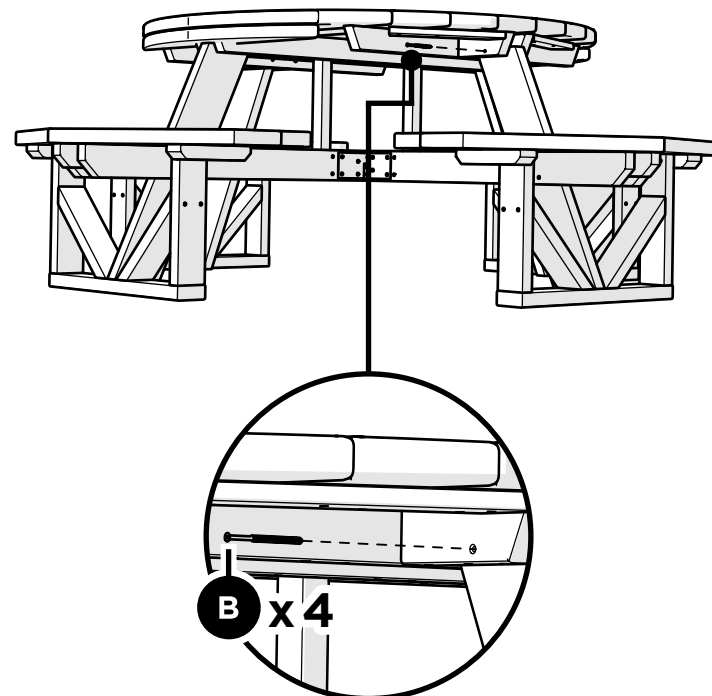
**2**



**3**



**4**



POLYWOOD