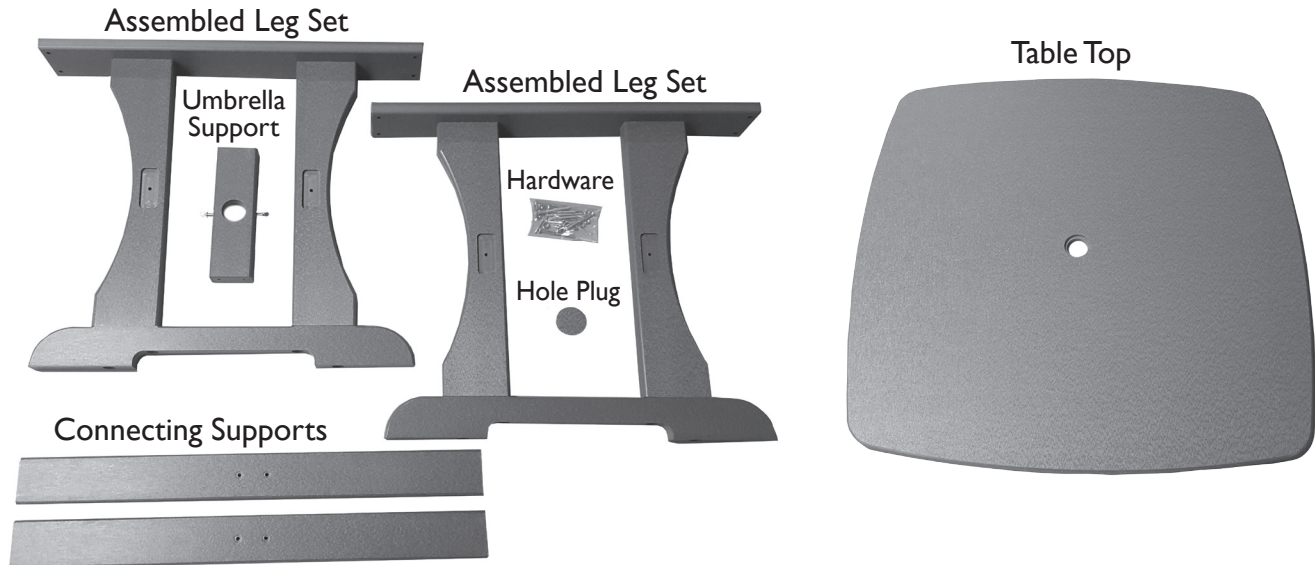


ASSEMBLY INSTRUCTIONS

42", 56", or 72" Dining Table

Tools Not Included but Required: Phillips Head Screwdriver

Tools Included: 4mm Allen Wrench



Parts Included:

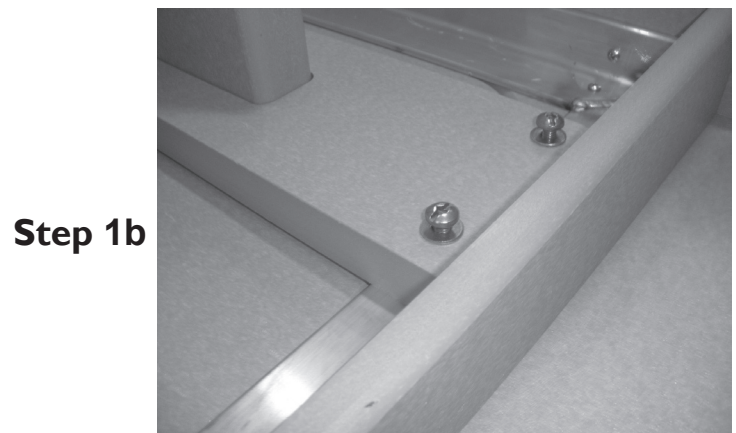
- 2 - Assembled Leg Sets
- 1 - Umbrella Support
- 2 - Connecting Supports
- 1 - Hole Plug
- 1 - Table Top

Stainless Steel Hardware Included:

- 8 - 3" Lag Screws
- 8 - 1-1/2" Pan Head Screws
- 8 - Washers

1a. Lay table upside down. Place the leg sets onto the table top with the leg notches to the inside. Line up the holes in the plastic at the top of the legs with the holes in the aluminum frame.

1b. Then place a 1-1/2" pan head screw with a washer into all 8 holes. Turn only until the screws hold the legs. Do not tighten.

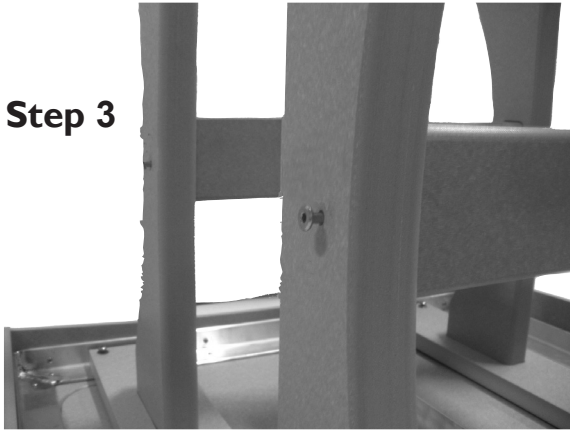


Step 2

2. Assemble the connecting brace system. Using four 3" lag screws attach the two connecting supports to the umbrella support.



Step 3



3. Take the assembled umbrella support and place one side into the notches on the legs. Screw one 3" lag screw from the outside of the leg into the leg support part-way. Do this on one side and then repeat on the other side. Now tighten all screws and bolts.

4. Flip the table upright and place the hole plug in the center of the table top or insert an umbrella pole.

5. Enjoy your dining table!



Your outdoor furniture is guaranteed for 20 years to never crack, split or fade. To clean, wash with soap and water. For tough stains, use a solution with water and soft scrub or try our furniture cleaner.

PerfectChoice[®] *furniture*

The perfect choice for lasting comfort and value.

477 Vogt Lane • Chilton, WI 53014 • 800-817-8833
www.perfectchoicefurniture.com • www.birdschoice.com