

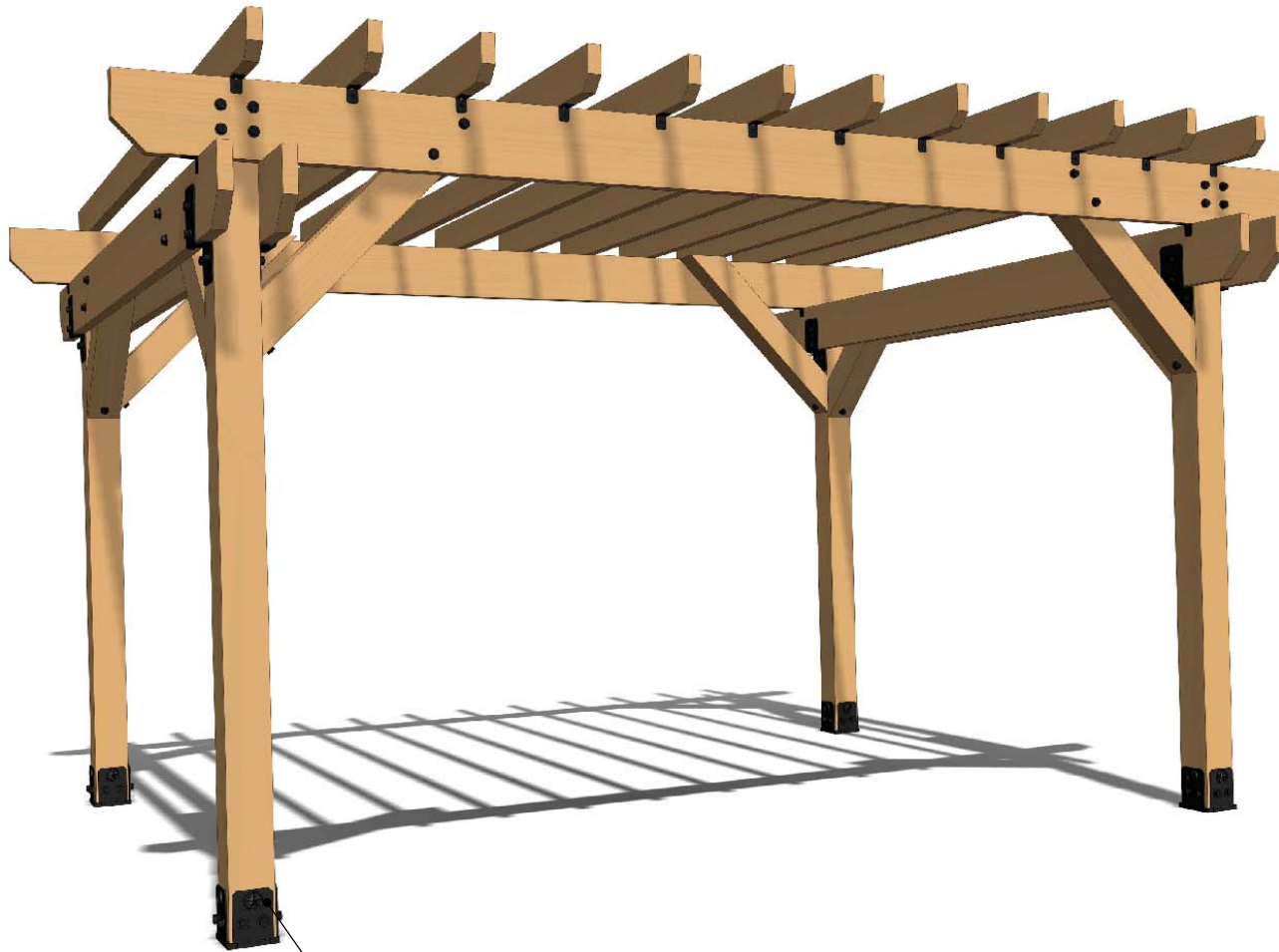
DESIGN

PURCHASE

CONSTRUCT

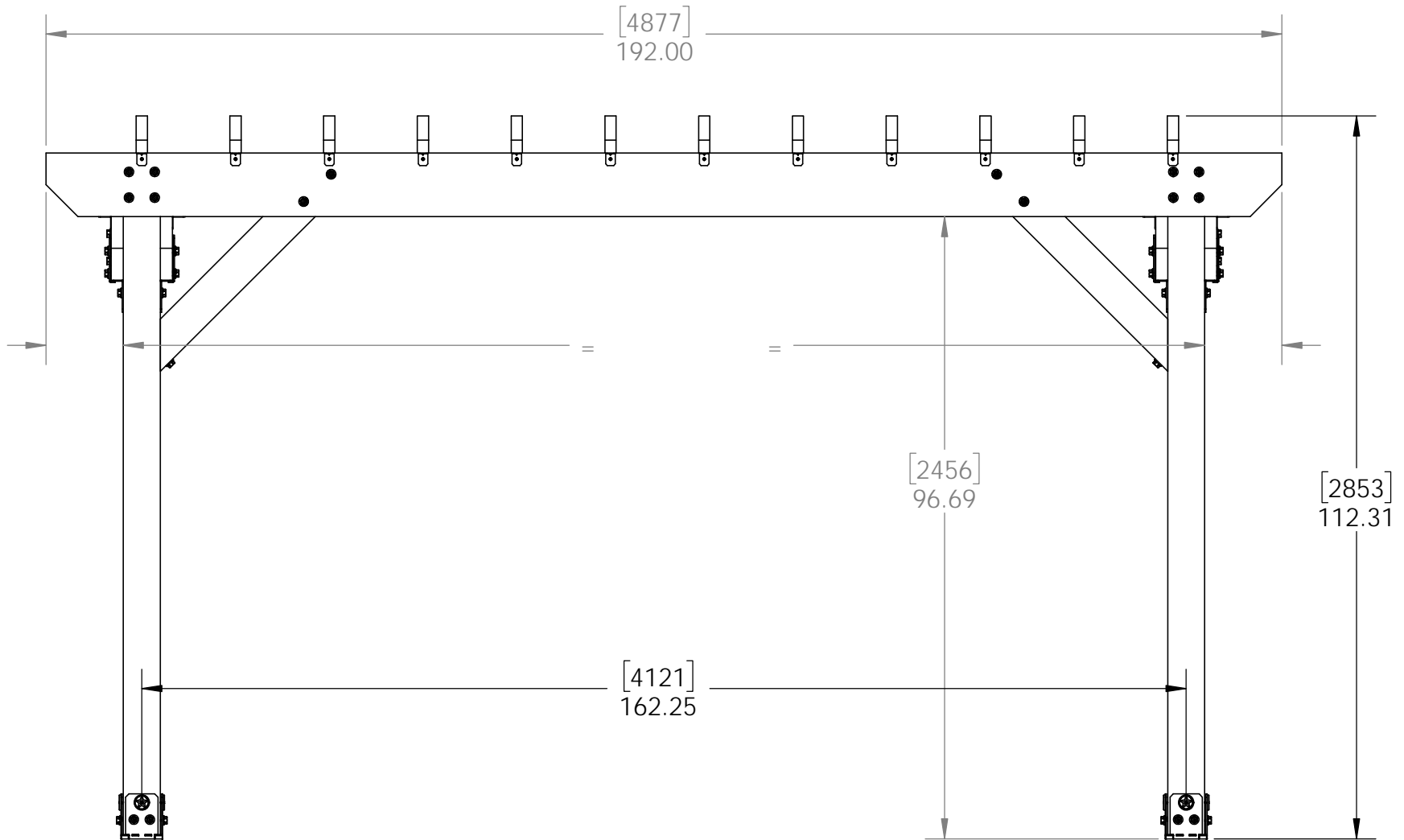
ENJOY

**OZCO Project #301
- Deck Pergola
with 6x6 Posts**



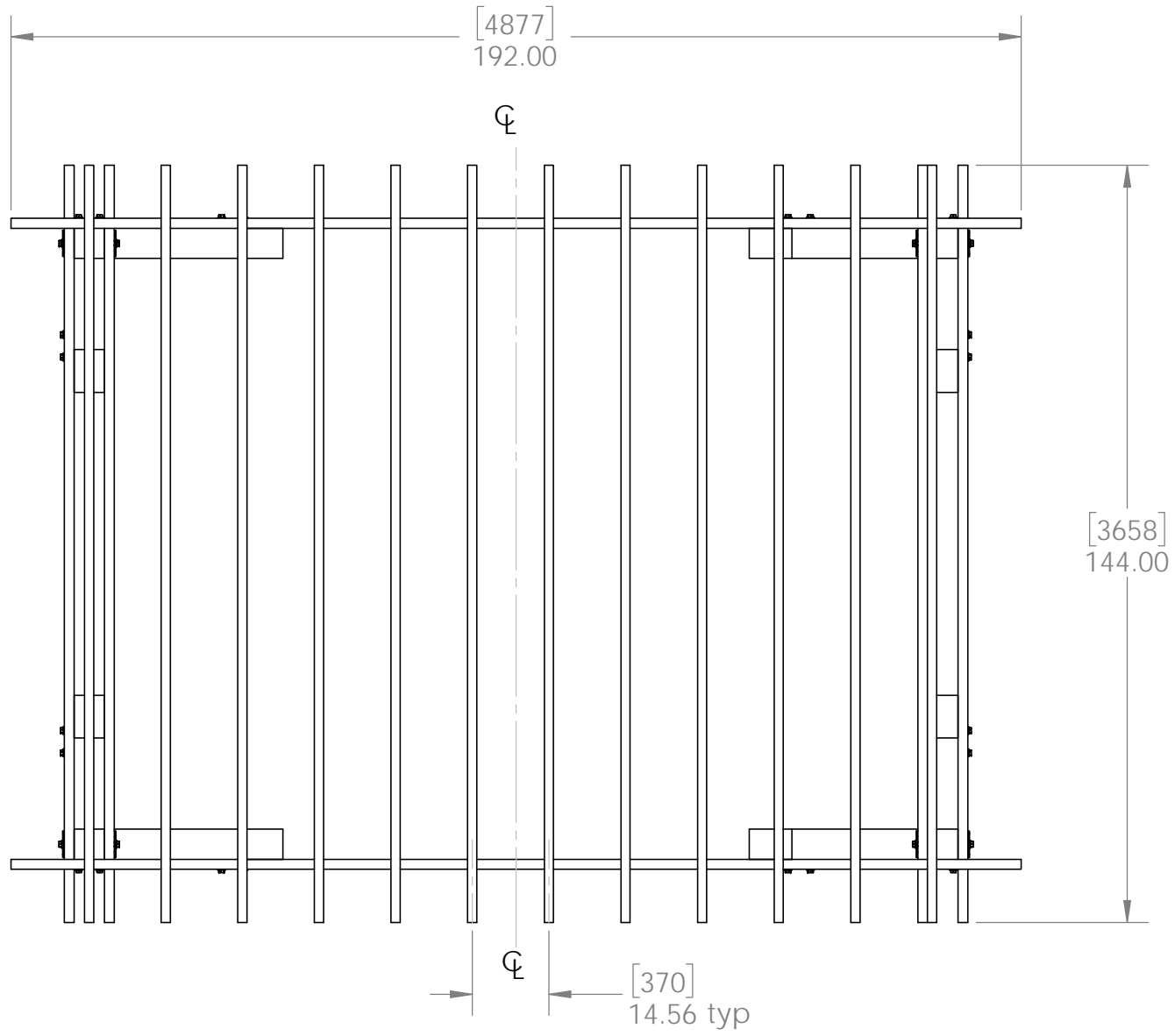
post base shown with
optional 2-3/8" Star (56623)





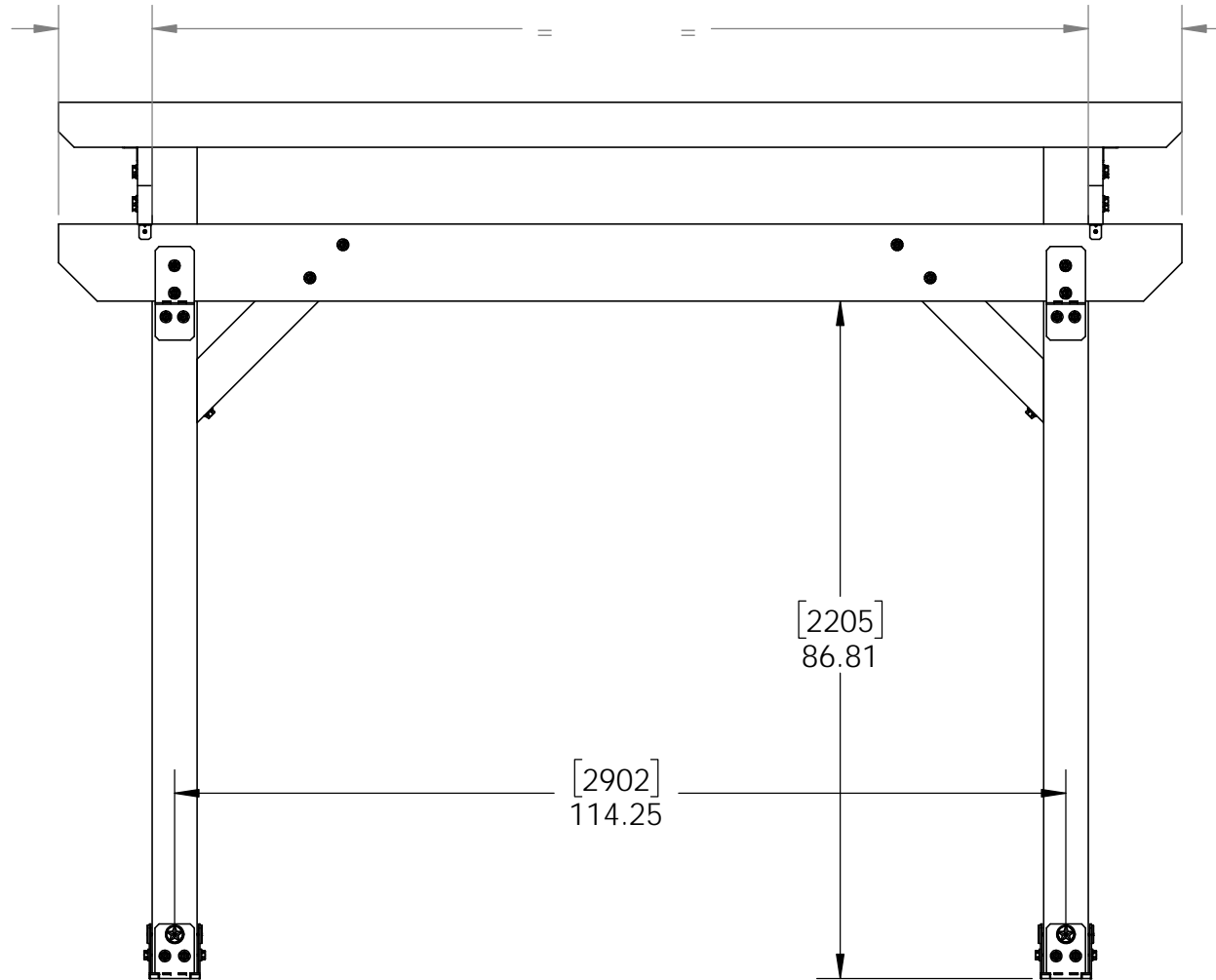
Overview-Front

OZCO Project #301 - Deck Pergola with 6x6 Posts



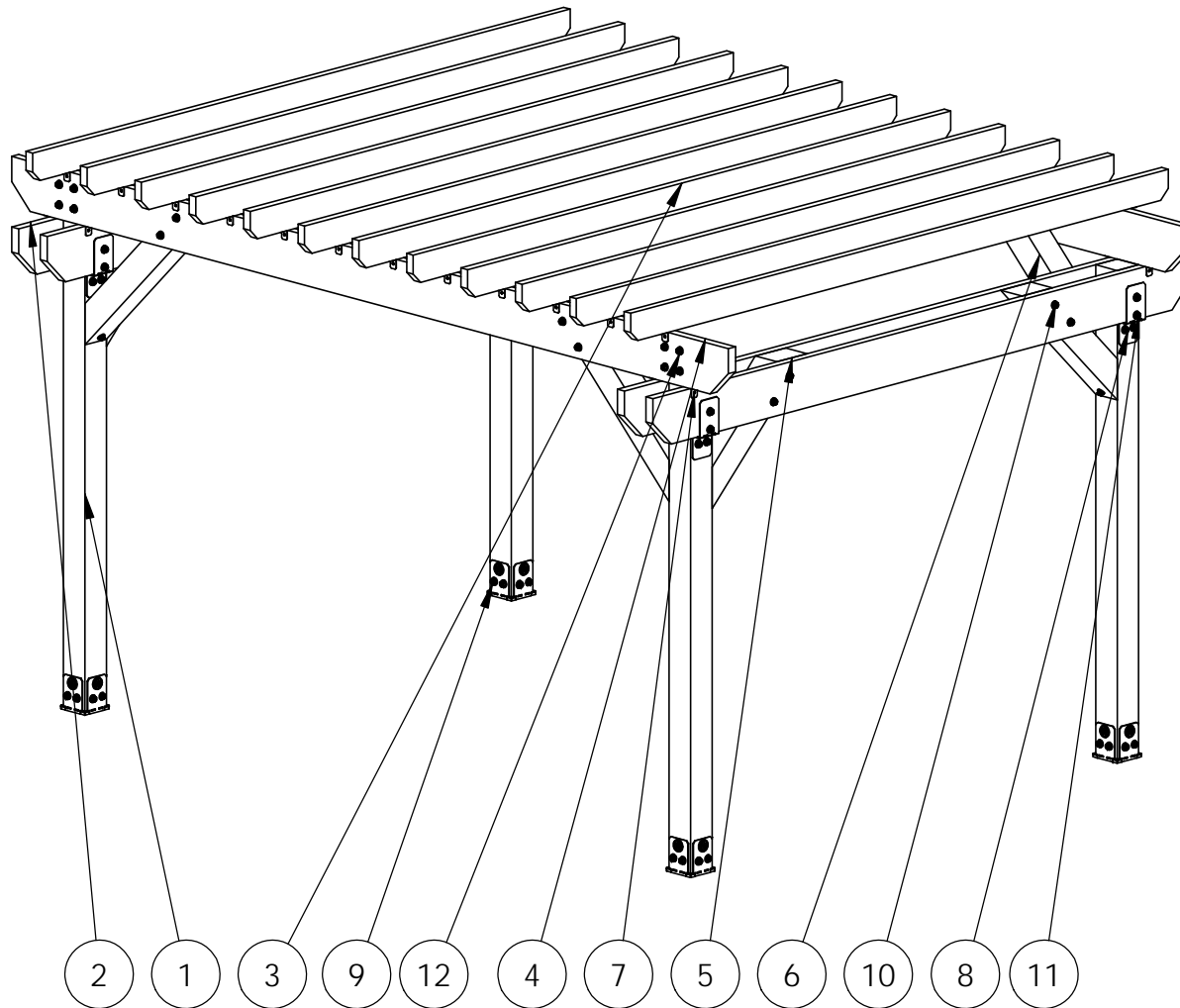
Overview-Top

OZCO Project #301 - Deck Pergola with 6x6 Posts



Overview-Right

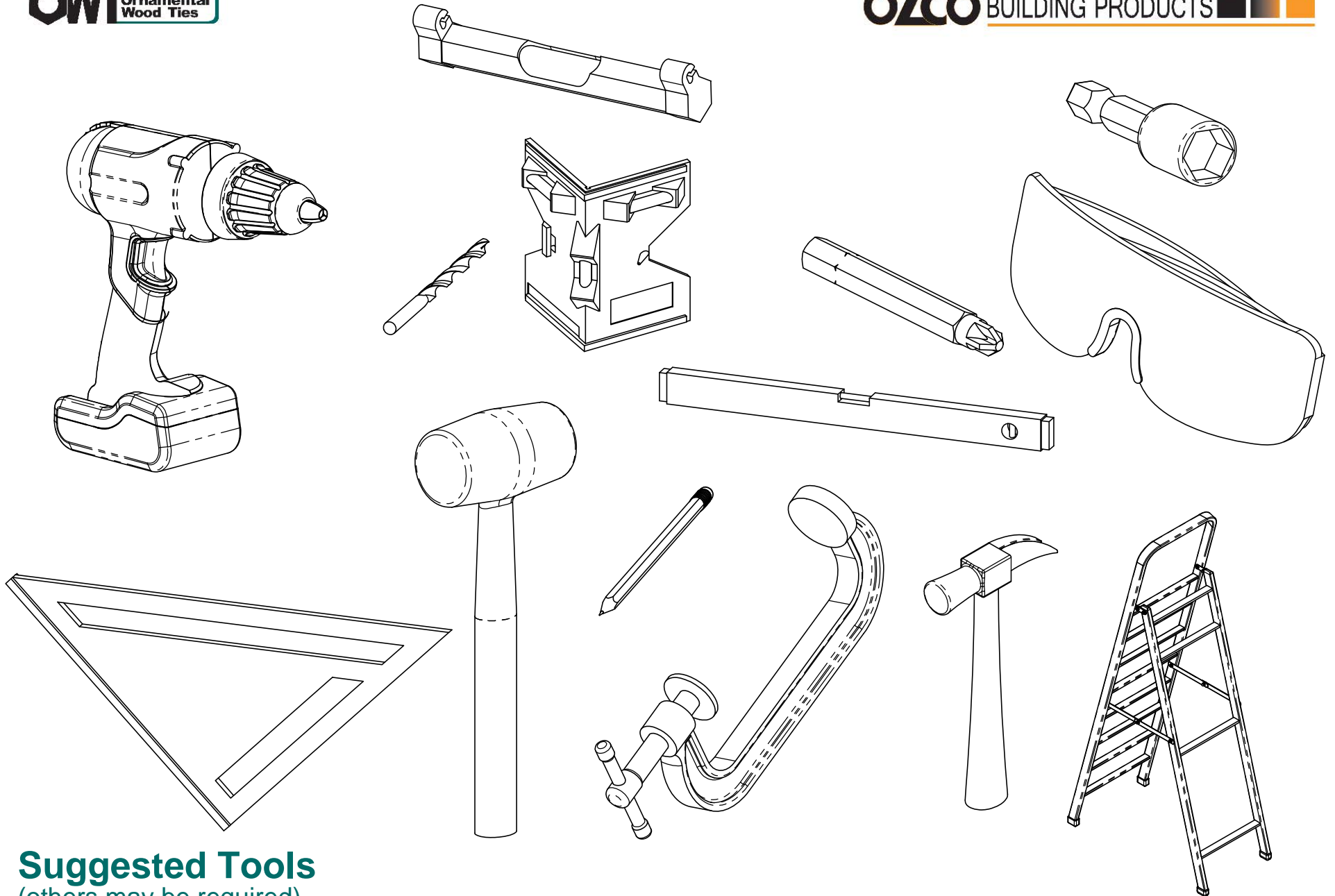
OZCO Project #301 - Deck Pergola with 6x6 Posts



ITEM NO.	QTY.	PART NUMBER	DESCRIPTION
1	4	6x6 Cedar Post	6x6x96.00
2	4	2x10 Cedar Board	2x12x144.00
3	12	2x6 Cedar Board	2x6x144.00
4	2	2x10 Cedar Board	2x10x192.00
5	4	6x6 Cedar Support	6x6x36.00
6	4	6x6 Cedar Support	6x6x48.00
7	3.2	51717	2" Standard Rafter Clip (RC-IW-2)
8	4	51737	Bolt Inline (P2B-BI-IW)
9	4	51708	6x6 Post Base (6x6-PB-IW)
10	0.96	56628	Screw, OWT 5-3/4" (145mm) Timber with HCN
	0.1	56621	1 1/2" Hex Cap Nut (HCN)
11	4	56652	OWT Timber Bolt 10-12"
12	0.64	56625	Screw, OWT 1-3/4" (45mm) Timber with HCN
	0.1	56621	1 1/2" Hex Cap Nut (HCN)

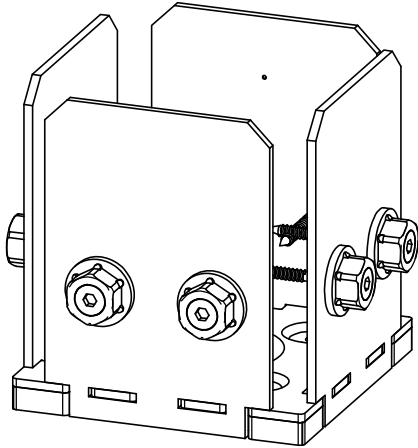
Bill of Material

OZCO Project #301 - Deck Pergola with 6x6 Posts

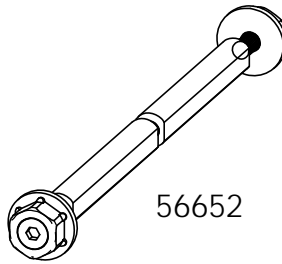


Suggested Tools
(others may be required)

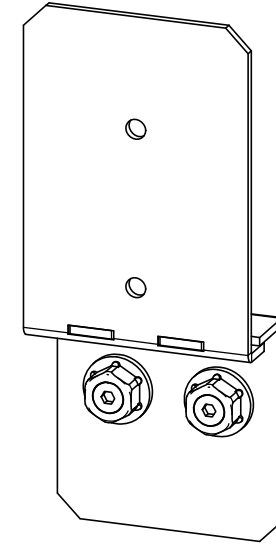
OZCO Project #301 - Deck Pergola with 6x6 Posts



51708



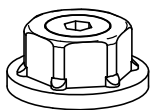
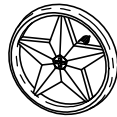
56652



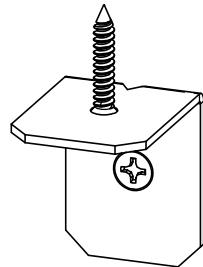
51737



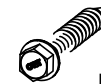
optional
56623



56621



51717



56625



56628

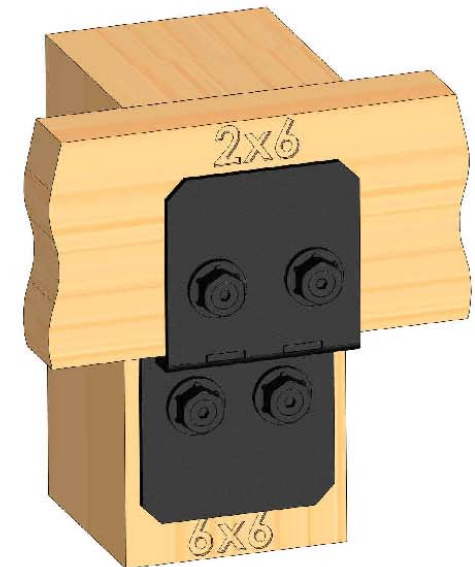
Laredo Sunset & Ironwood



Laredo Sunset
(566XX series)

2 great styles
Same functionality
choose your
connection lifestyle

both styles available for
most products

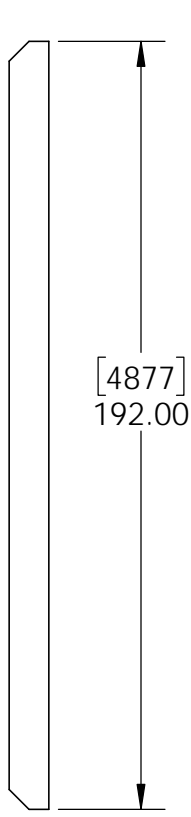


Ironwood
(517XX series)



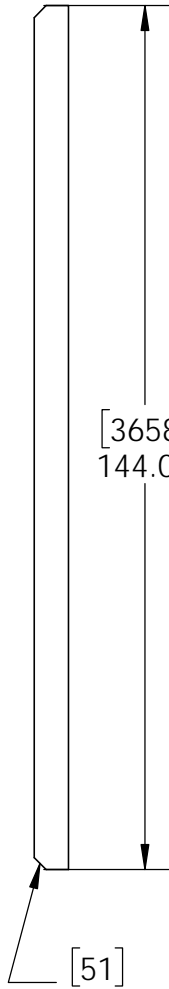
OZCO BUILDING PRODUCTS ■■■

2x6 Cedar Board
12 with Chamfer 2" ends



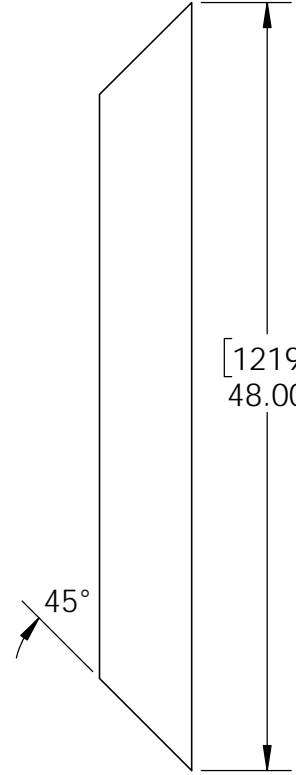
[4877]
192.00

2x10 Cedar Board
16 with 45 deg cuts



[3658]
144.00

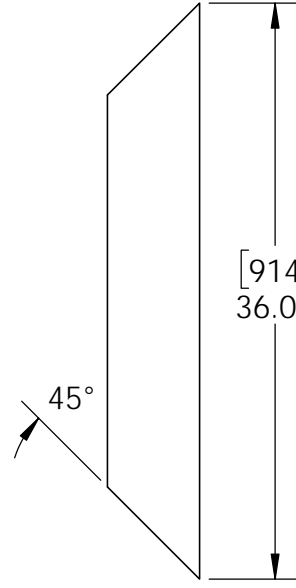
[51]
2.00 X 45°



[1219]
48.00

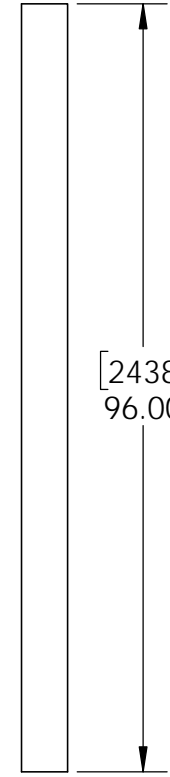
6x6 Cedar Support
4

6x6 Cedar Support
3



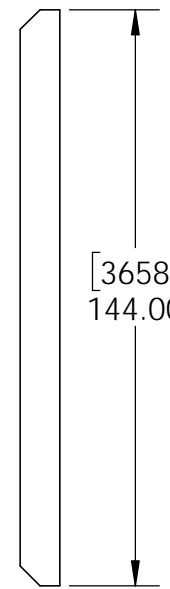
[914]
36.00

6x6 Cedar Post
8



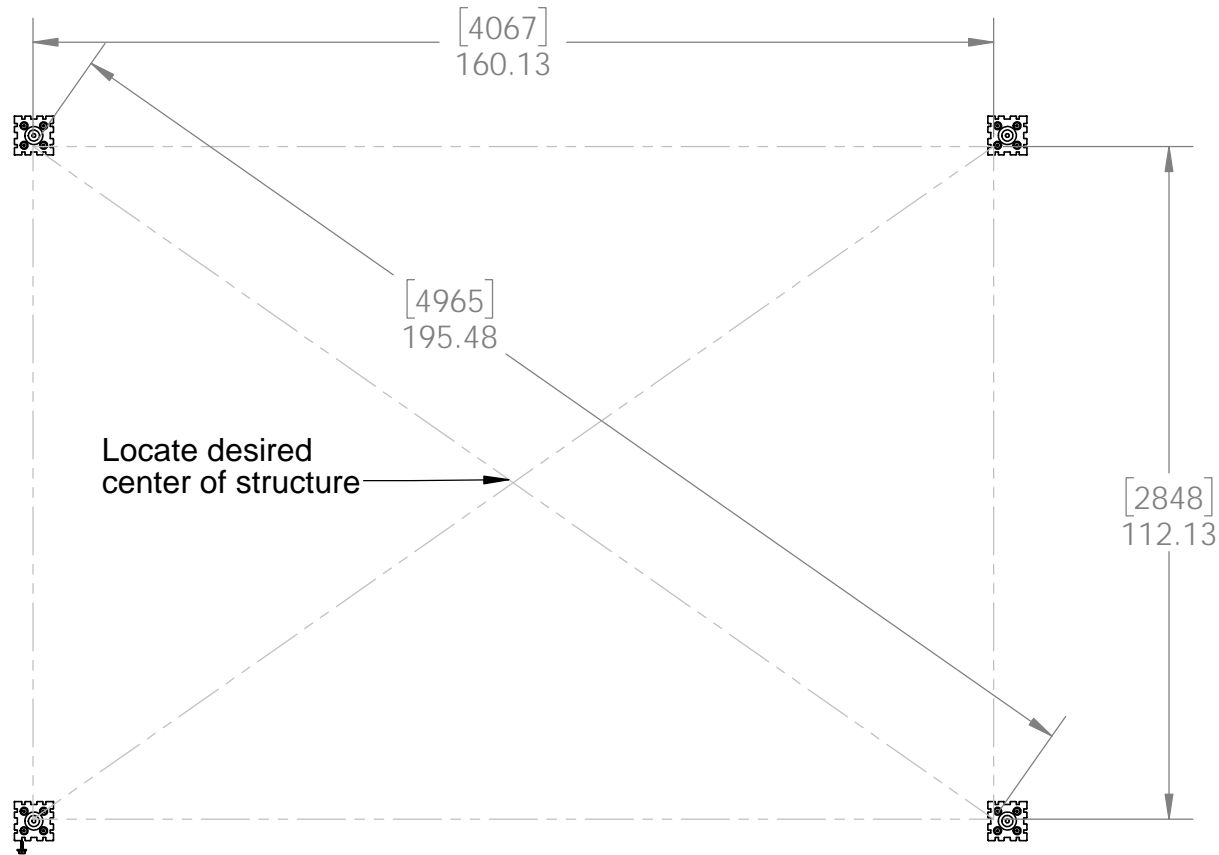
[2438]
96.00

2x10 Cedar Board
12 with 45 deg cuts



[3658]
144.00

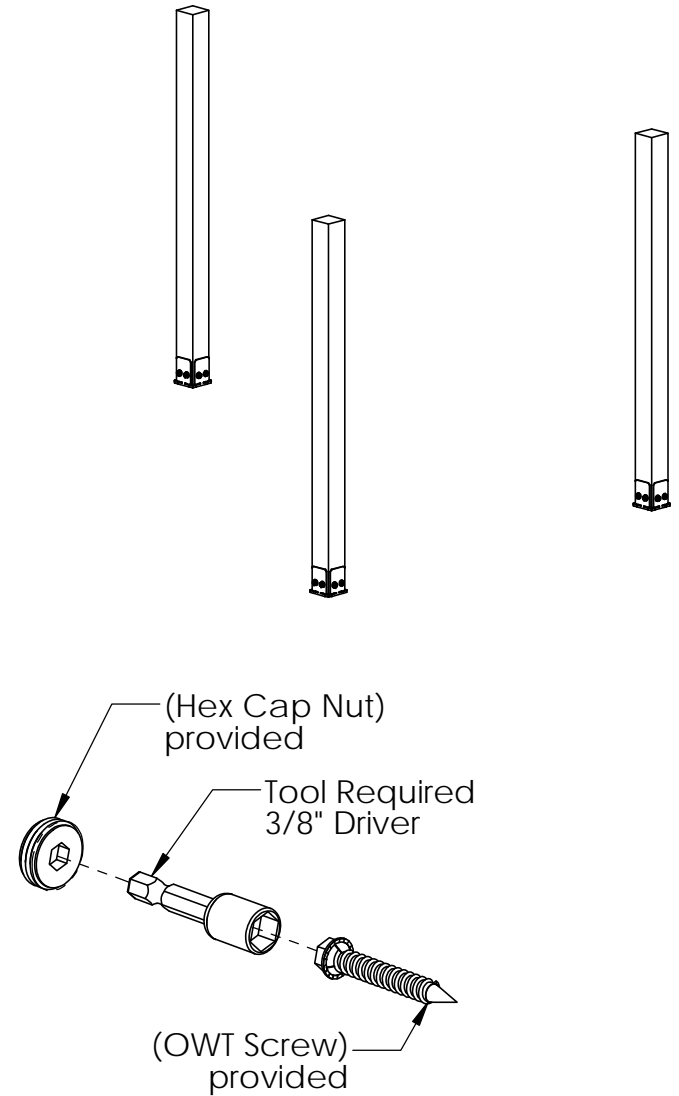
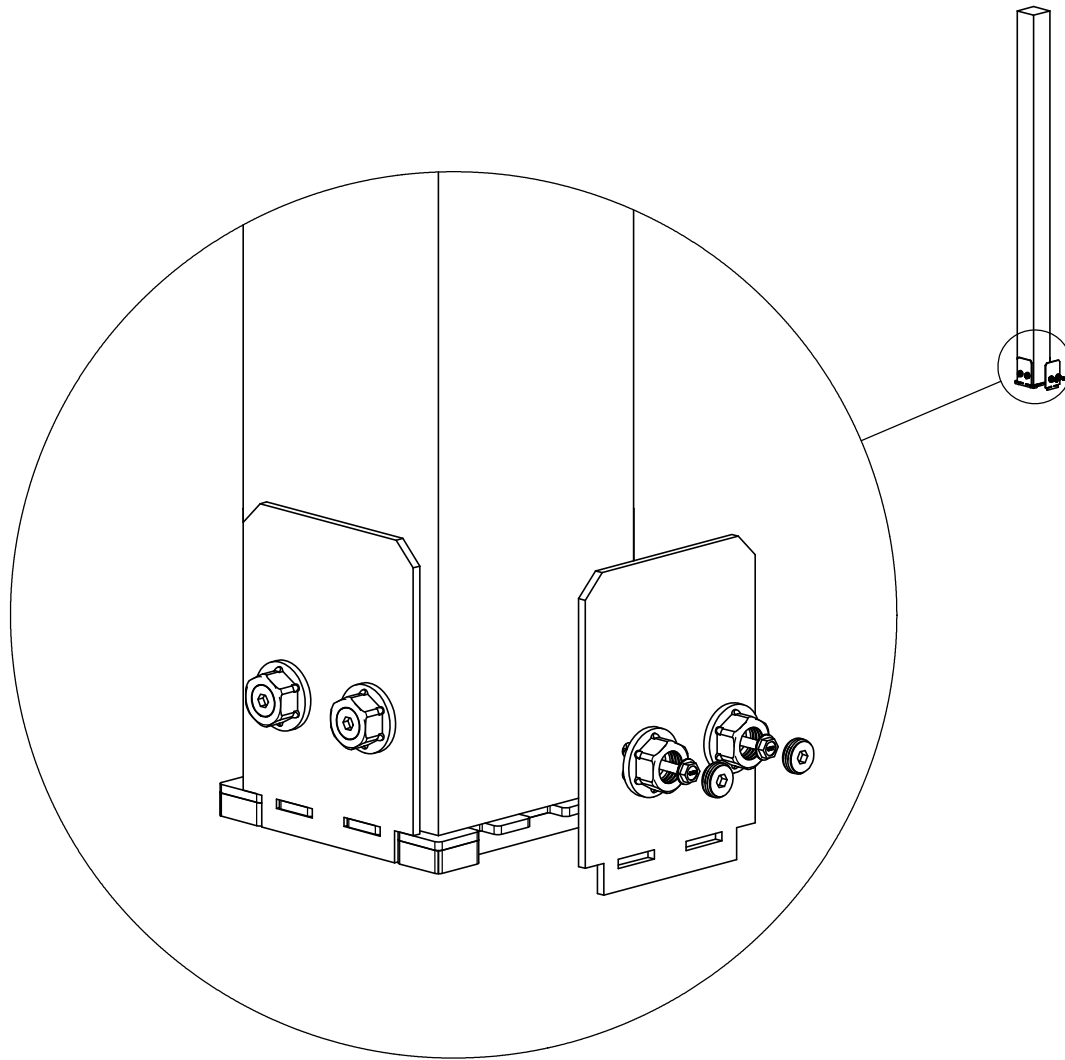
Cutlist



if site is not level,
see Ozco Site Leveling instruction

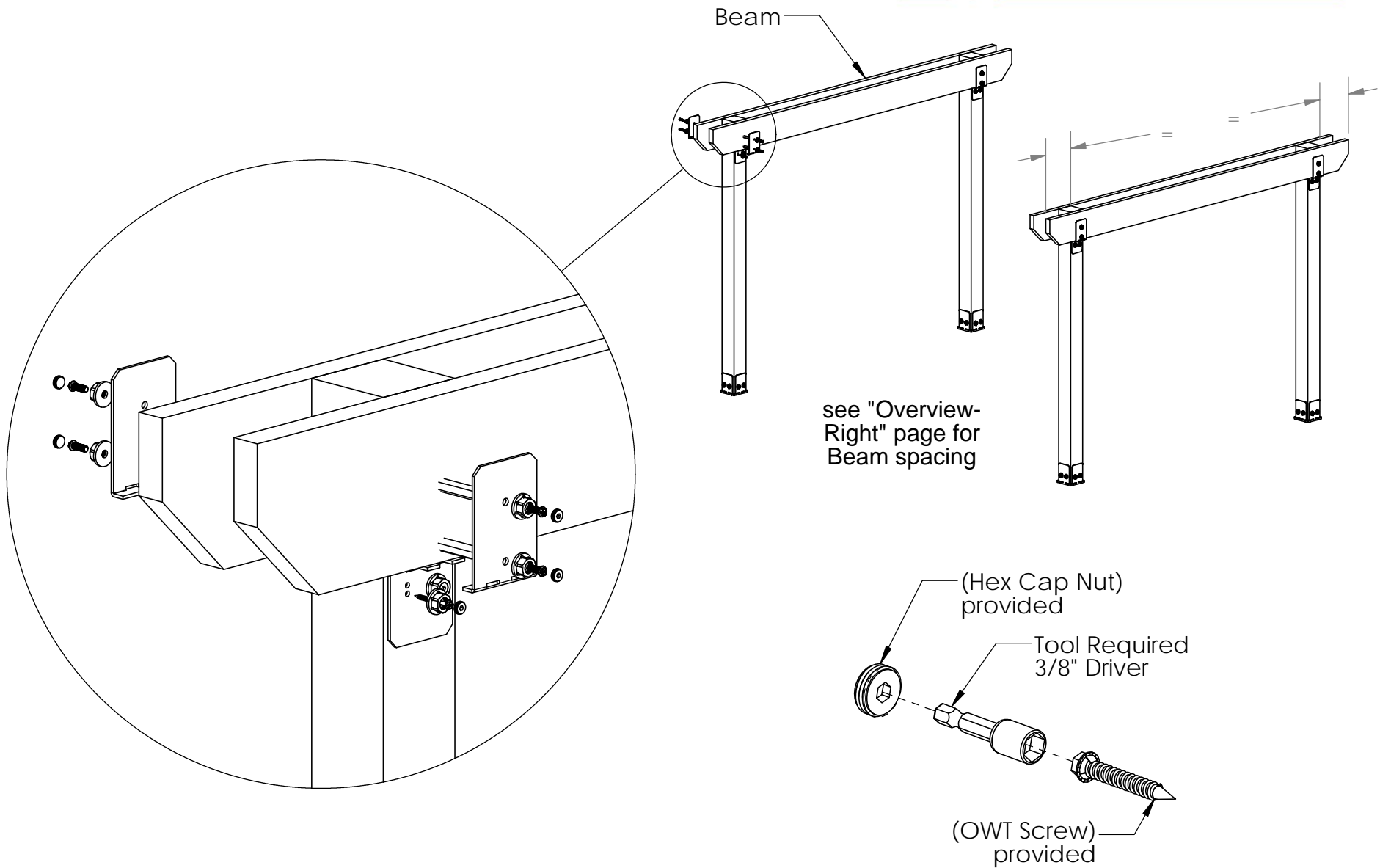


Site Plan



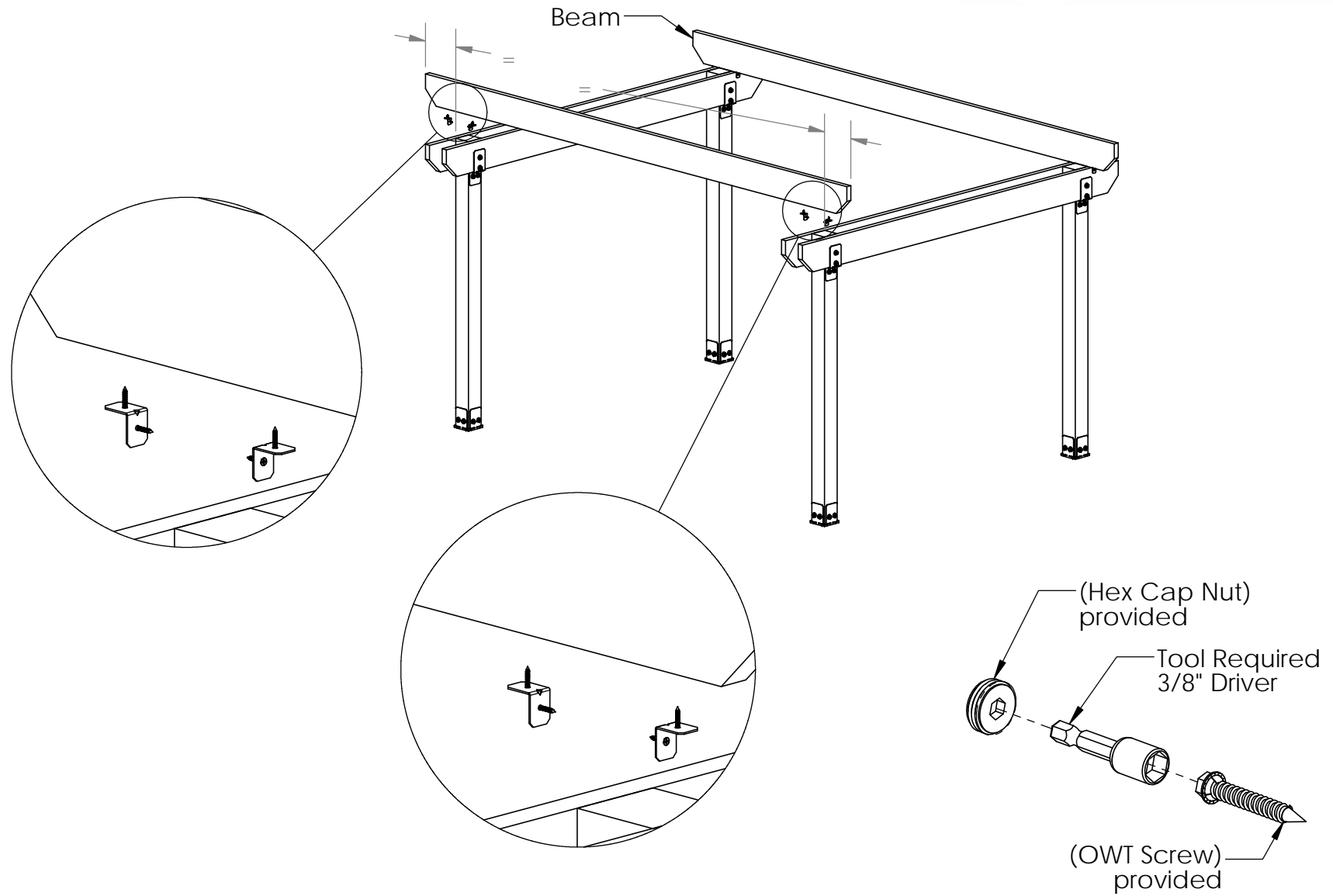
step 1

OZCO Project #301 - Deck Pergola with 6x6
Posts



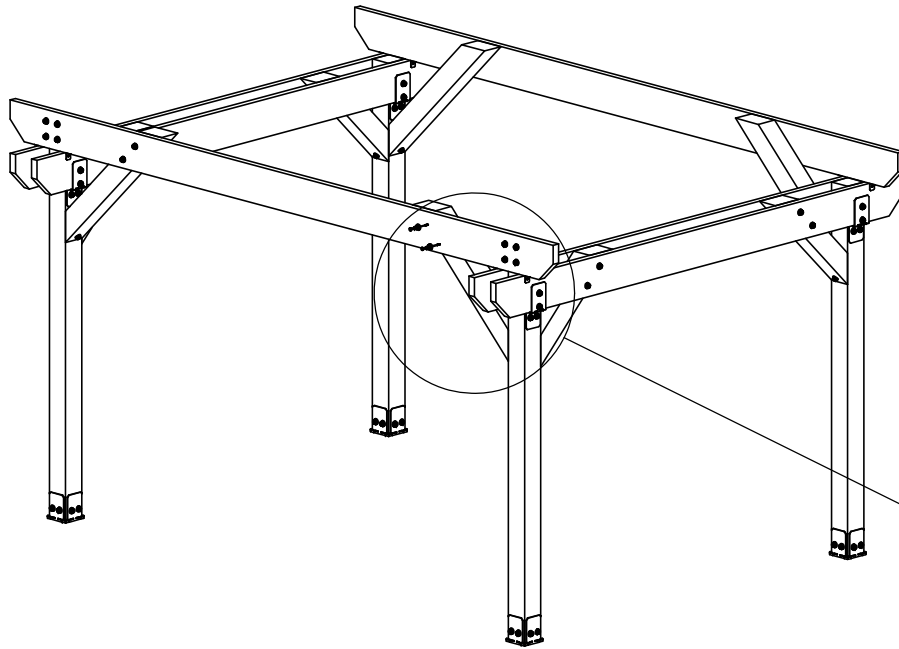
step 2

OZCO Project #301 - Deck Pergola with 6x6 Posts

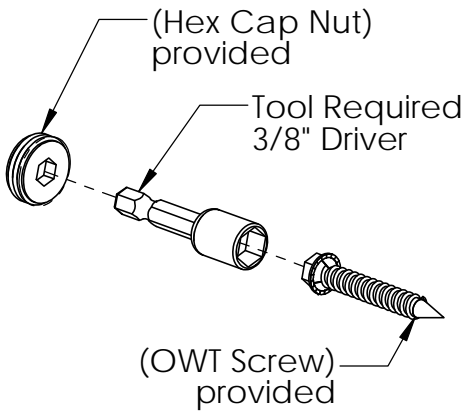
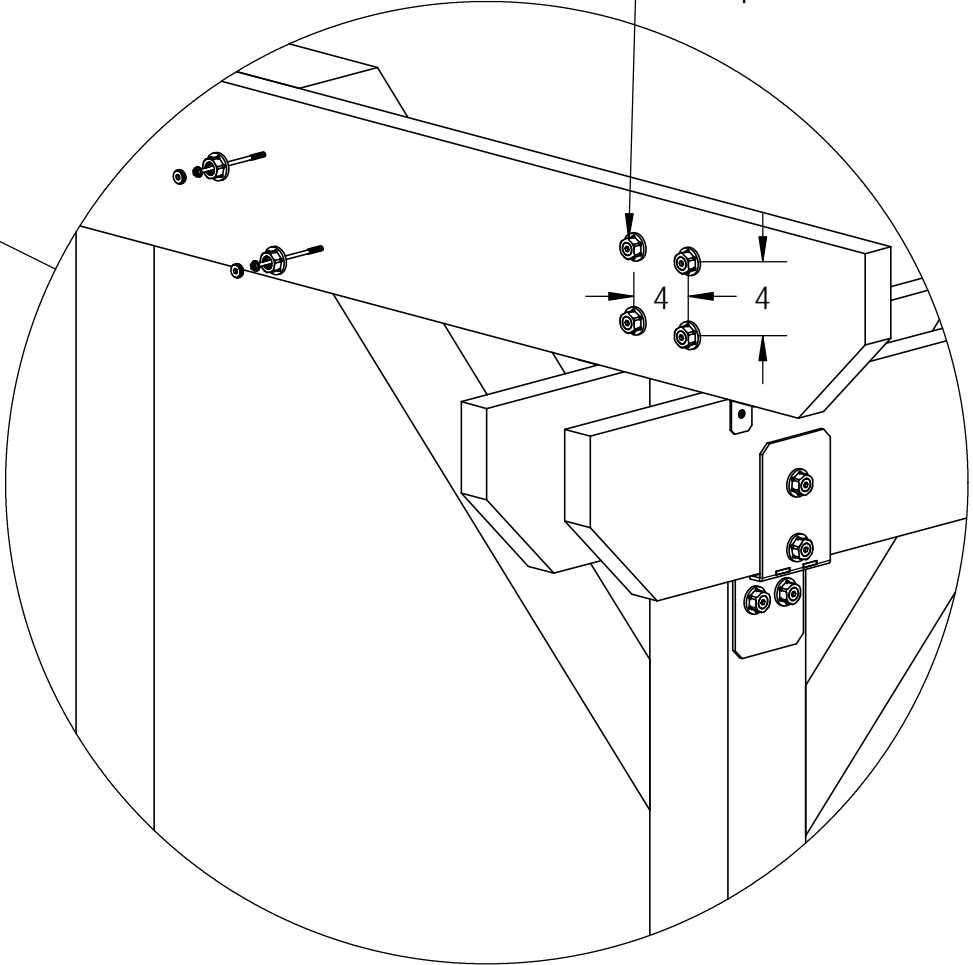


step 3

OZCO Project #301 - Deck Pergola with 6x6 Posts

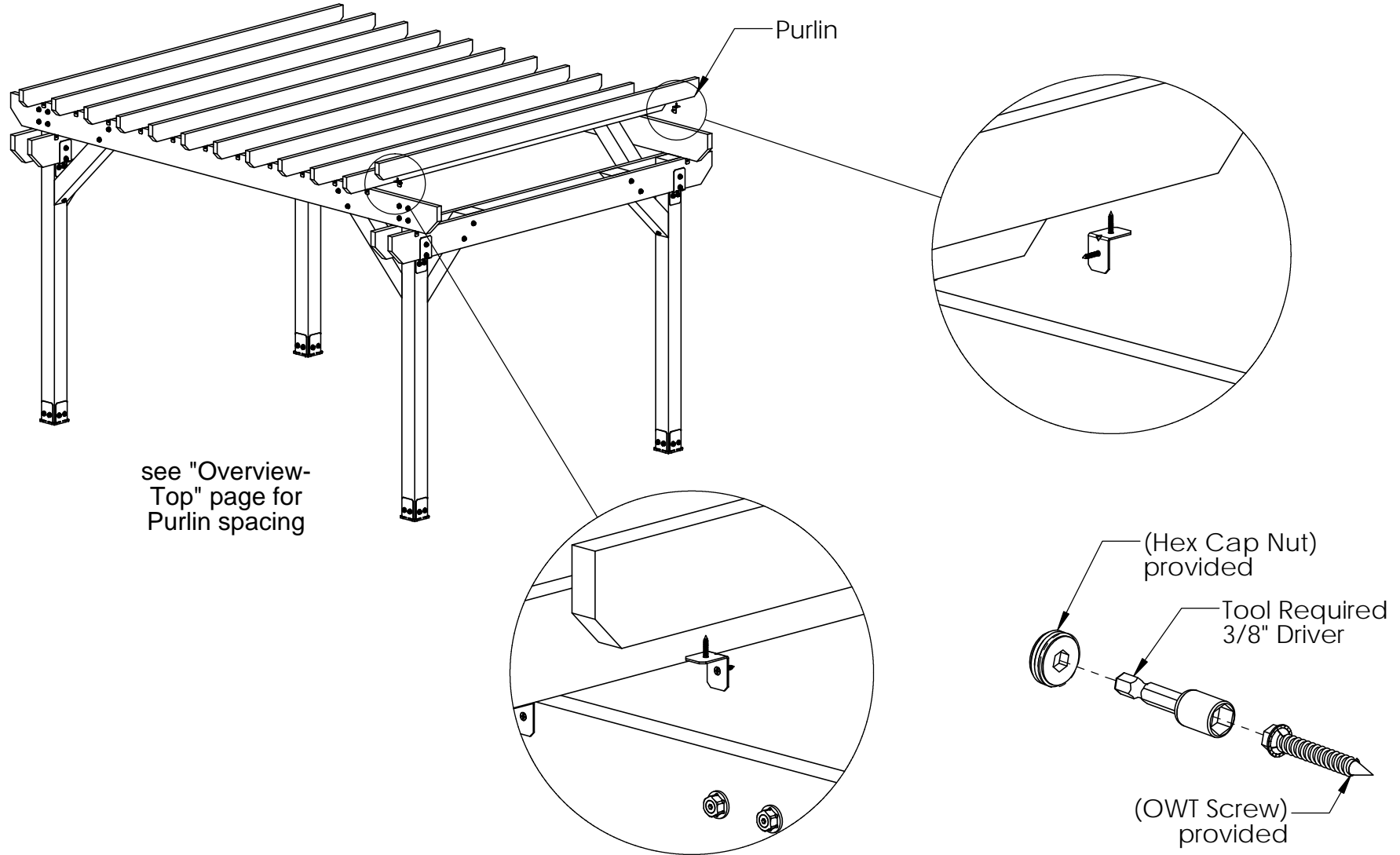


install in decorative (4"x4") pattern centered on post and beam



step 4

OZCO Project #301 - Deck Pergola with 6x6 Posts



step 5