

DESIGN

PURCHASE

CONSTRUCT

ENJOY

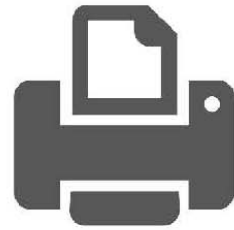
OZCO Project #112 - Rustic Bench



OZCO BUILDING PRODUCTS ■■■

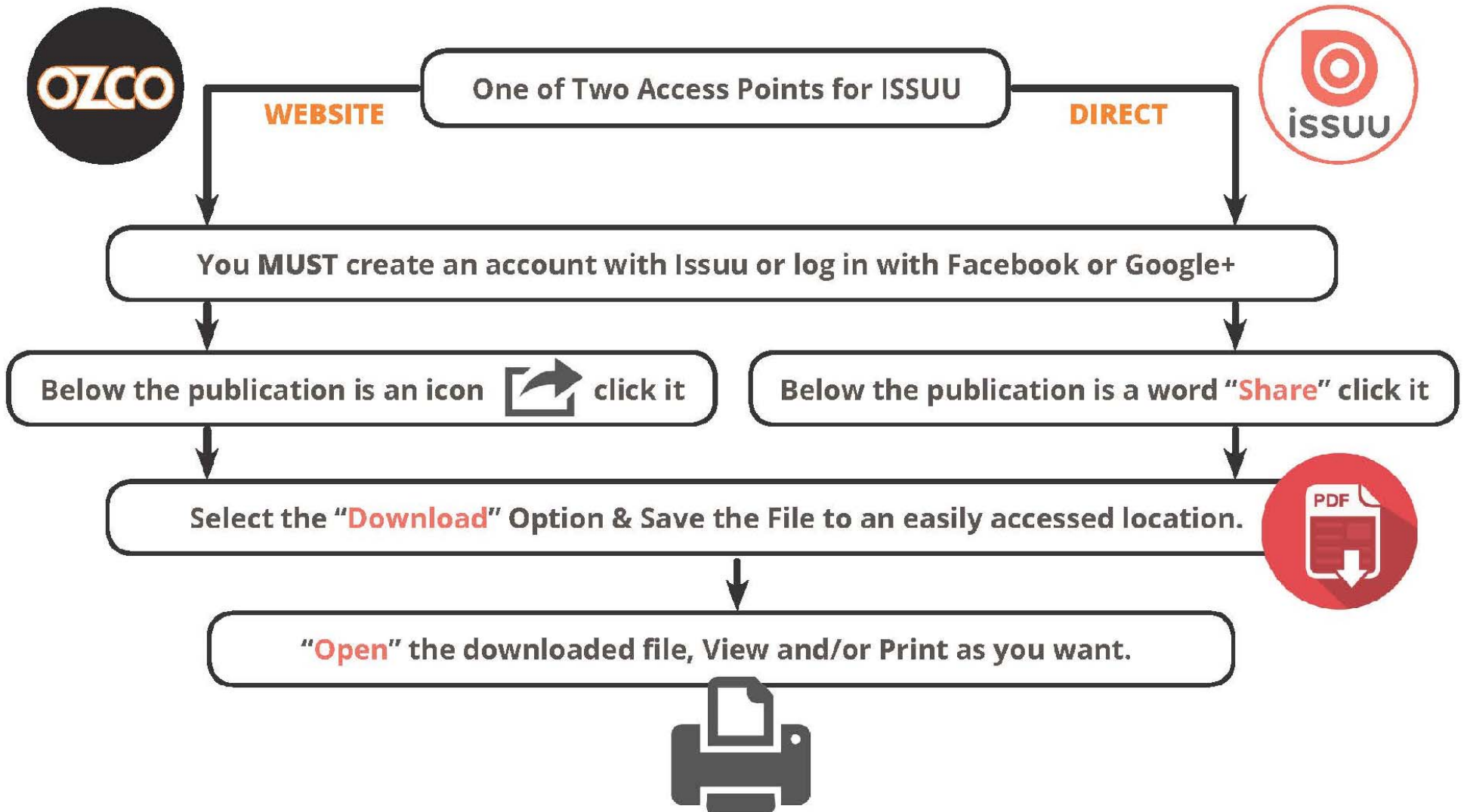
OZCO Project #112 - Rustic Bench

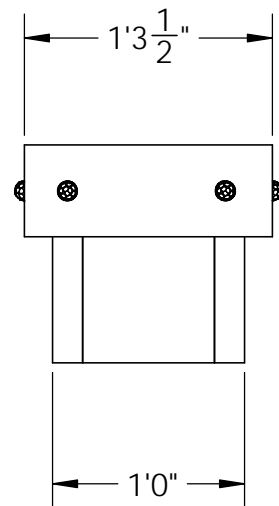
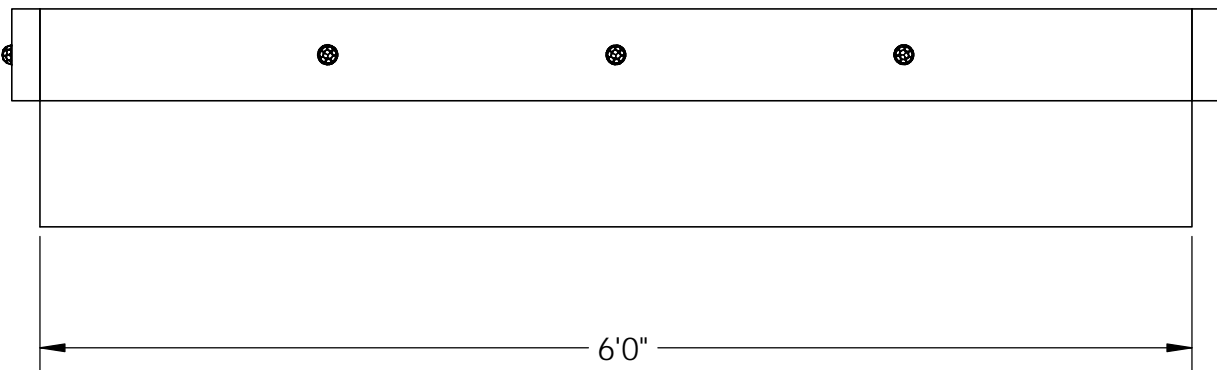
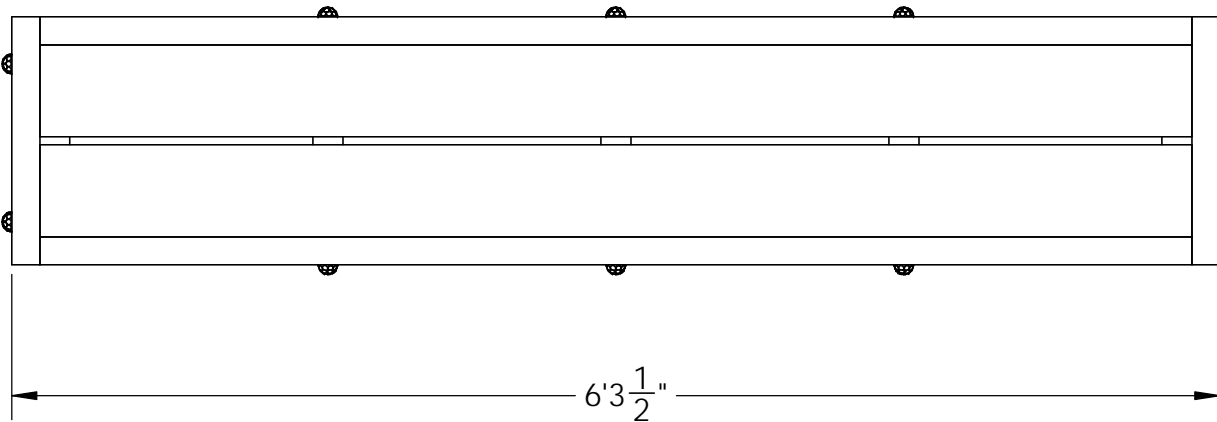
V2.00 - Installation Instructions, Specifications and Project Plans are effective 2/13/2017 . This information is updated periodically and should not be relied upon after 2 years from 2/13/2017 . Please visit OZCOBP.com to get current information.



Printing Documents from ISSUU

Unfortunately, there is currently no way to print content directly through issuu. To print a publication, you will need to download it and print it from your computer.

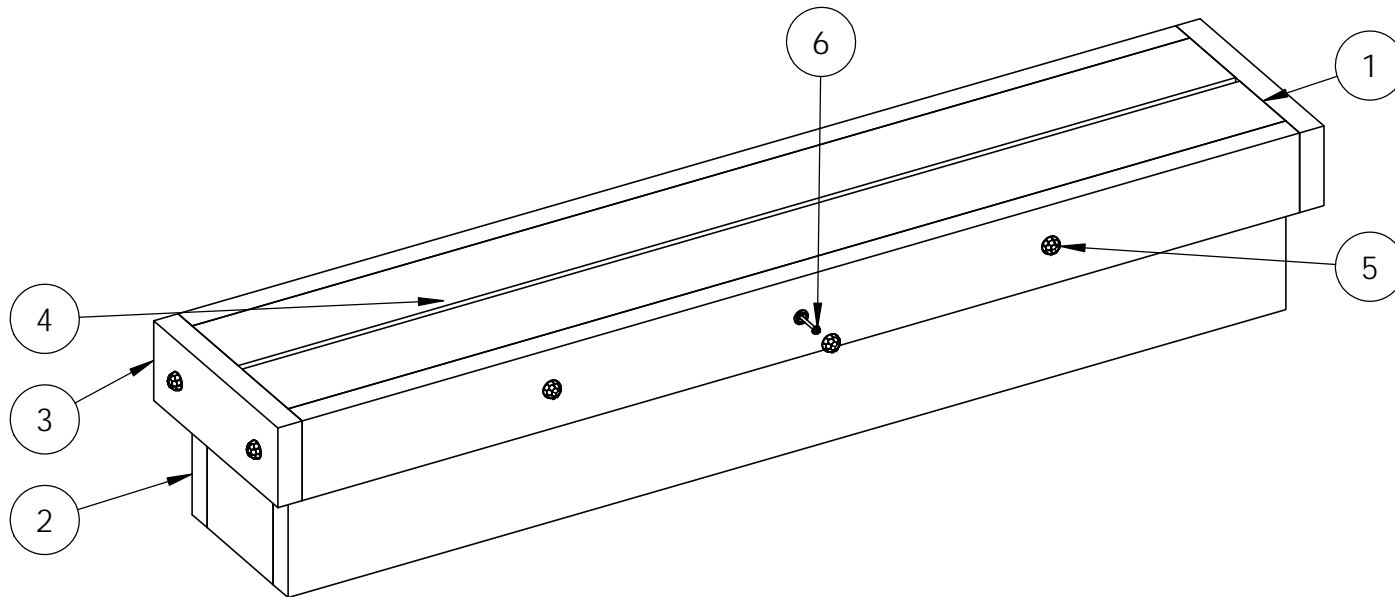




Overview

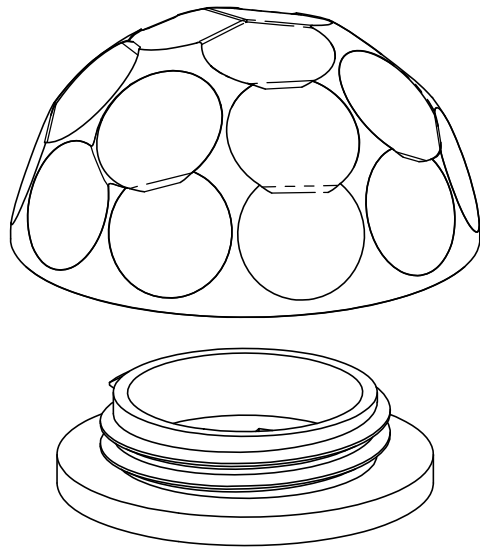
OZCO Project #112 - Rustic Bench

ITEM NO.	QTY.	PART NUMBER	DESCRIPTION
1	4	2x6 Cedar Board	2x6x6'0"
2	2	2x12 Cedar Board	2x12x6'0"
3	2	2x6 Cedar Board	2x6x1'3 1/2"
4	5	2x12 Cedar Board	2x12x8 1/4"
5	1	56622	1-1/4" Hammered Dome Cap Nut
6	1	56628	Screw, OWT 5-3/4" (145mm) Timber

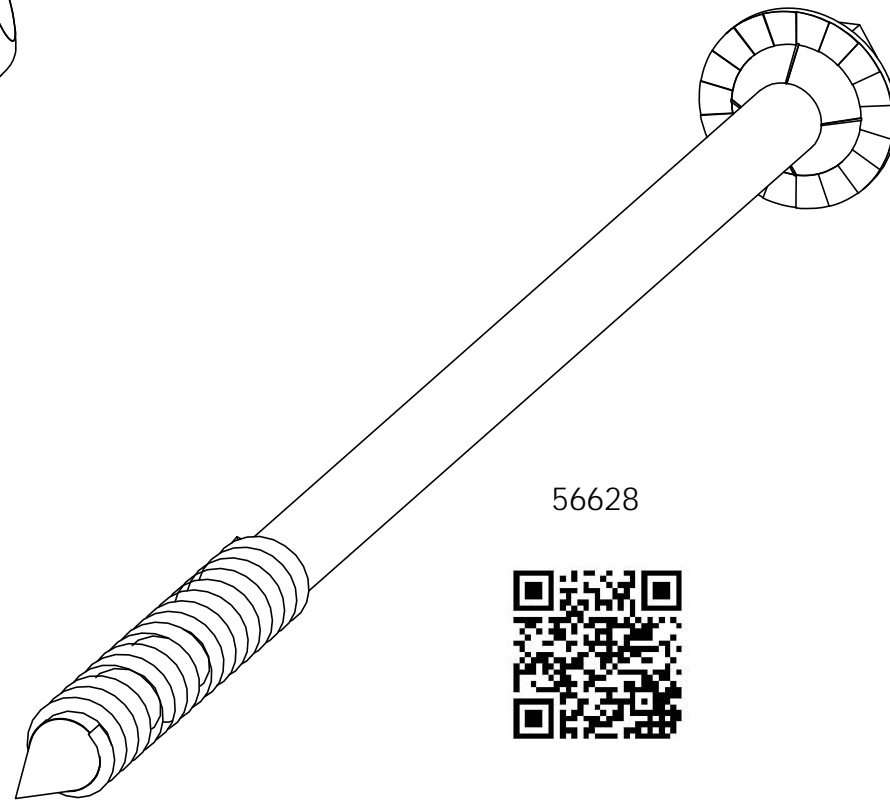


Bill of Material

OZCO Project #112 - Rustic Bench

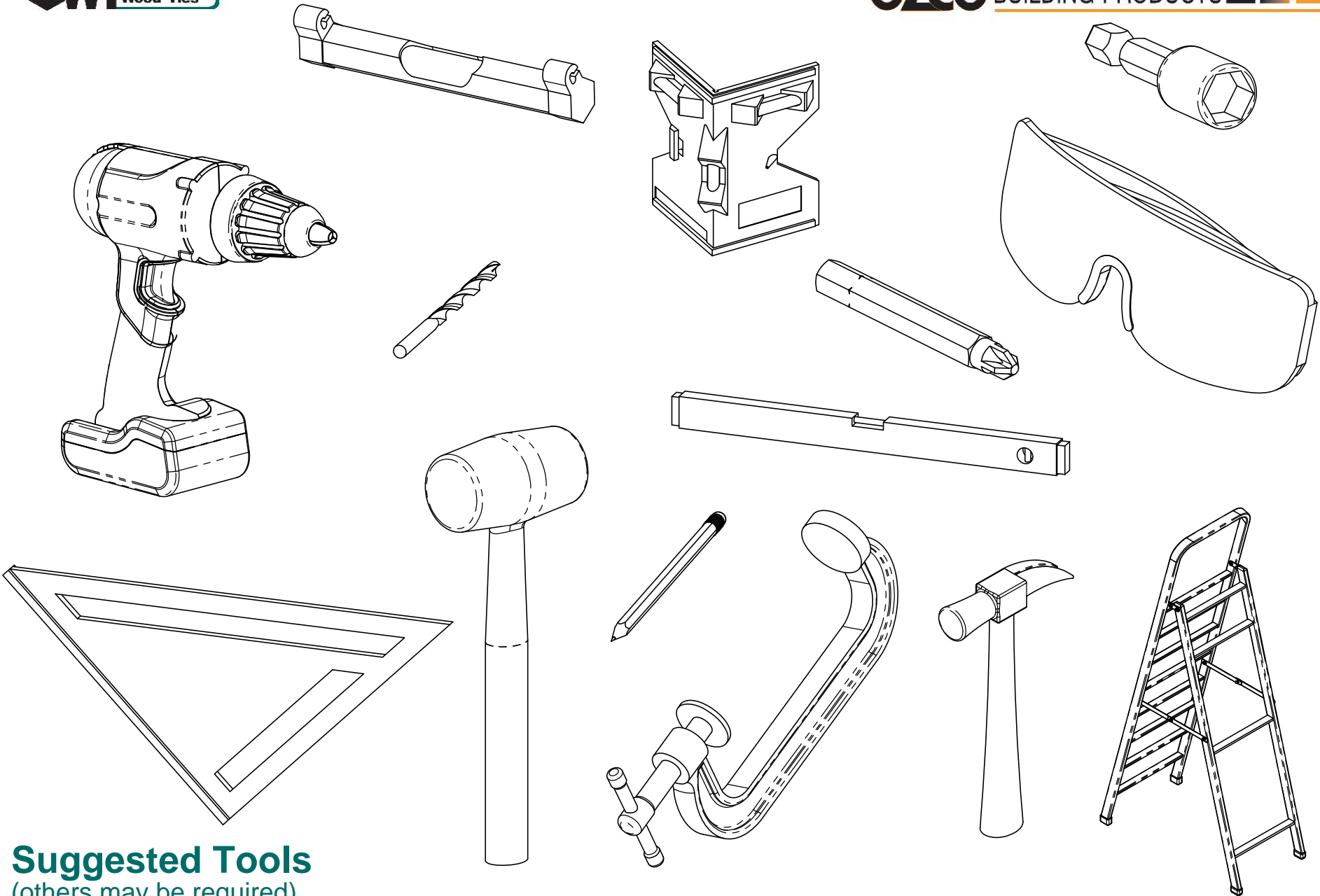


56622



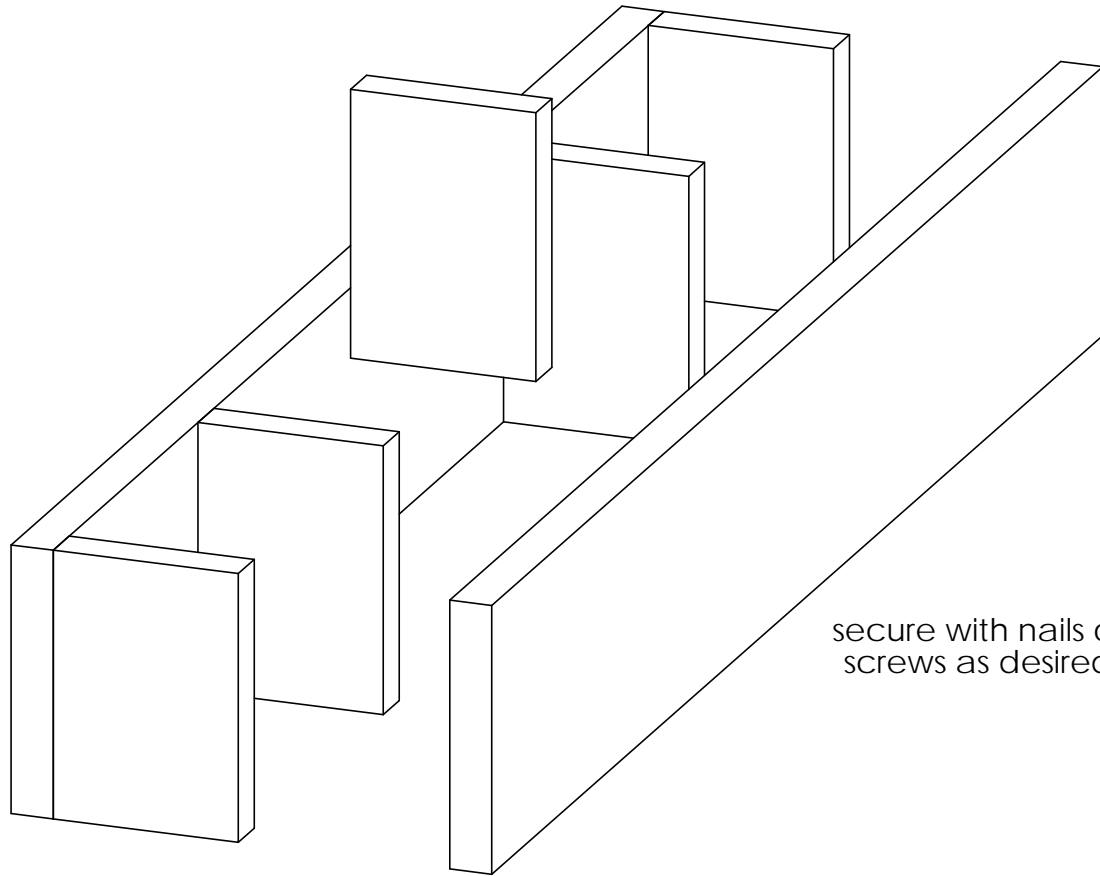
56628



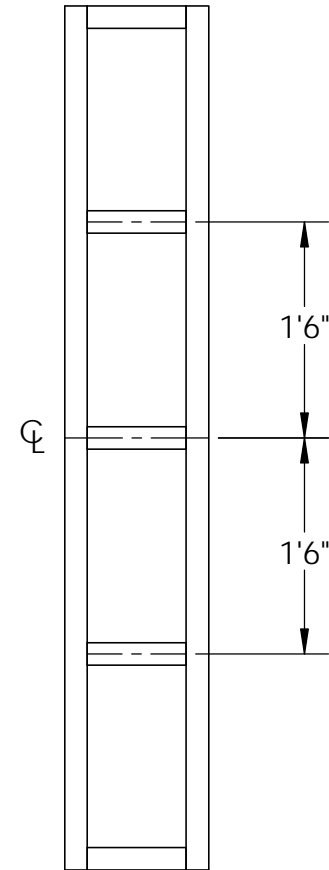


Suggested Tools
(others may be required)

OZCO Project #112 - Rustic Bench

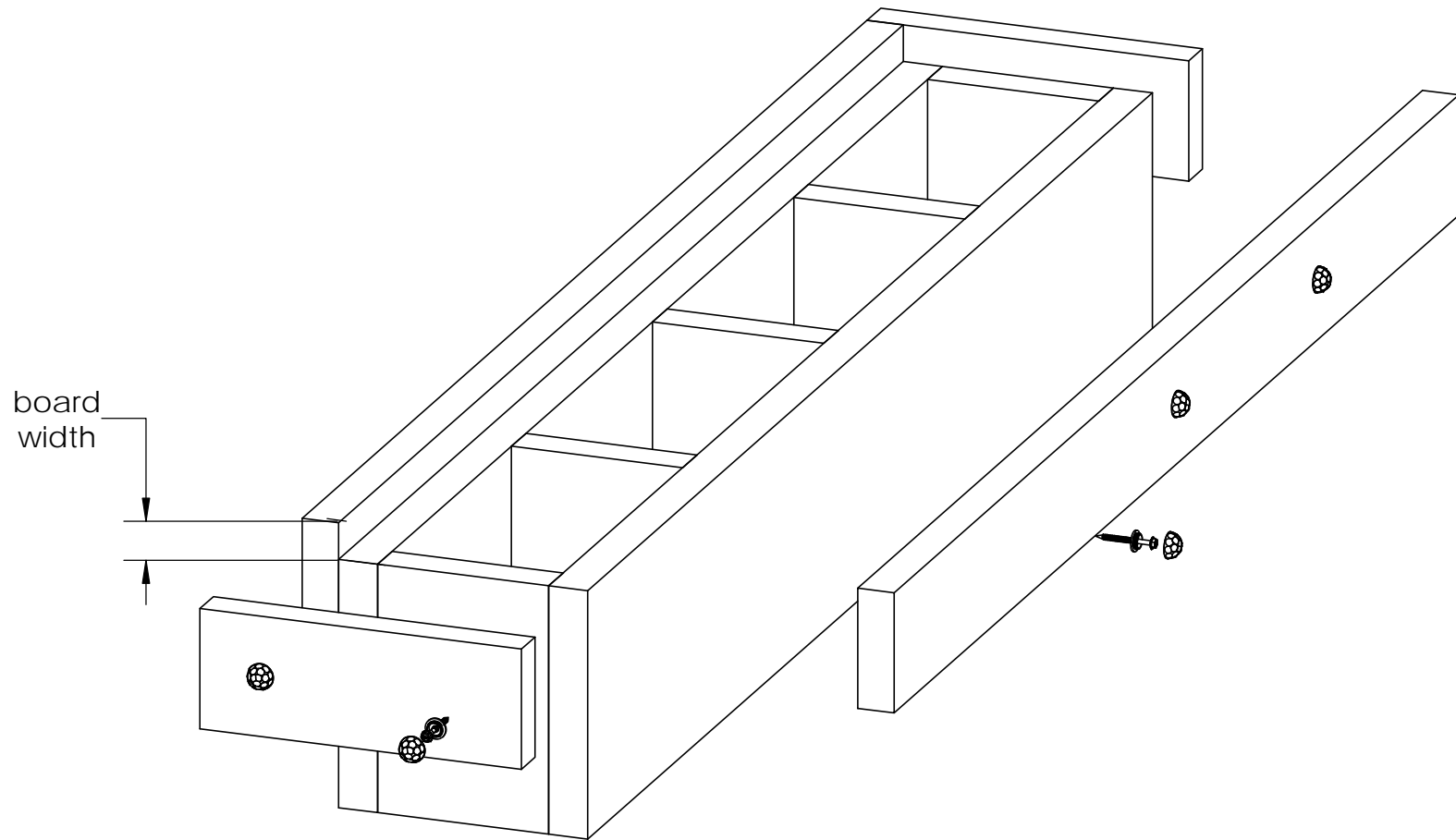


secure with nails or
screws as desired



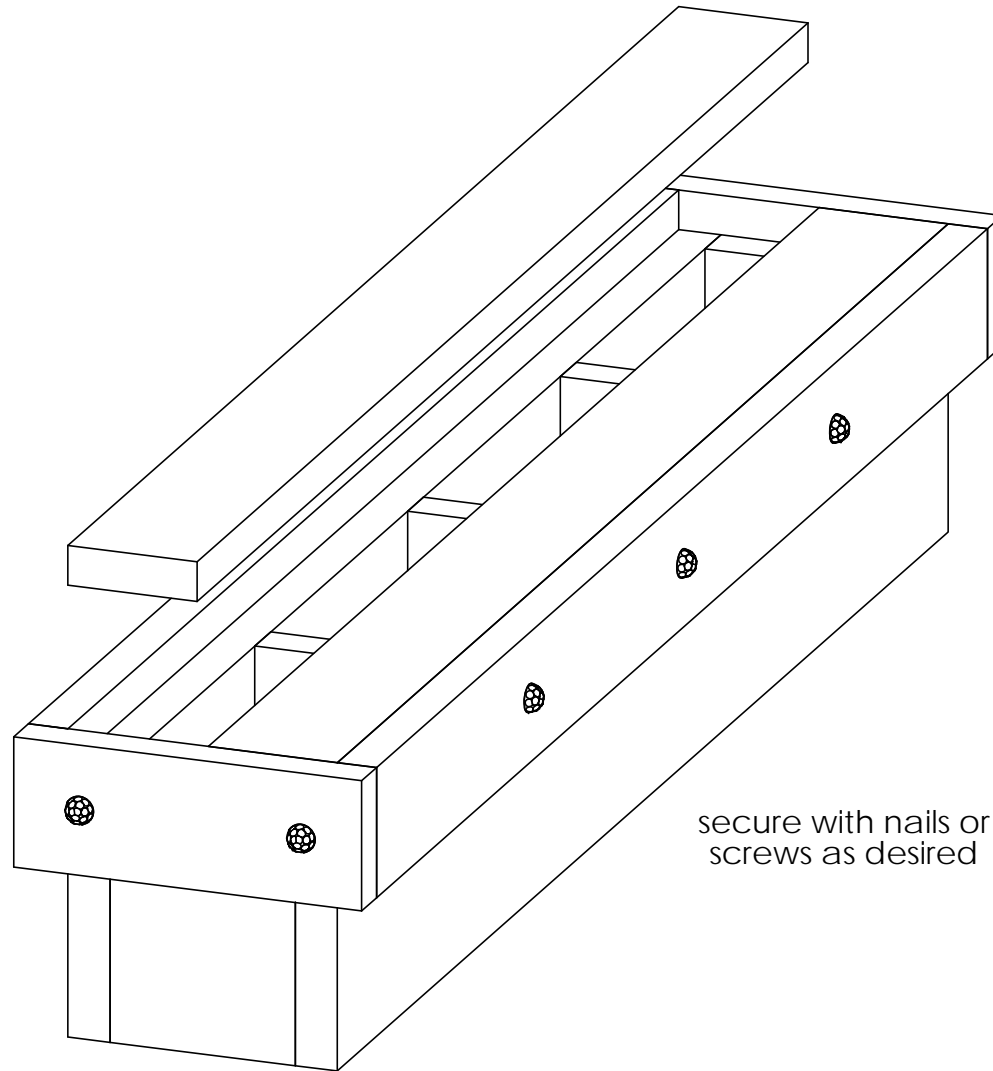
step 1

OZCO Project #112 - Rustic Bench



step 2

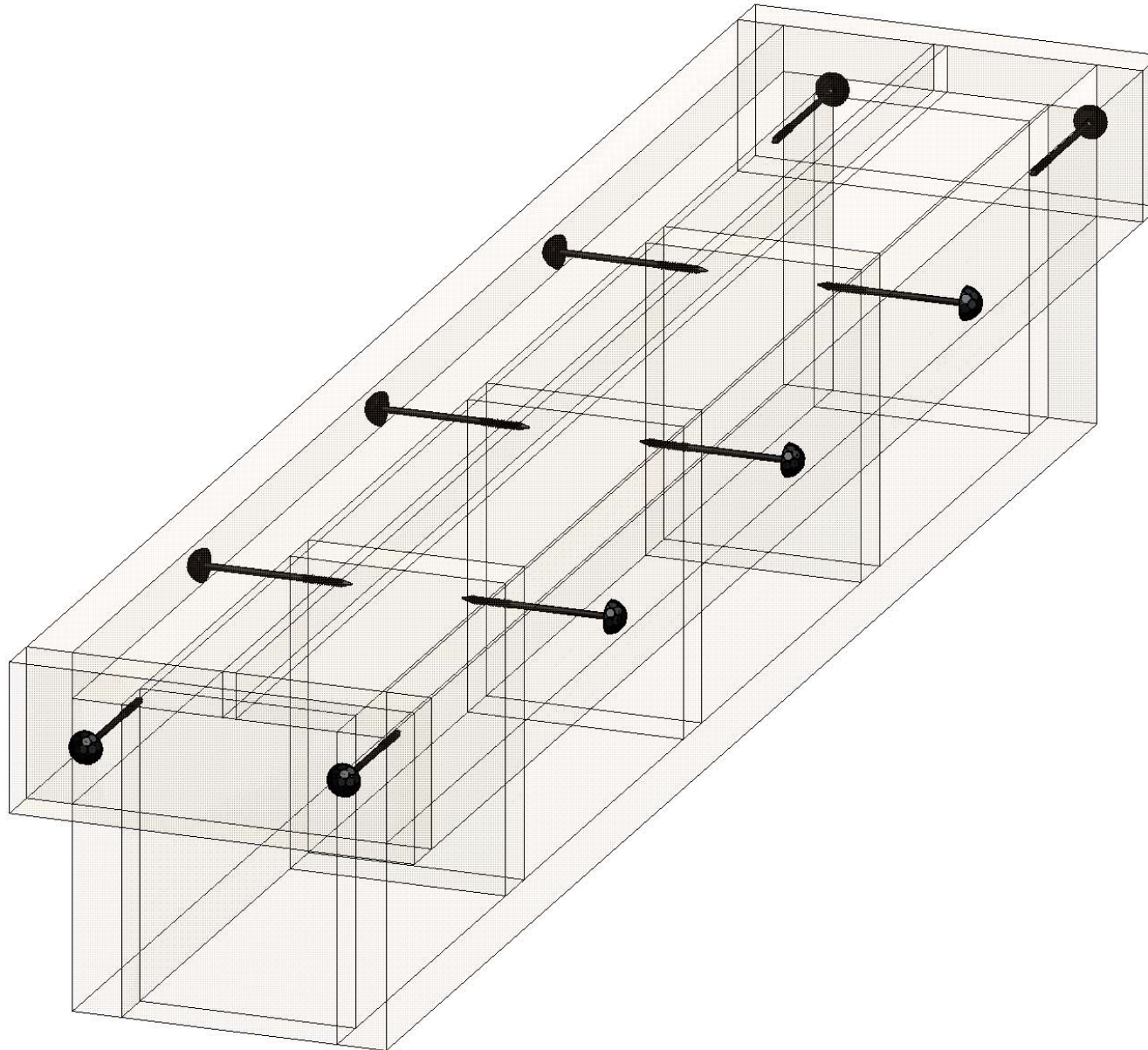
OZCO Project #112 - Rustic Bench



secure with nails or
screws as desired

step 3

OZCO Project #112 - Rustic Bench



Translucent

OZCO Project #112 - Rustic Bench