

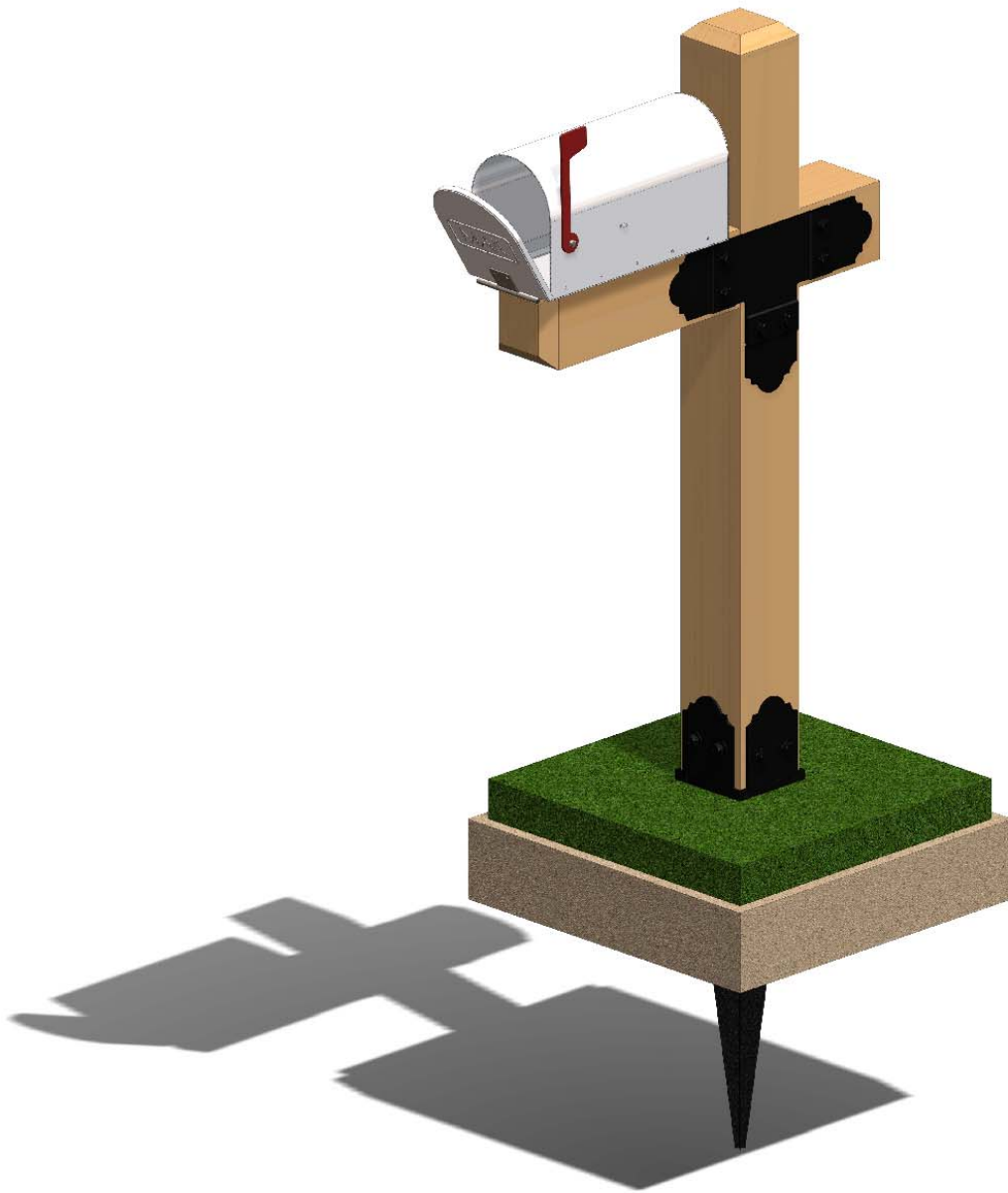
**DESIGN**

**PURCHASE**

**CONSTRUCT**

**ENJOY**

## OZCO Project #110 - Estate Wooden Mailbox Post Assembly



OZCO Project #110 - Estate Wooden Mailbox Post Assembly

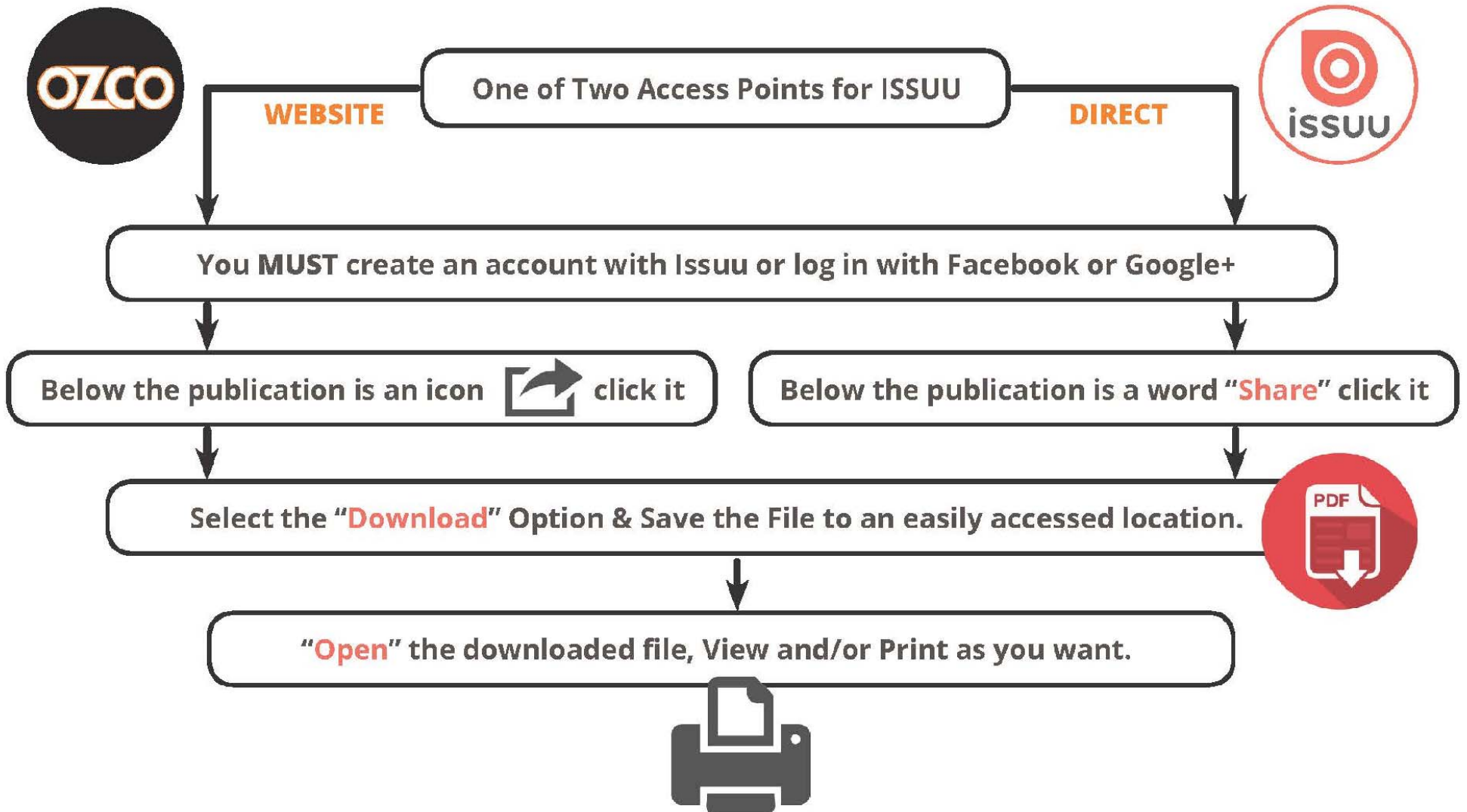


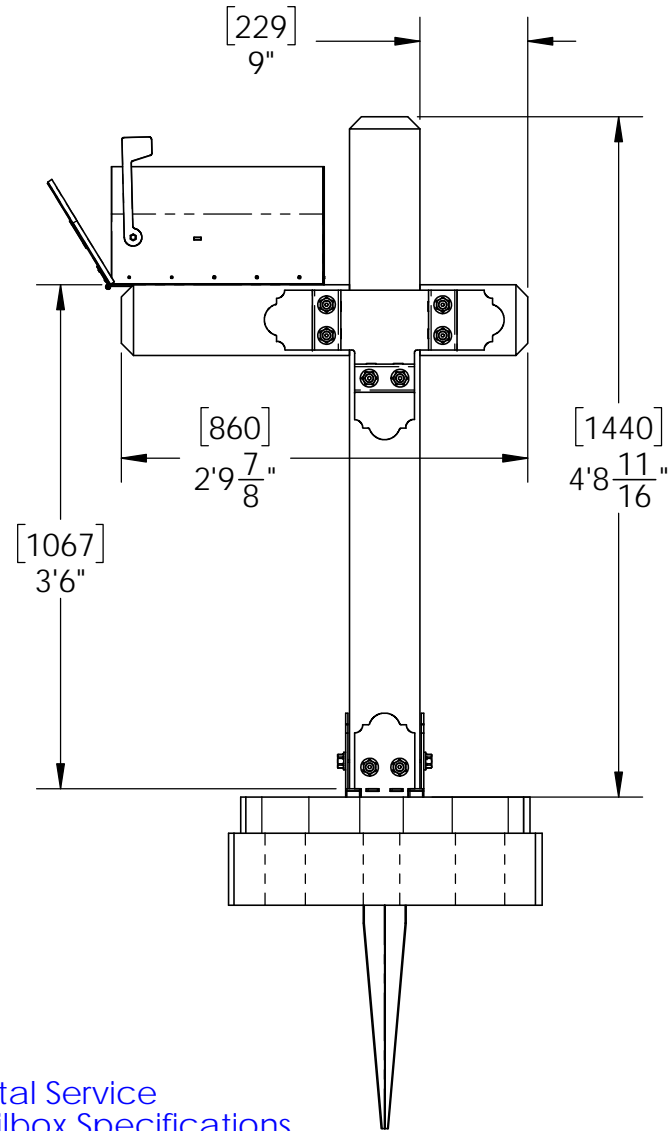
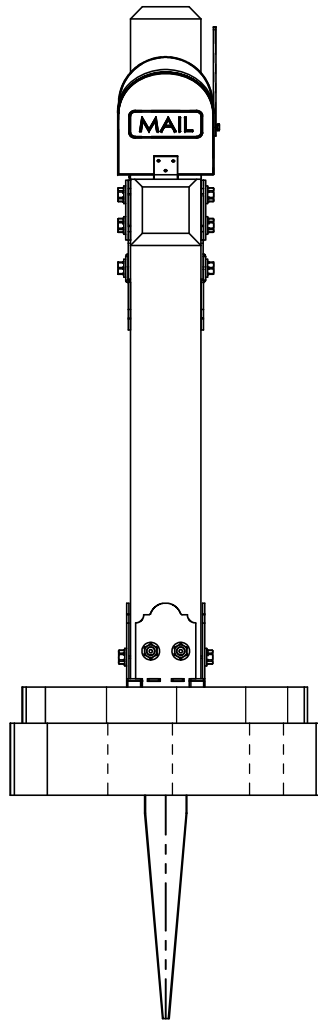
**OZCO** BUILDING PRODUCTS ■■■



# Printing Documents from ISSUU

Unfortunately, there is currently no way to print content directly through issuu. To print a publication, you will need to download it and print it from your computer.

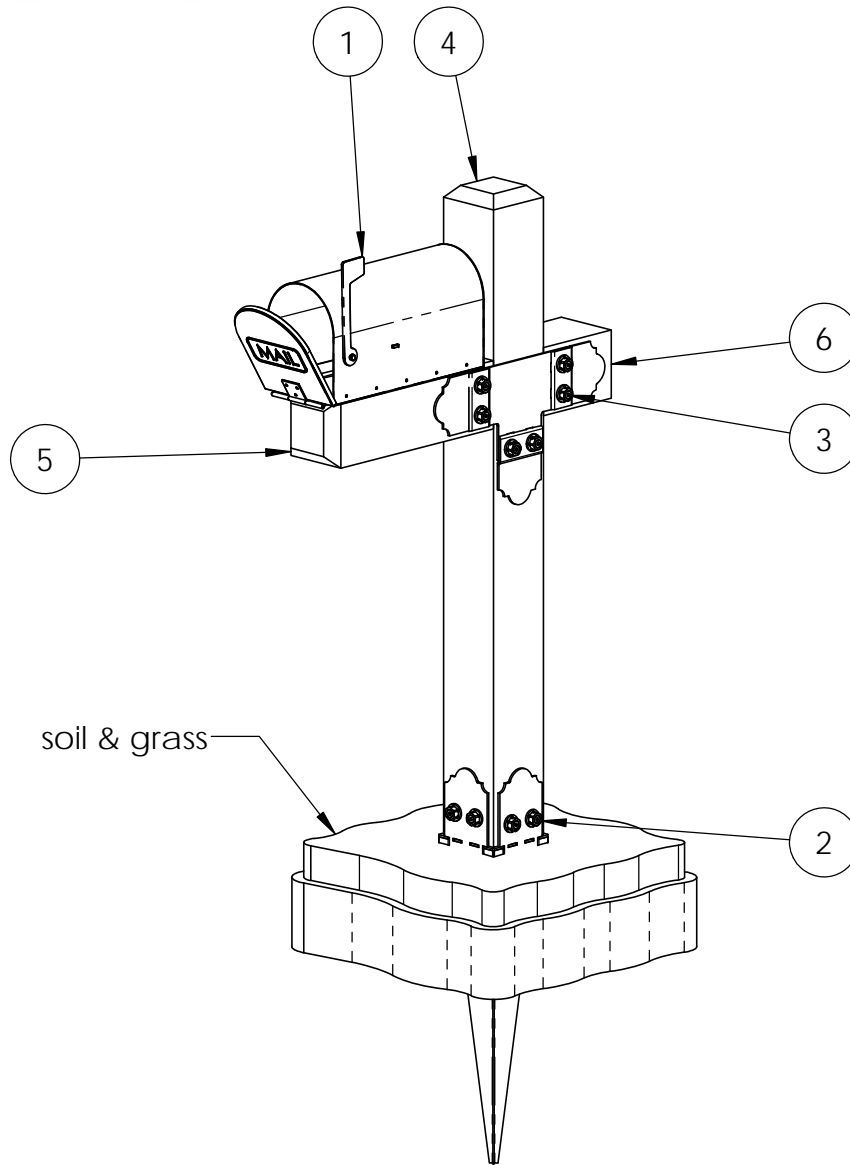




Postal Service  
Mailbox Specifications

## Overview

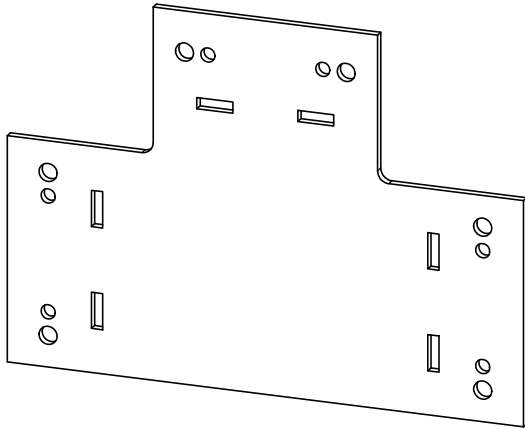
OZCO Project #110 - Estate Wooden Mailbox Post Assembly



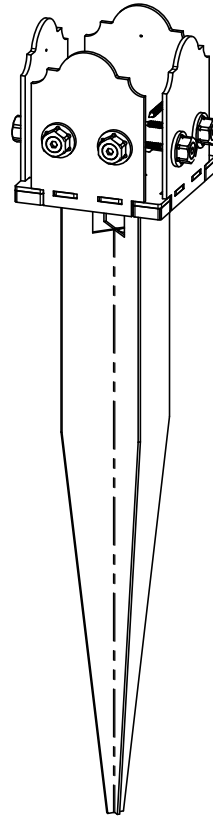
ITEM NO.	QTY.	PART NUMBER	DESCRIPTION
1	1	mailbox	
2	1	56633	6x6 Post Anchor Kit (6x6-OPAK-LS)
3	1	56612	"T" Tie Plate (TTP)
	3	56611	Truss Accent (TA-LS)
	1	56625	OWT Timber Screw 1-3/4"
4	1	6x6 Cedar Post	6x6x4'8"
5	1	6x6 Cedar Post	6x6x1'7"
6	1	6x6 Cedar Post	6x6x9"

## Bill of Materials

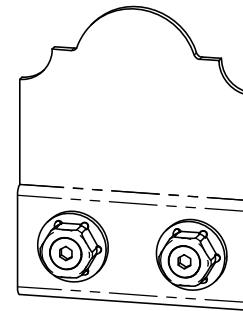
OZCO Project #110 - Estate Wooden Mailbox Post Assembly



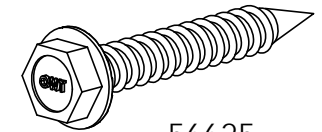
56612



56633

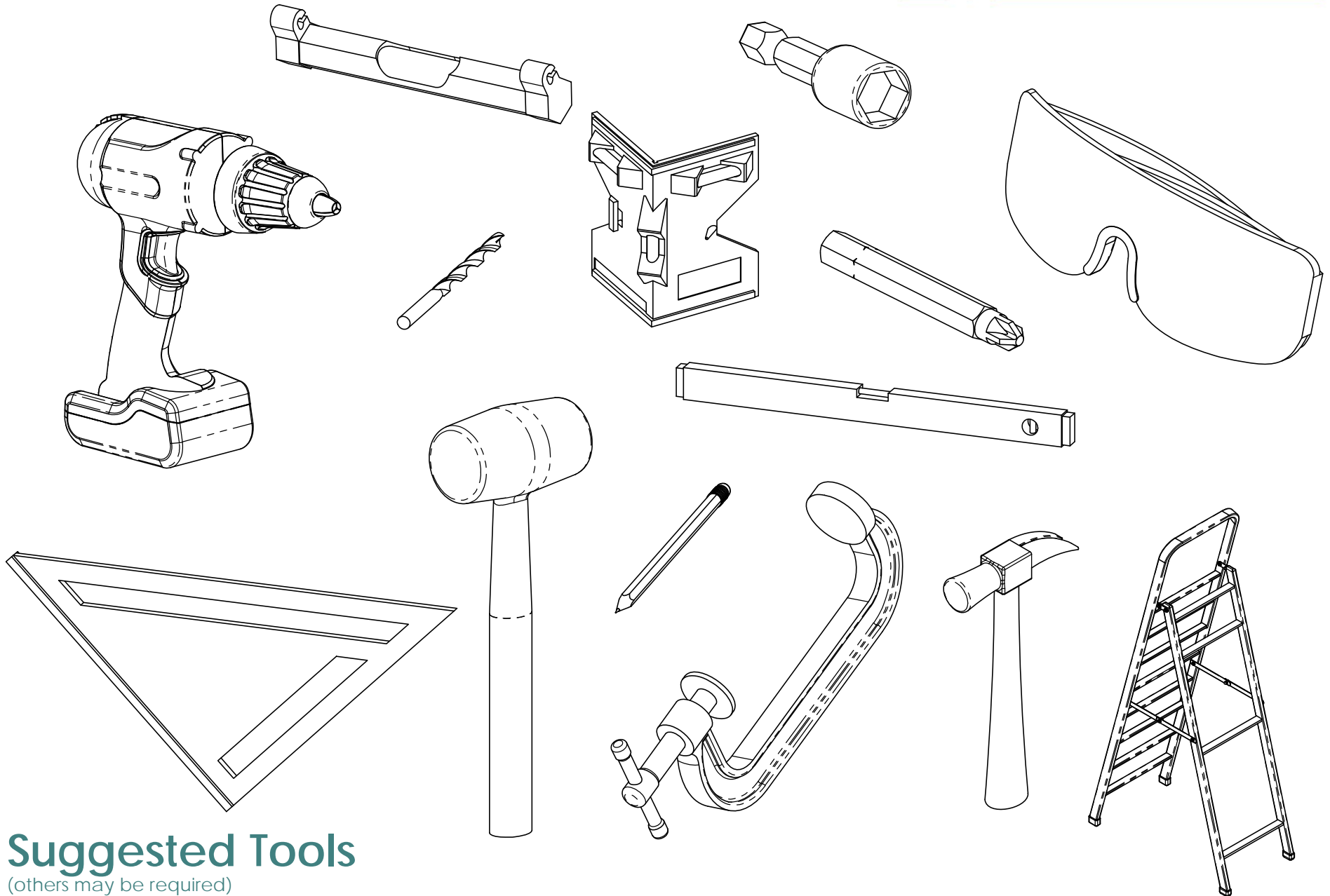


56611



56625

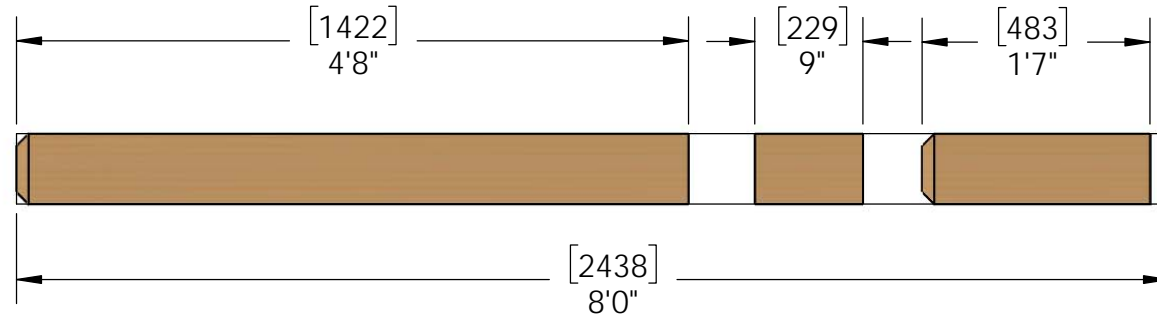




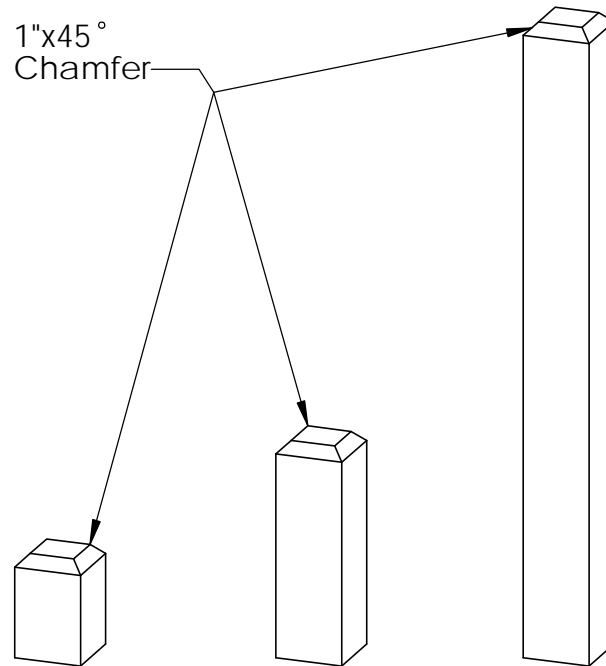
## Suggested Tools

(others may be required)

**OZCO Project #110 - Estate Wooden Mailbox Post Assembly**

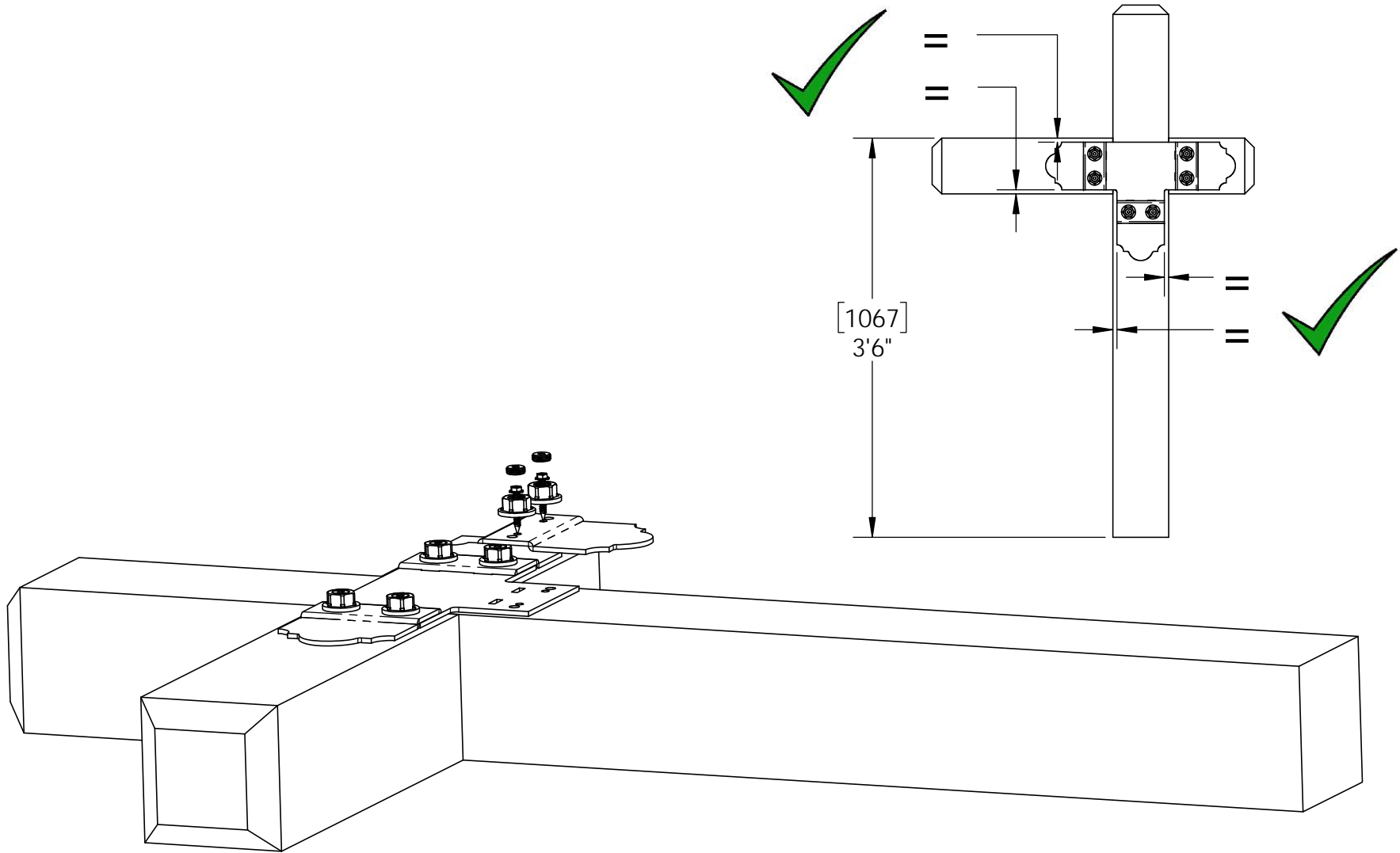


6x6x8 Post  
(cut all wood from 1 post)



## Cutlist

OZCO Project #110 - Estate Wooden Mailbox Post Assembly

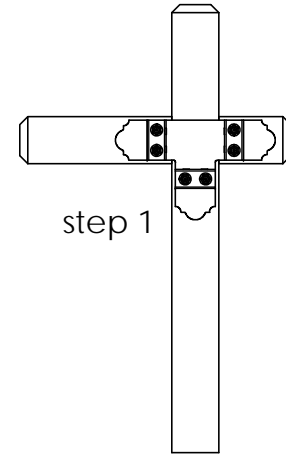
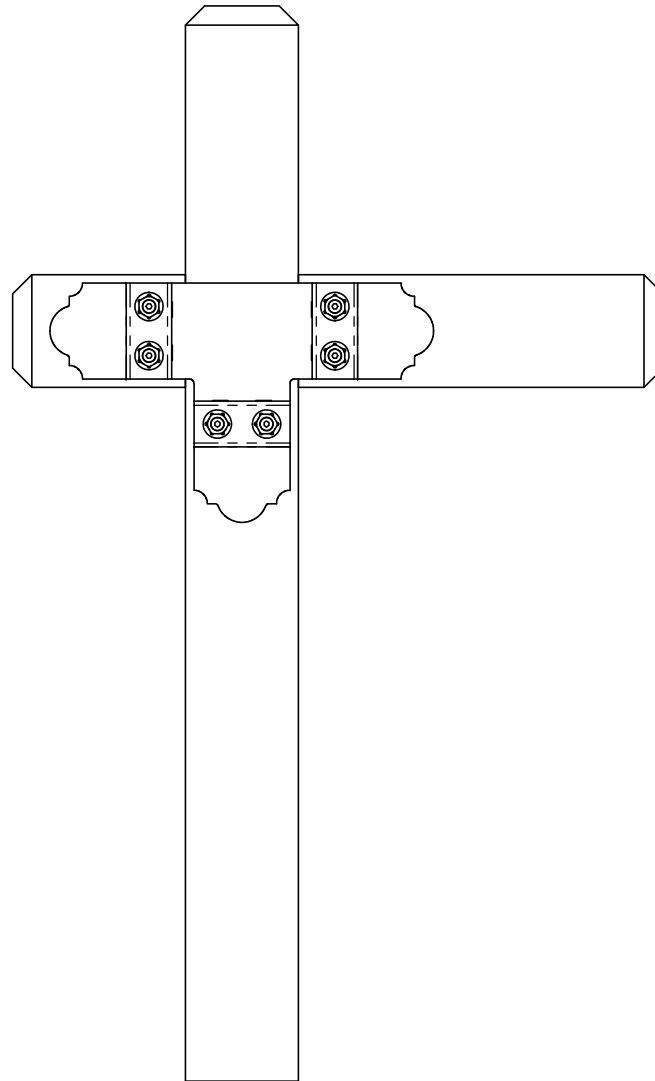


assemble on flat non-marring surface

**step 1**

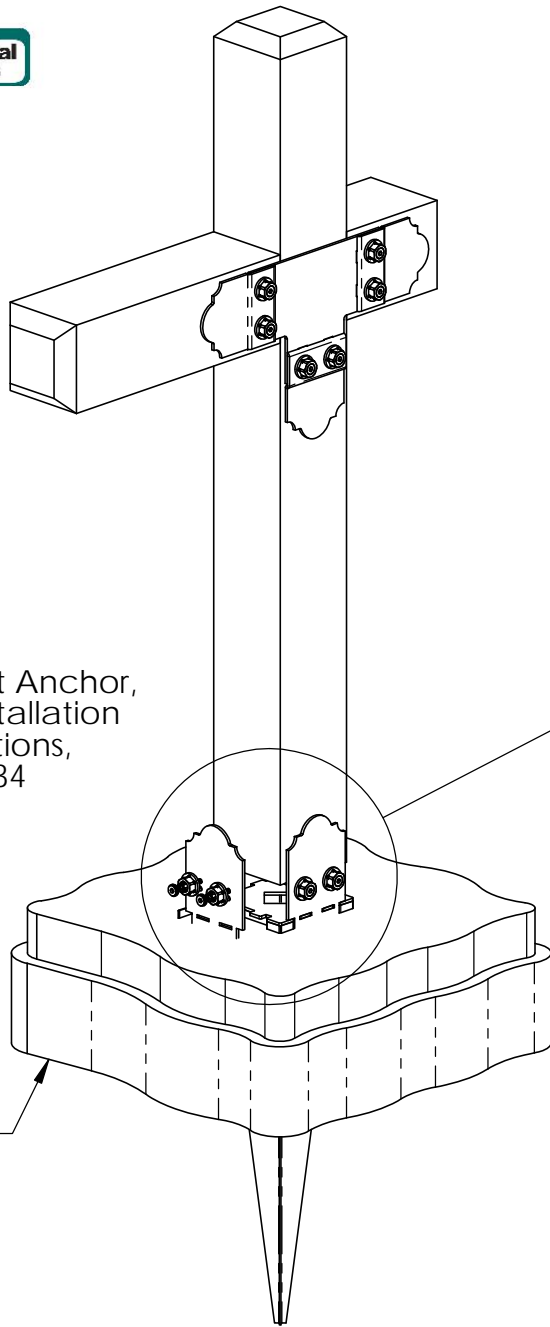
OZCO Project #110 - Estate Wooden Mailbox Post Assembly





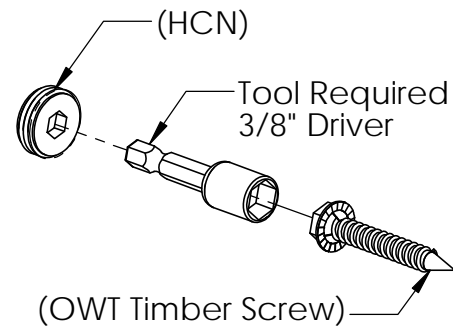
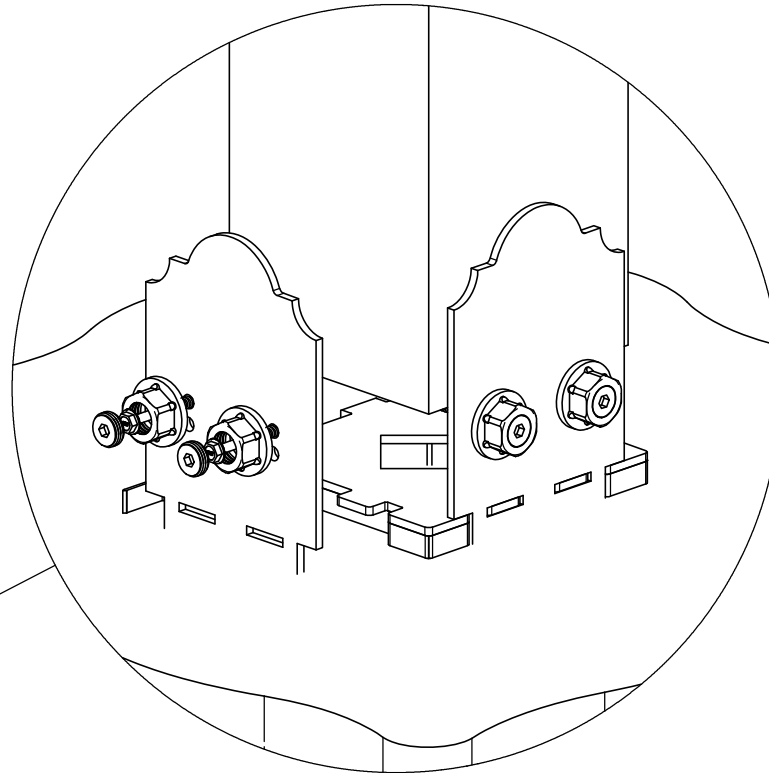
**step 2**  
repeat step 1 on opposite side

**OZCO Project #110 - Estate Wooden Mailbox Post Assembly**



for Post Anchor,  
see Installation  
Instructions,  
56632-34

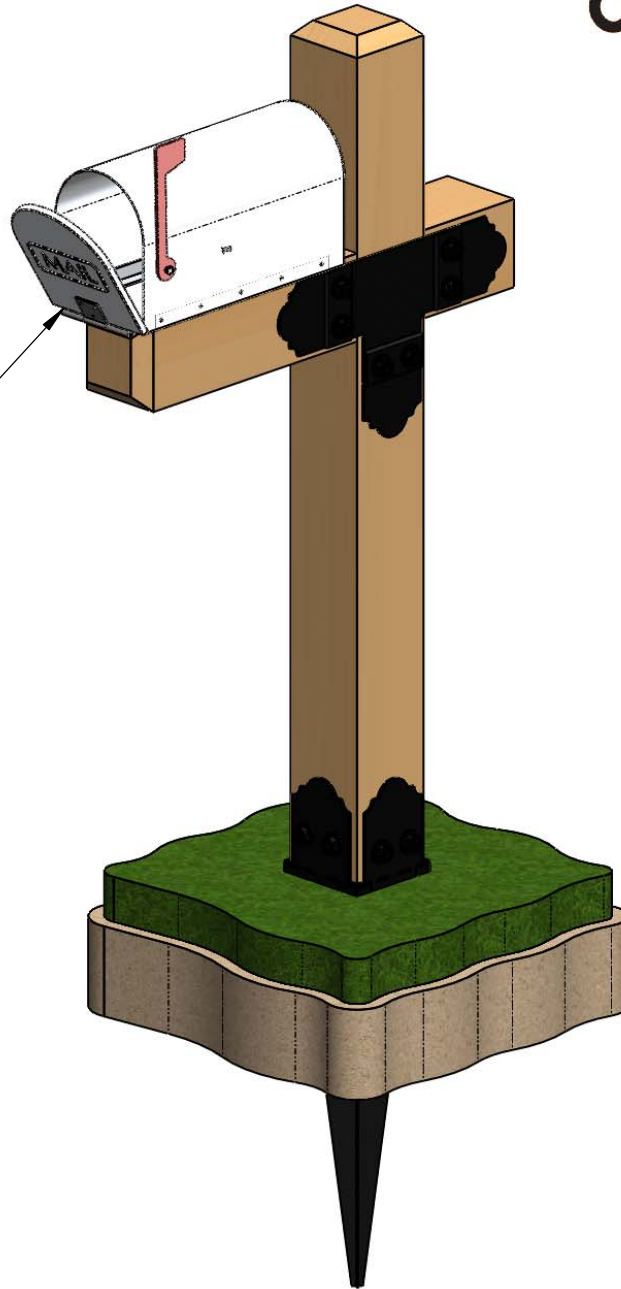
soil & grass



### step 3

#### OZCO Project #110 - Estate Wooden Mailbox Post Assembly

install mailbox per  
manufacturers instructions



## step 4

**OZCO Project #110 - Estate Wooden Mailbox Post Assembly**