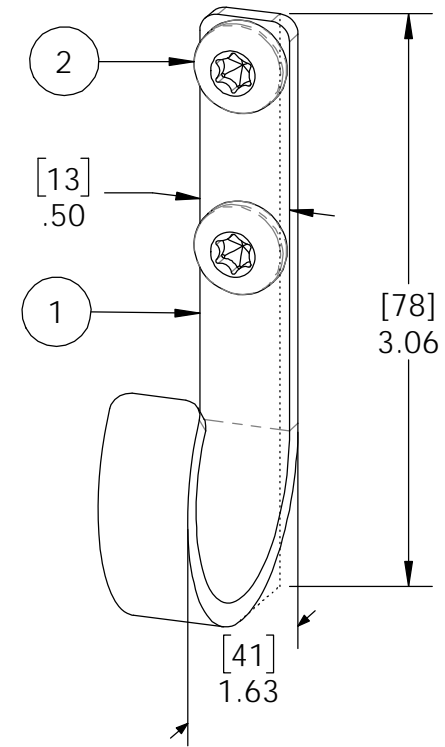
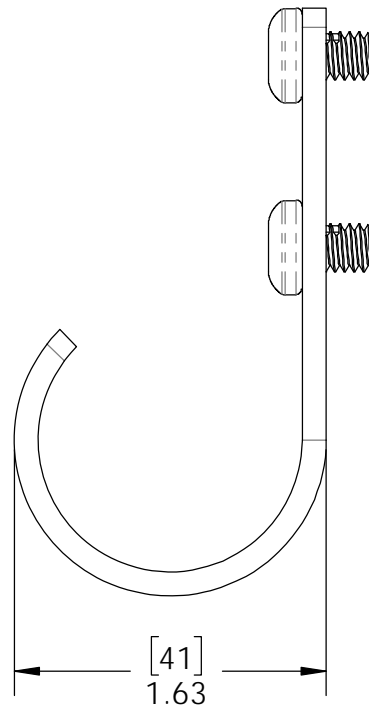
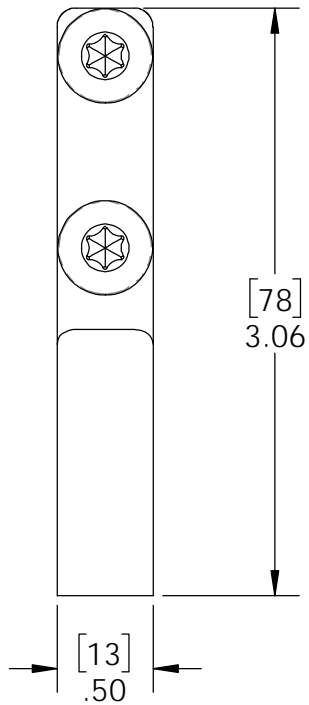


Product & Packaging Specs

OWT Hardware Accessory - Towel Hook (HA-TH)

Item #: 57708

ITEM NO.	QTY.	PART NUMBER	DESCRIPTION
1	1	57708	OWT Hardware Accessory - Towel Hook
2	2	Screw	Screw, .25-20 x .375 Torx Black with Locking Patch



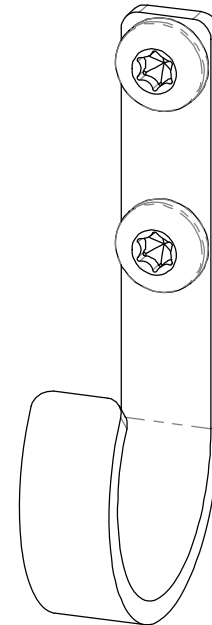
Weight: 0.11 LBS
Scale: 1:1
Last updated: 12/21/2017

57708



Product & Packaging Specs

OWT Hardware Accessory - Towel Hook (HA-TH)
Item #: 57708



Weight: 0.11 LBS
Scale: 1:1
Last updated: 12/21/2017

57708

V2.00 - Installation Instructions, Specifications and Project Plans are effective 12/21/2017 . This information is updated periodically² and should not be relied upon after 2 years from 12/21/2017 . Please visit OZCOBP.com to get current information.

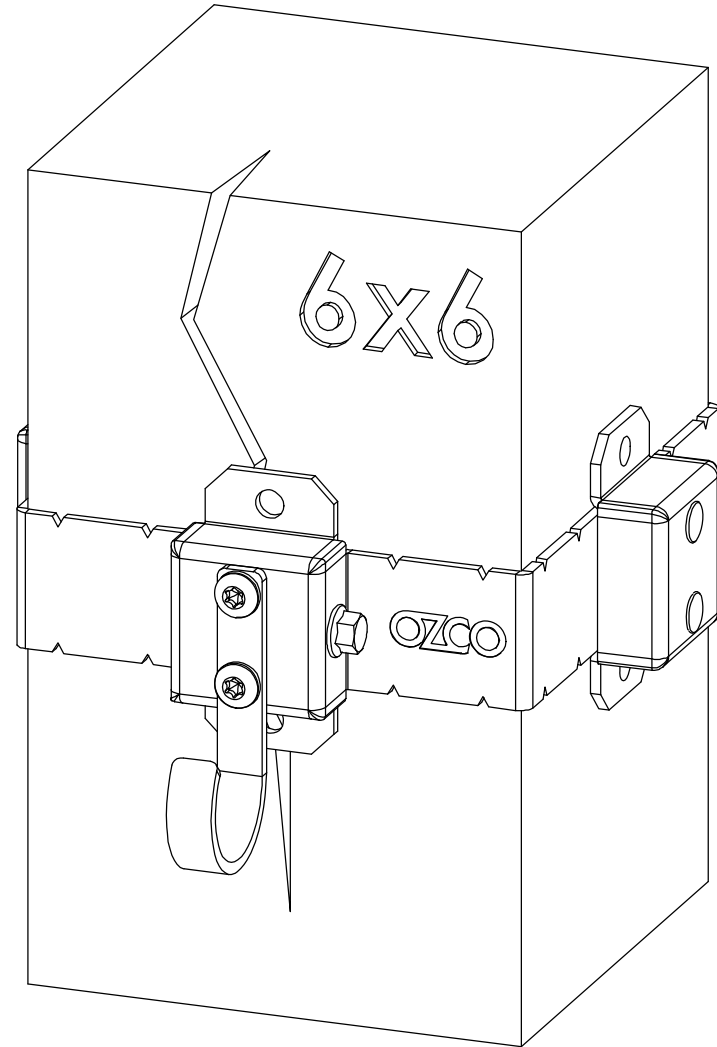
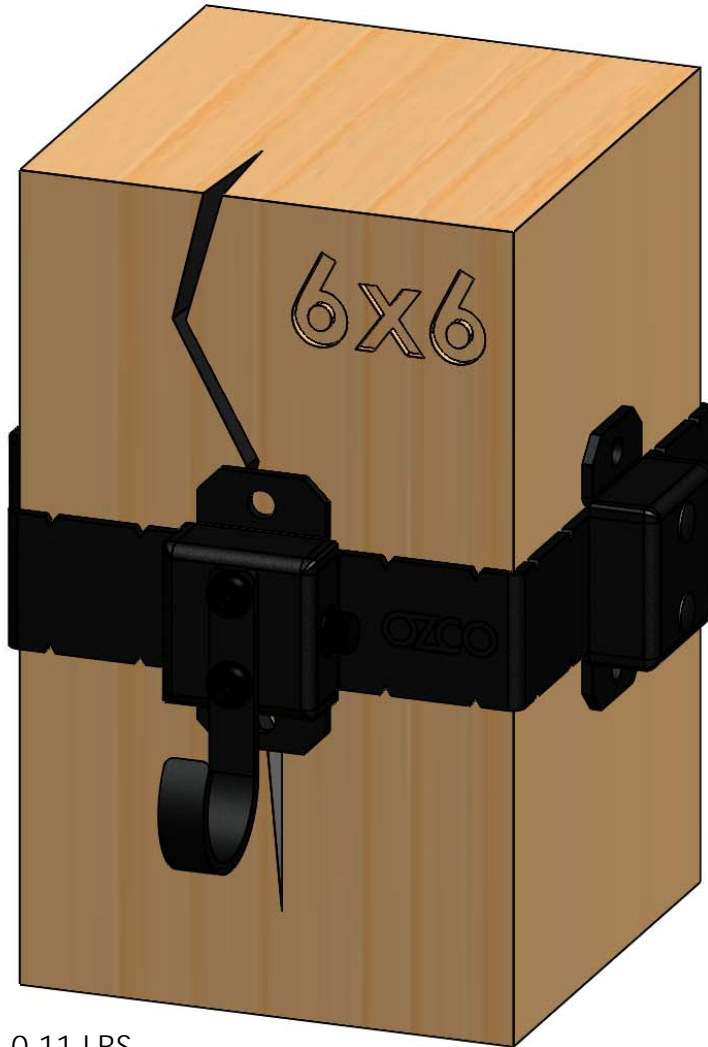


OZCO BUILDING PRODUCTS

Product & Packaging Specs

OWT Hardware Accessory - Towel Hook (HA-TH)

Item #: 57708



Weight: 0.11 LBS
Scale: 1:2
Last updated: 12/21/2017

shown installed on [6x6 Post Band \(51786\)](#); [4x4](#) & [8x8 Post Bands](#) available

57708

V2.00 - Installation Instructions, Specifications and Project Plans are effective 12/21/2017 . This information is updated periodically and should not be relied upon after 2 years from 12/21/2017 . Please visit OZCOBP.com to get current information.

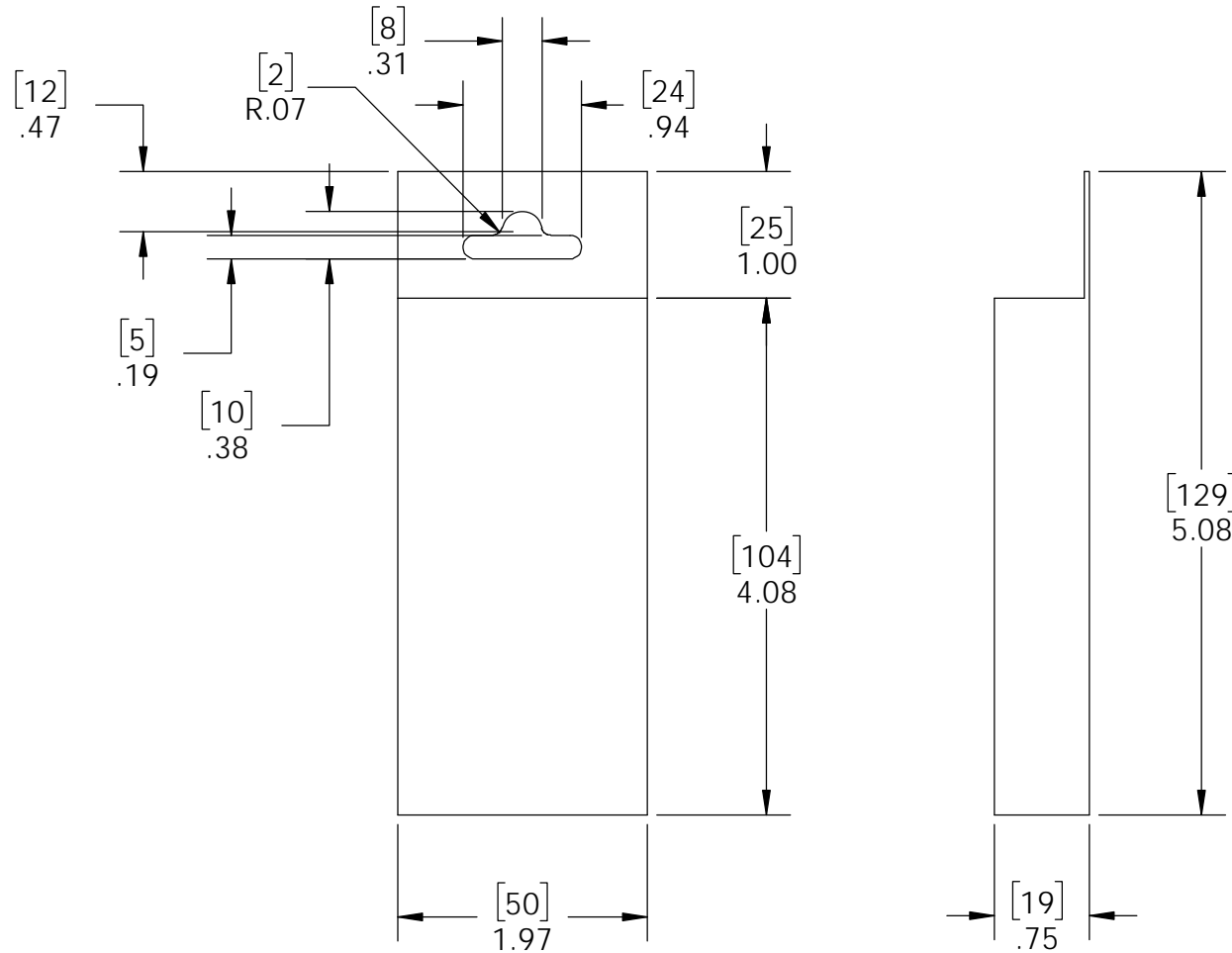


OZCO BUILDING PRODUCTS

Product & Packaging Specs

Box, 57708

Item #: Box



Material: Corrugated Paper

Finish: -

Weight: 0.01 LBS

Scale: 1:1.5

Last updated: 12/21/2017

57708

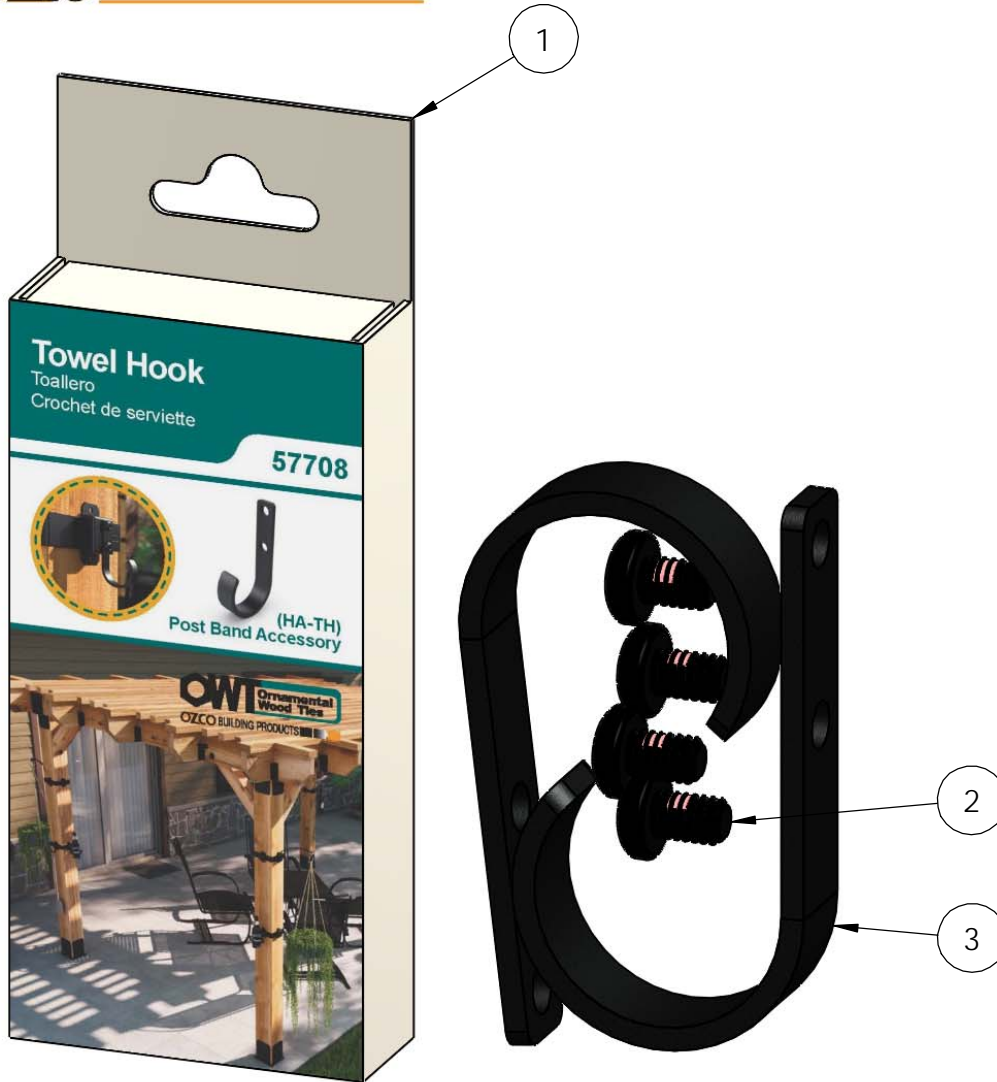


OZCO BUILDING PRODUCTS

Product & Packaging Specs

57708 Packing

Item #: Box packing



ITEM NO.	Box packing/ QTY.	PART NUMBER	DESCRIPTION
1	1	Box, 57708	Box, 57708
2	4	Screw	Screw, .25-20 x .375 Torx Black with Locking Patch
3	2	57708	OWT Hardware Accessory - Towel Hook

Weight: .3 LBS
 Scale: 1:1
 Last updated: 12/21/2017

57708

additional box packing instructions

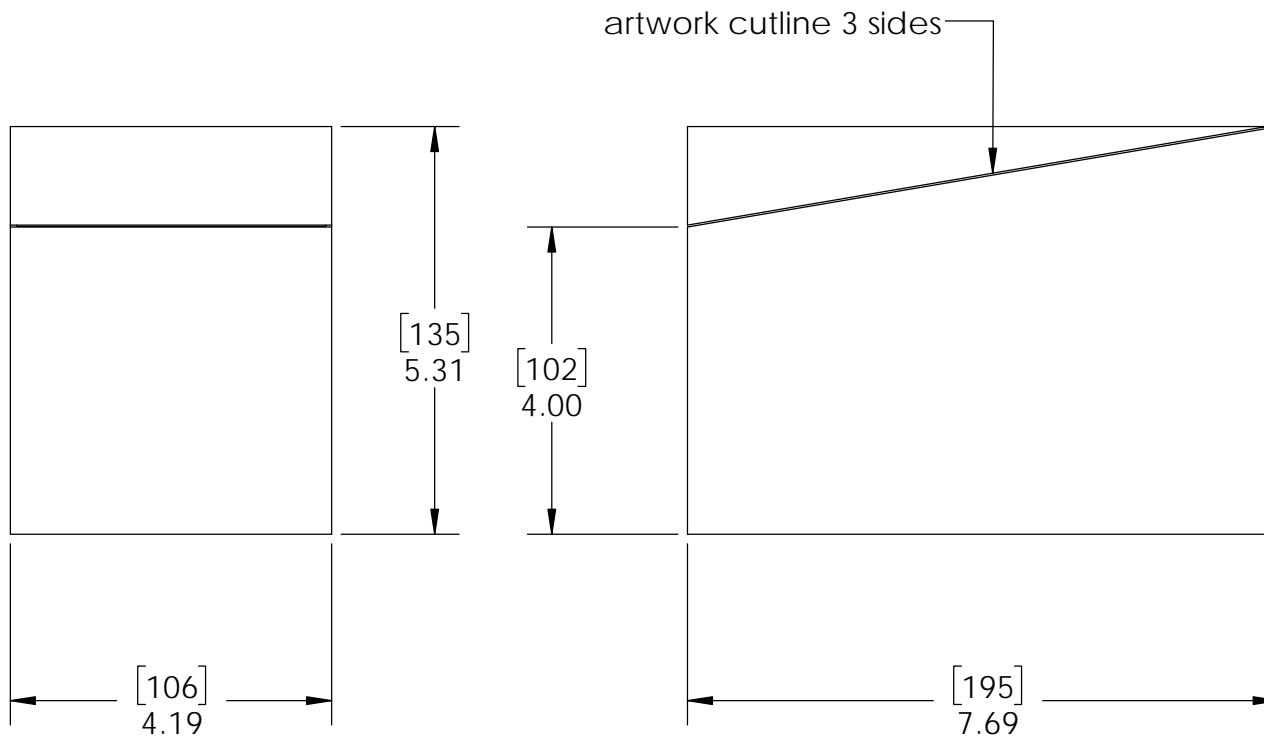
- cellophane clear wrap package

V2.00 - Installation Instructions, Specifications and Project Plans are effective 12/21/2017 . This information is updated periodically and should not be relied upon after 2 years from 12/21/2017 . Please visit OZCOBP.com to get current information.

Product & Packaging Specs

Case, 57708

Item #: Case



Weight: 0.08 LBS
 Scale: 1:2.5
 Last updated: 12/21/2017

57708

Product & Packaging Specs

57708 Packing

Item #: Case packing



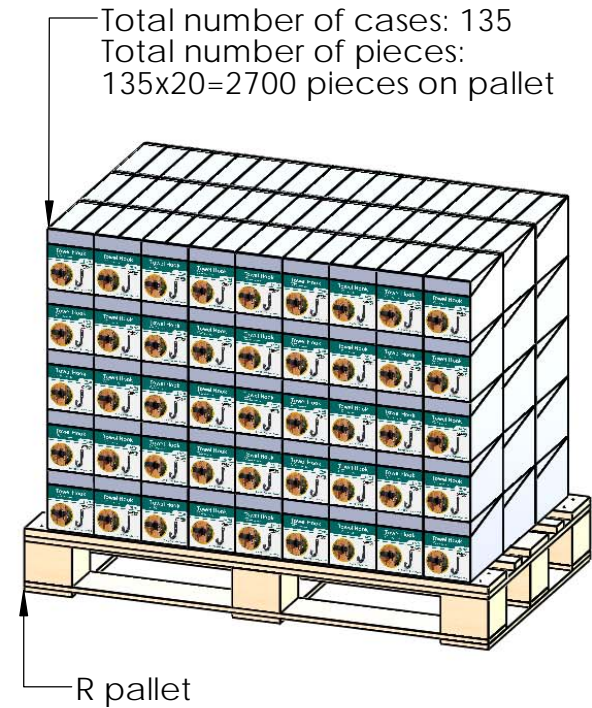
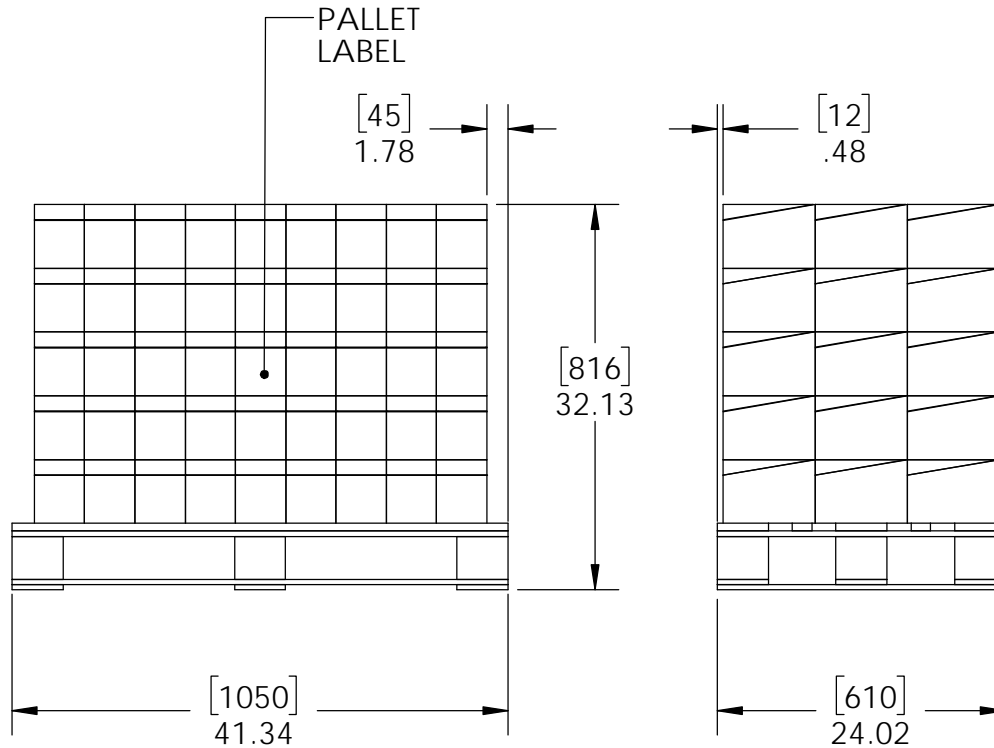
Material:
Finish:
Weight: 8 LBS
Scale: 1:1.5
Last updated: 12/21/2017

57708

Product & Packaging Specs

57708 Packing

Item #: Pallet packing



Weight: 1110 LBS
 Scale: 1:16
 Last updated: 12/21/2017

57708

additional pallet packing instructions

- plywood on top layer
- strap to pallet
- clear wrap around boxes

