

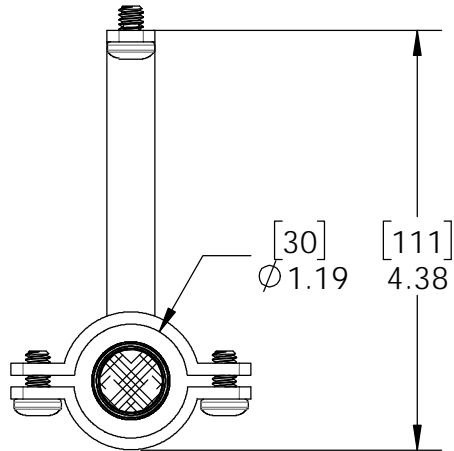


OZCO BUILDING PRODUCTS

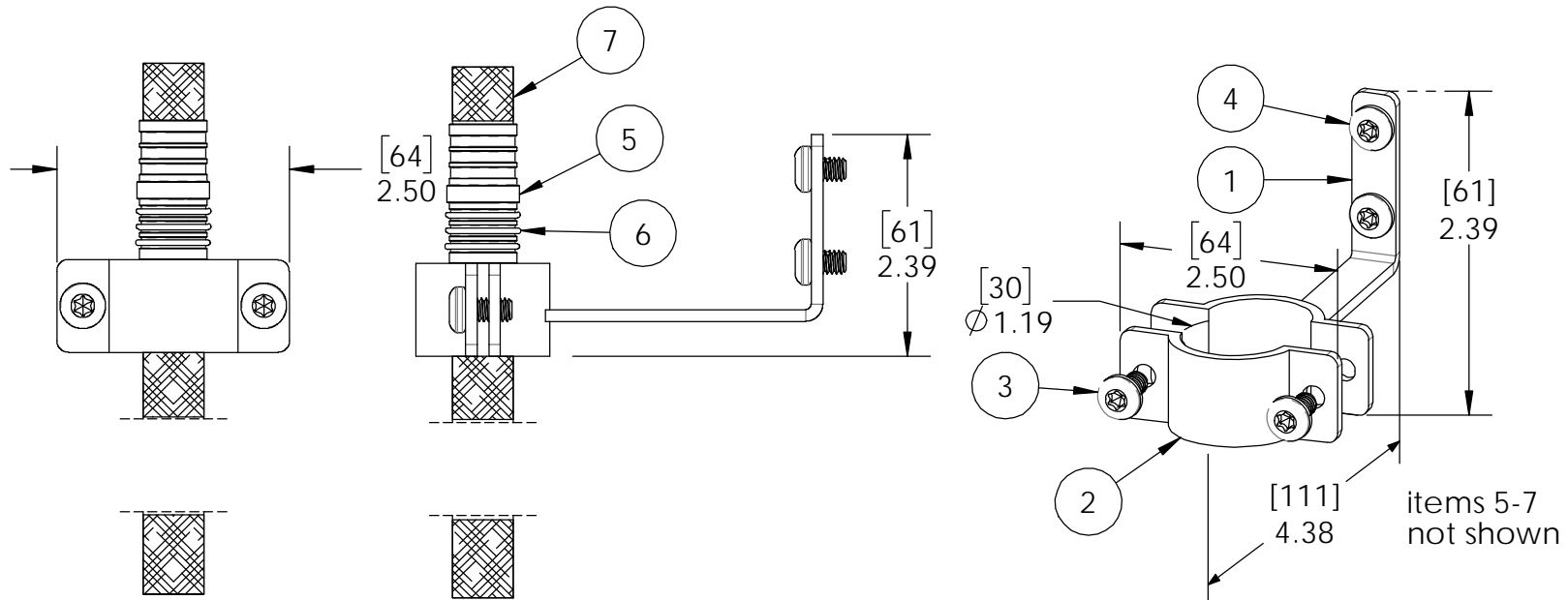
# Product & Packaging Specs

## OWT Hardware Accessory - Wine Bottle Holder (HA-WBH)

Item #: 57705



ITEM NO.	QTY.	PART NUMBER	DESCRIPTION
1	1	57705-01	OWT Hardware Accessory - Wine Bottle Holder Bracket
2	1	57705-02	OWT Hardware Accessory - Wine Bottle Holder Cap
3	2	Screw	Screw, .25-20 x .5 SS Black
4	2	Screw	Screw, .25-20 x .375 Torx Black with Locking Patch
5	1	57705-11	Wick Holder, Wine Bottle Holder (HA-WBH)
6	3	o-rings series .070	
7	1	57705-12	Wick, Wine Bottle Holder (HA-WBH)



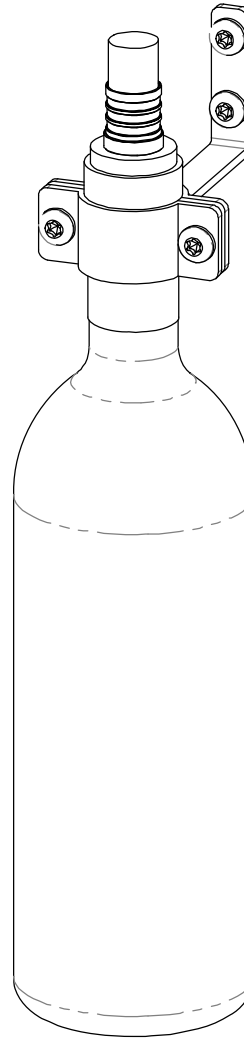
Weight: 1.84 LBS  
 Scale: 1:2  
 Last updated: 2/7/2018

57705



# Product & Packaging Specs

OWT Hardware Accessory - Wine Bottle Holder (HA-WBH)  
Item #: 57705

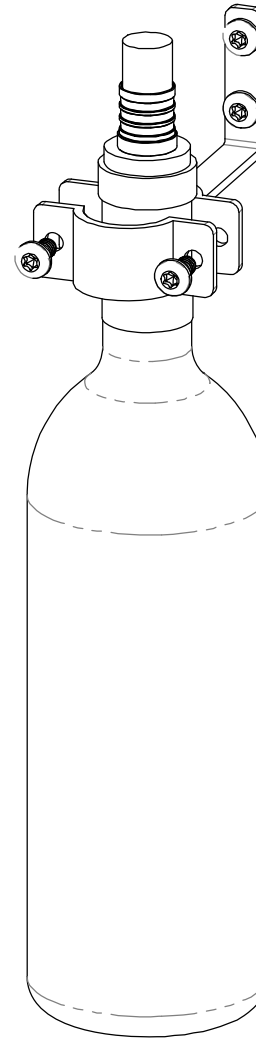


Weight: 1.84 LBS  
Scale: 1:2.5  
Last updated: 2/7/2018

57705

# Product & Packaging Specs

OWT Hardware Accessory - Wine Bottle Holder (HA-WBH)  
Item #: 57705

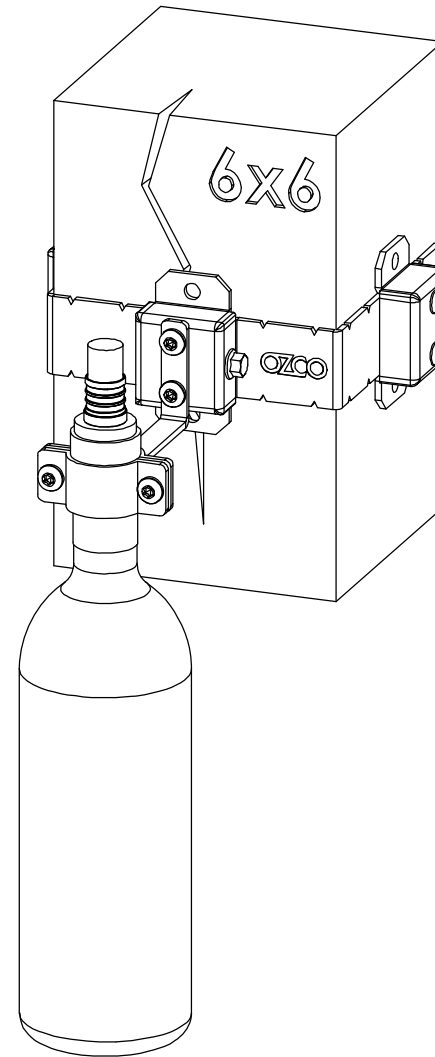
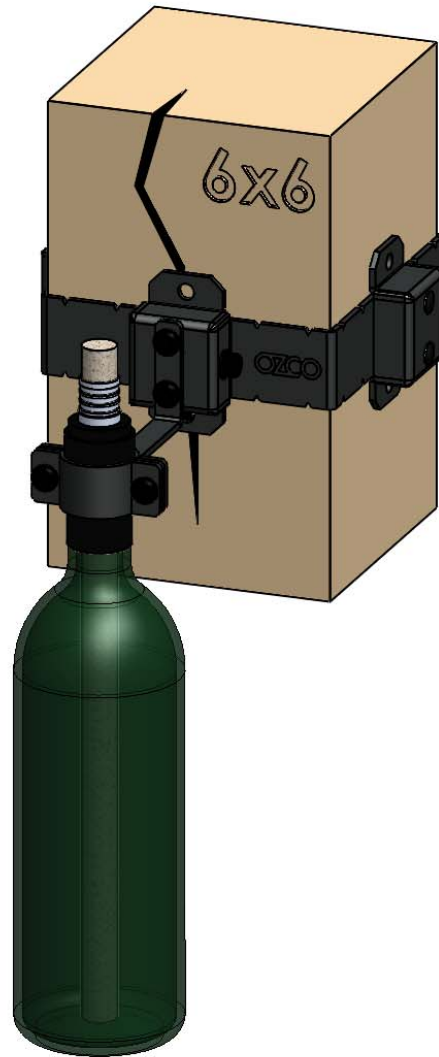


Weight: 1.84 LBS  
Scale: 1:2.5  
Last updated: 2/7/2018

57705

# Product & Packaging Specs

OWT Hardware Accessory - Wine Bottle Holder (HA-WBH)  
Item #: Typical Installation



Weight: 14.02 LBS  
Scale: 1:3.5  
Last updated: 2/7/2018

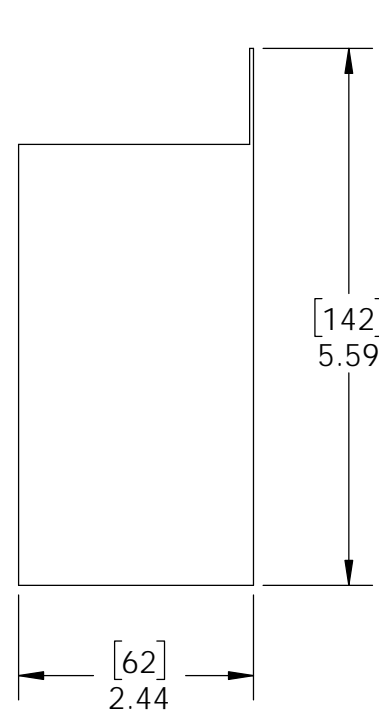
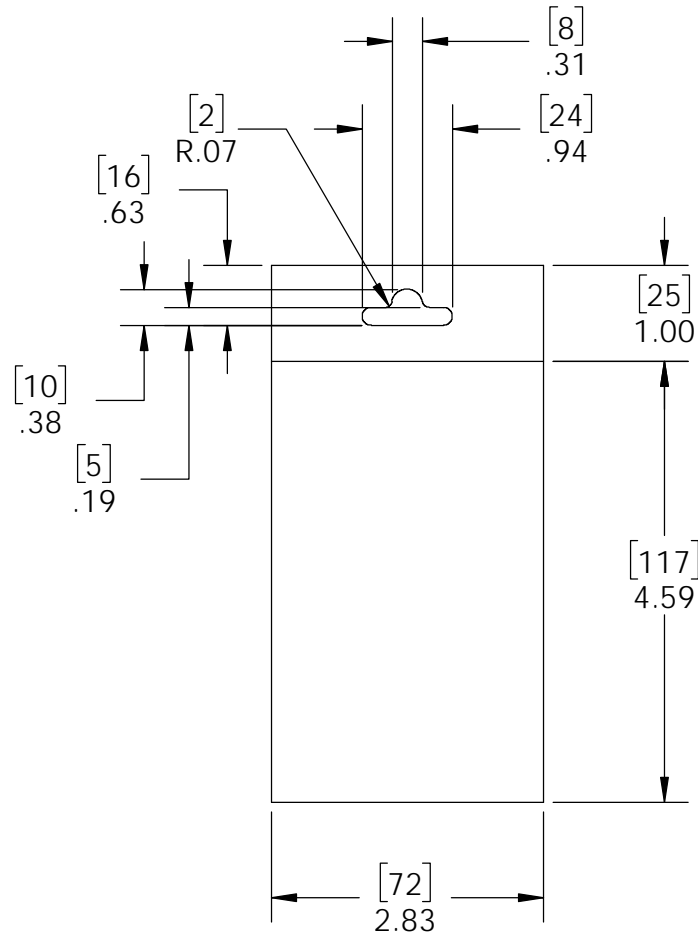
shown installed on [6x6 Post Band \(51786\)](#); 4x4 & 8x8 Post Bands available

57705

# Product & Packaging Specs

Box, 57705

Item #: Box



note



Material: Corrugated Paper  
Finish: see Artwork  
Weight: 0.01 LBS  
Scale: 1:2  
Last updated: 2/7/2018

57705



ITEM NO.	Box packing/QTY.	PART NUMBER	DESCRIPTION
1	1	Box, 57705	Box, 57705
2	2	Screw	Screw, .25-20 x .375 Torx Black with Locking Patch
3	1	57705-02	OWT Hardware Accessory - Wine Bottle Holder Cap
4	1	57705-01	OWT Hardware Accessory - Wine Bottle Holder Bracket
5	2	Screw	Screw, .25-20 x .5 SS Black
6	3	o-rings series .070	
7	1	57705-11	Wick Holder, Wine Bottle Holder (HA-WBH)
8	1	57705-12	Wick, Wine Bottle Holder (HA-WBH)

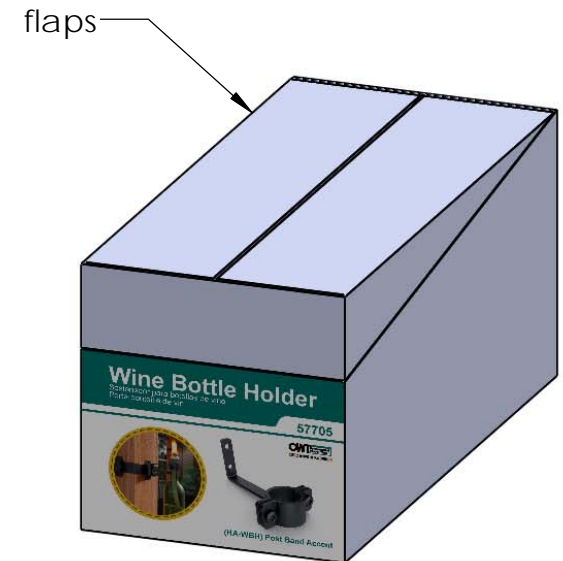
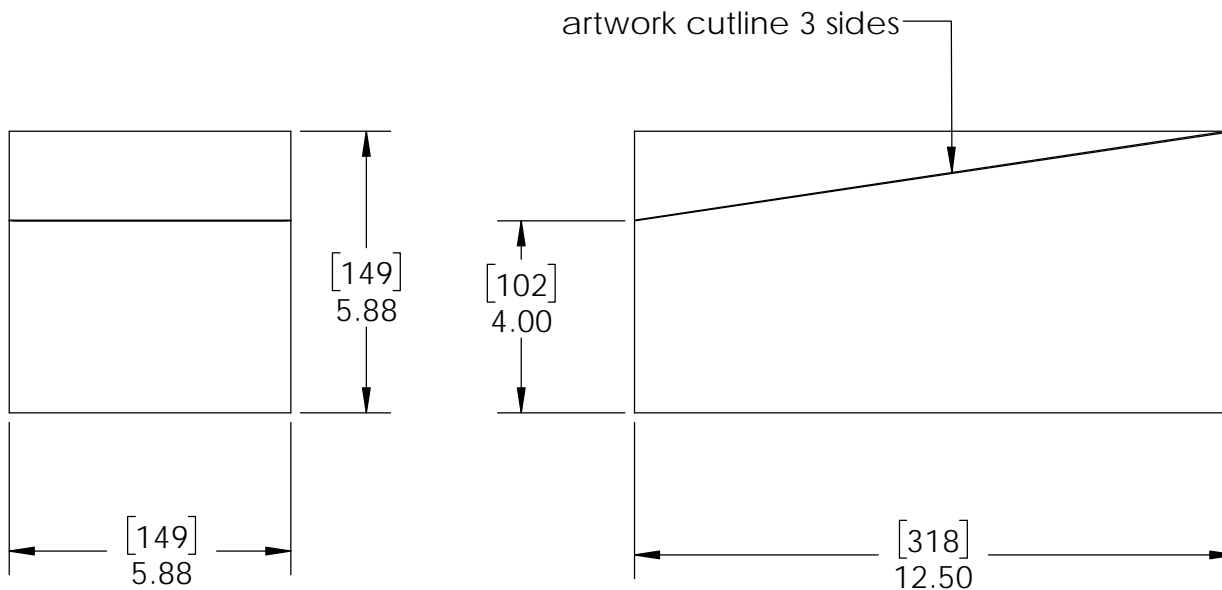
Weight: .24 LBS  
 Scale: 1:2  
 Last updated: 2/7/2018

additional box packing instructions  
 • cellophane clear wrap package

# Product & Packaging Specs

Case, 57705

Item #: Case



Material: Corrugated Paper  
Finish: See Artwork  
Weight: 0.16 LBS  
Scale: 1:4  
Last updated: 2/7/2018

57705

# Product & Packaging Specs

57705 Packing

Item #: Case packing



Weight: 3 LBS  
Scale: 1:2.5  
Last updated: 2/7/2018

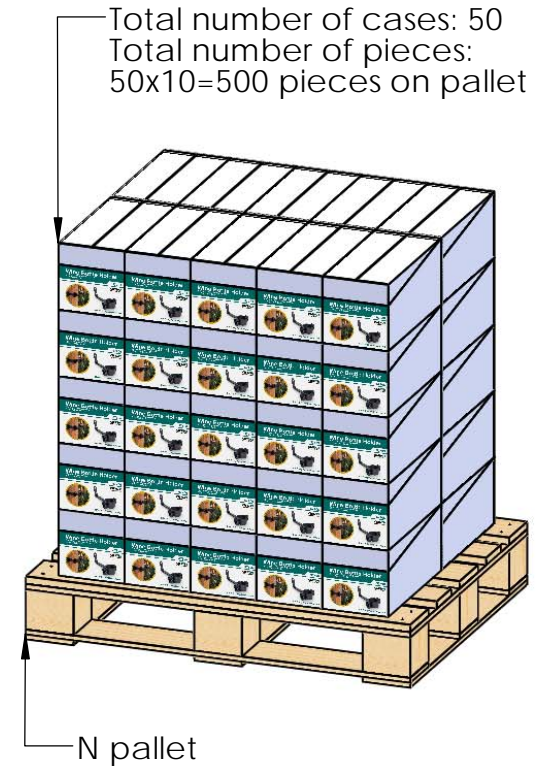
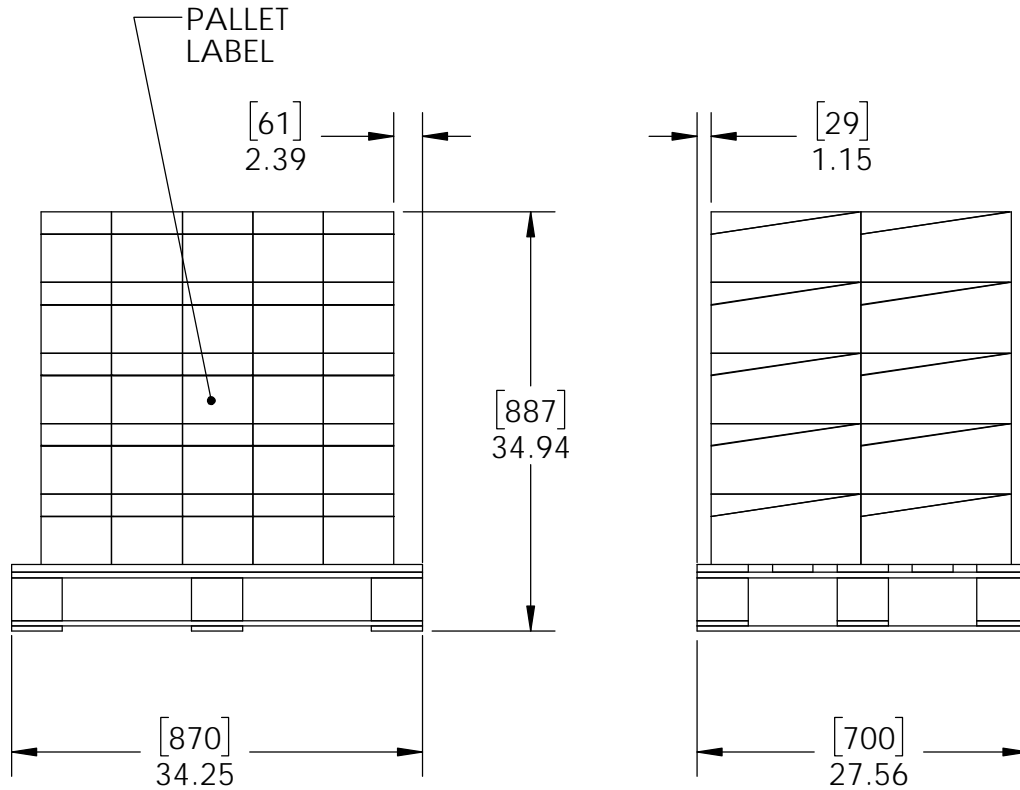
57705



# Product & Packaging Specs

## 57705 Packing

Item #: Pallet packing



Weight: 200 LBS  
 Scale: 1:16  
 Last updated: 2/7/2018

### additional pallet packing instructions

- plywood on top layer
- strap to pallet
- clear wrap around boxes

