



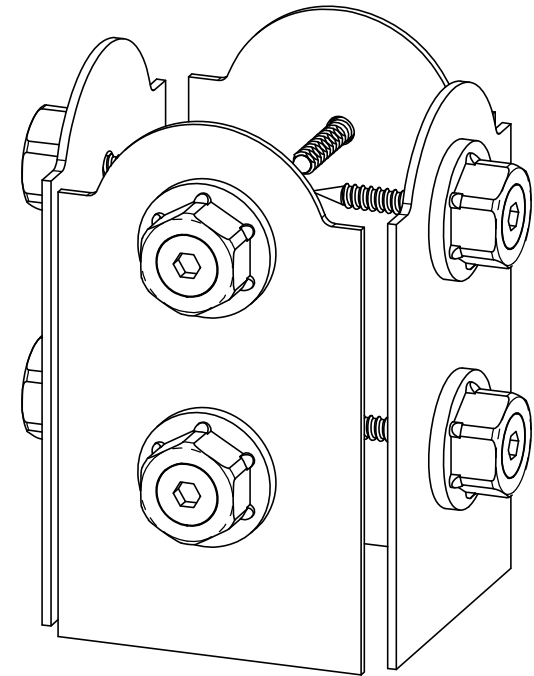
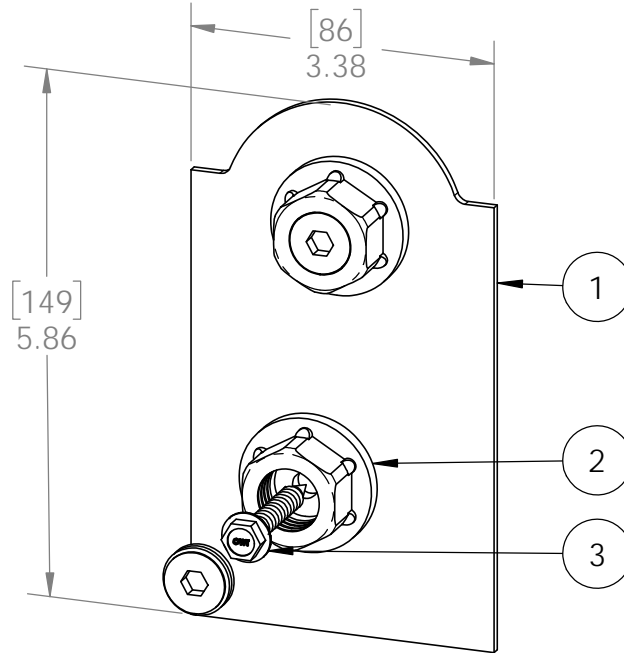
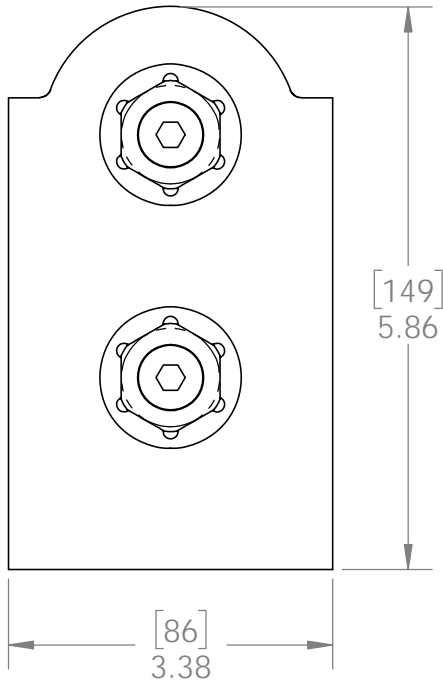
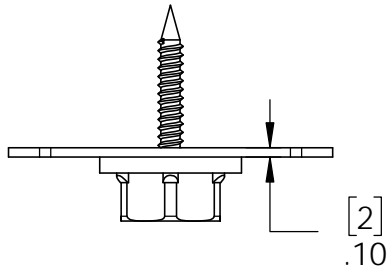
OZCO BUILDING PRODUCTS

Product & Packaging Specs

4x4 Faux Post Base Plates (4X4-FPB-LS)

Item #: 56689

ITEM NO.	QTY.	PART NUMBER	DESCRIPTION
1	4	56689-15	Plate, 4x4 Side Compression
2	0.8	56621	1 1/2" Hex Cap Nut (HCN)
3	0.32	56625	OWT Timber Screw 1-3/4"



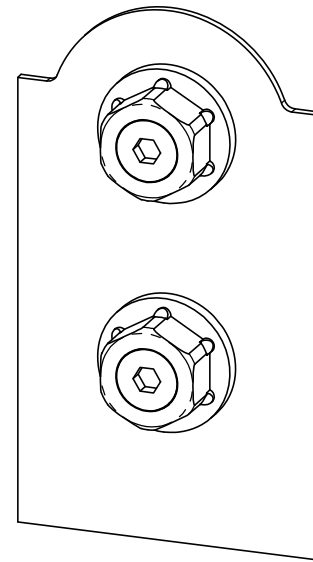
Weight: 8.49 LBS
 Scale: 1:2
 Last updated: 10/10/2016

56689

Product & Packaging Specs

4x4 Faux Post Base Plates (4X4-FPB-LS)

Item #: 56689



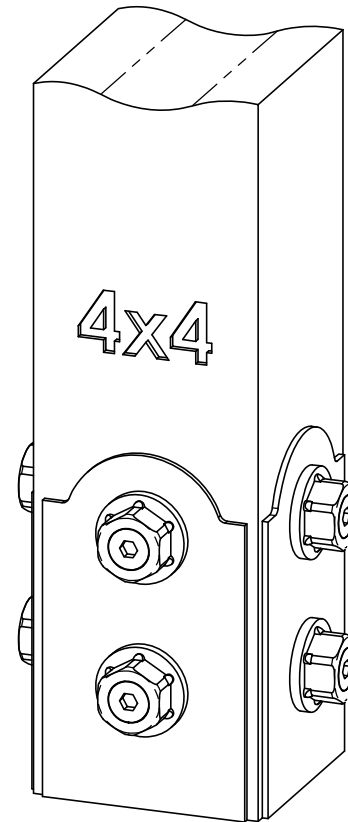
Weight: 8.49 LBS
Scale: 1:2
Last updated: 10/10/2016

56689

Product & Packaging Specs

4x4 Faux Post Base Plates (4X4-FPB-LS)

Item #: Typical Installation & Basic Assembly



Weight: 8.49 LBS
Scale: 1:3
Last updated: 10/10/2016

56689

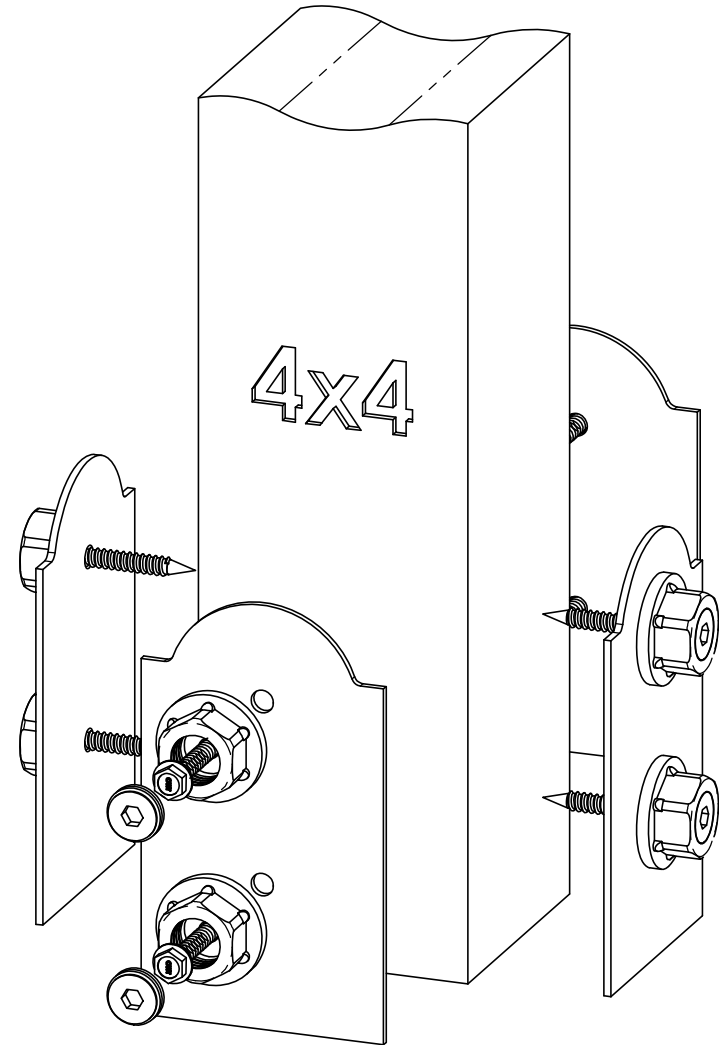


OZCO BUILDING PRODUCTS

Product & Packaging Specs

4x4 Faux Post Base Plates (4X4-FPB-LS)

Item #: Typical Installation & Basic Assembly



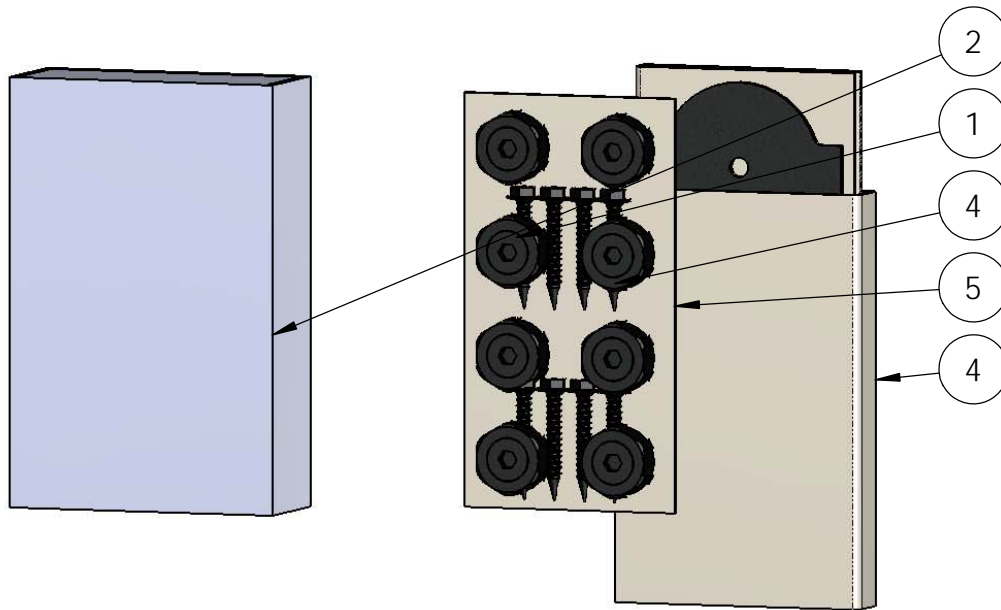
Weight: 8.49 LBS
Scale: 1:2.5
Last updated: 10/10/2016

56689

Product & Packaging Specs

56689 Packing

Item #: Box packing



ITEM NO.	Box packing/QTY.	PART NUMBER	DESCRIPTION
1	1	56689	4x4 Faux Post Base Plates (4X4-FPB-LS)
2	1	Box, 56689	Box, 56689
3	1	Sleeve, 56689 Plate	Sleeve, 56689 Plate
4	1	Box, 56689 Plate Sleeve	Sleeve, 6x6 Faux Post Plate
5	1	Insert, 56689 HCN	Insert, 56689 HCN
6	1	Bag, 4x6 packing	Bag, 4x6 Packing

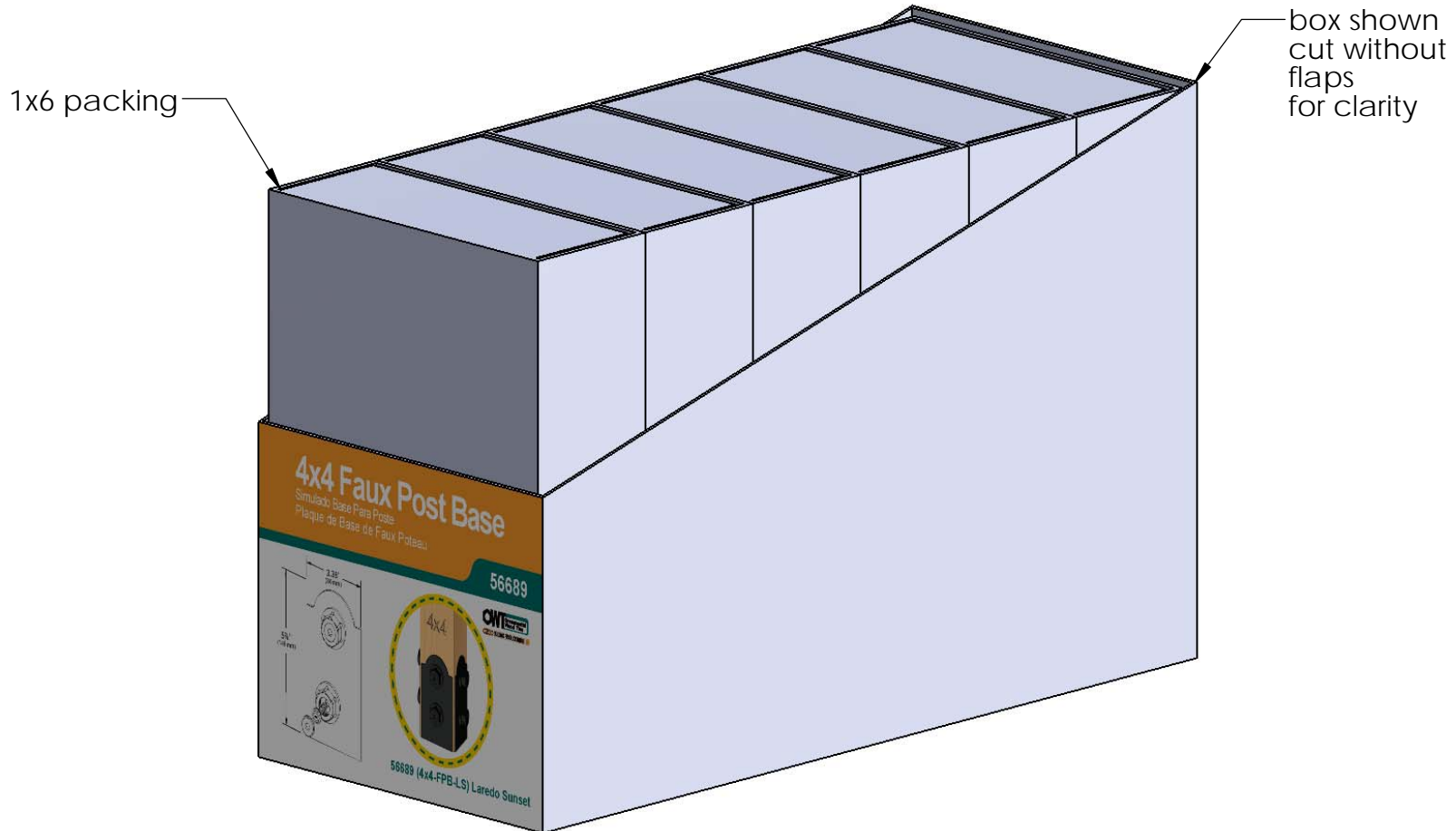
item 6 utilized for screws (not shown)

add foam or other equivalent spacer inside box to consume space and secure product

Weight: 2.64 LBS
 Scale: 1:3
 Last updated: 10/10/2016

Product & Packaging Specs

56689 Packing
Item #: Case packing



Weight: 16 LBS
Scale: 1:2
Last updated: 10/10/2016

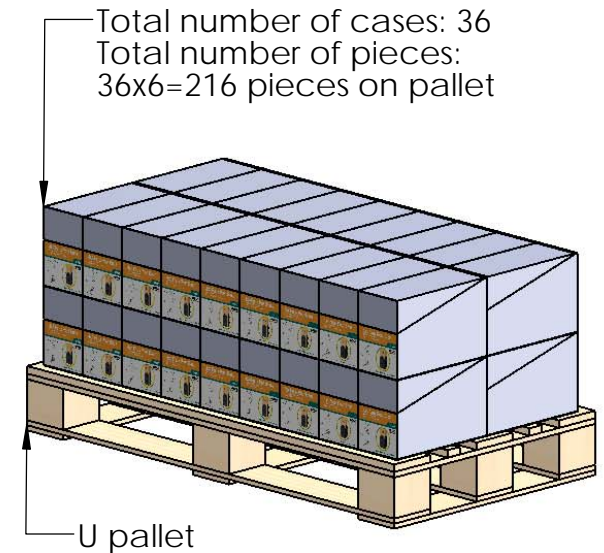
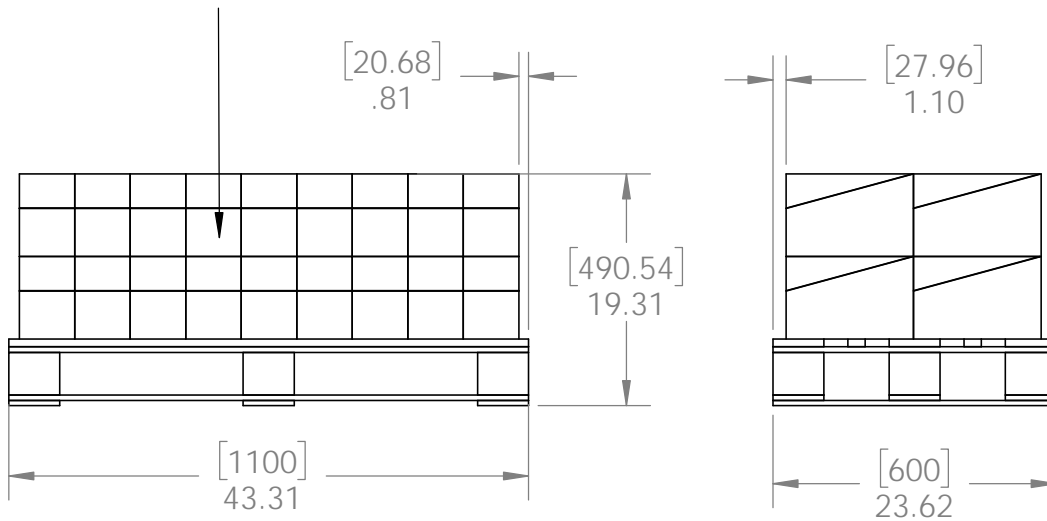
56689

Product & Packaging Specs

56689 Packing

Item #: Pallet packing

ADD NEW PALLET LABEL



additional pallet packing instructions
 plywood on top layer
 strap to pallet
 clear wrap around boxes

Weight: 620 LBS
 Scale: 1:16
 Last updated: 10/10/2016

56689