



OZCO BUILDING PRODUCTS

# Product & Packaging Specs

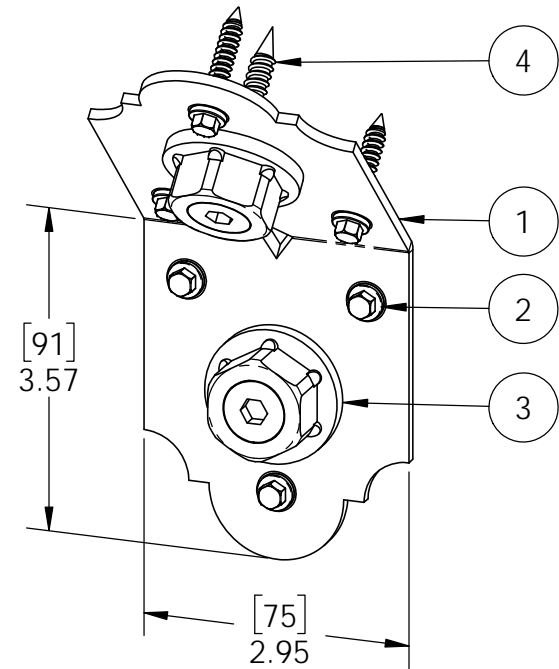
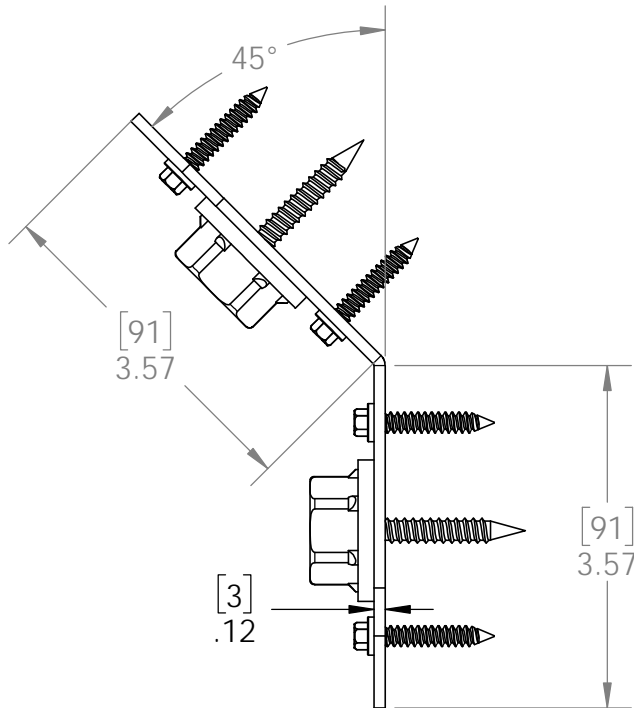
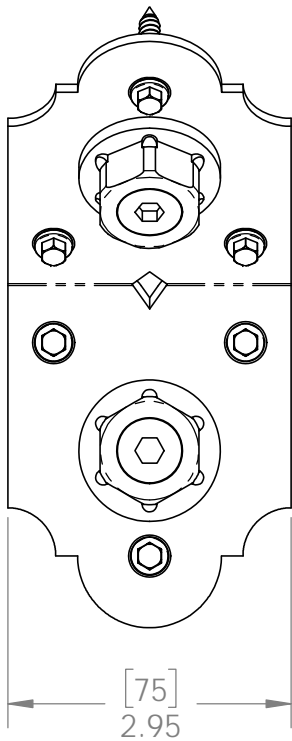
## 4" Flush Inside 45 (FI45-LS-4)

Item #: 56668

This Package Includes



- Requires a 1/4" hex driver bit
- Exclusive high friction design
- No pre-drilling required



| ITEM NO. | QTY. | PART NUMBER | DESCRIPTION                                      |
|----------|------|-------------|--|
| 1        | 1    | 56668-10    | Clip, 4" Flush Inside 45 (FI45-LS-4)             |
| 2        | 6    | 80060       | Screw, 1-1/2"x1/4" Black Hex-Head (1-1/2-HX-SCR) |
| 3        | 0.2  | 56621       | 1 1/2" Hex Cap Nut (HCN)                         |
| 4        | 0.08 | 56625       | OWT Timber Screw 1-3/4"                          |

Weight: 0.71 LBS  
 Scale: 1:2  
 Last updated: 10/10/2016

56668

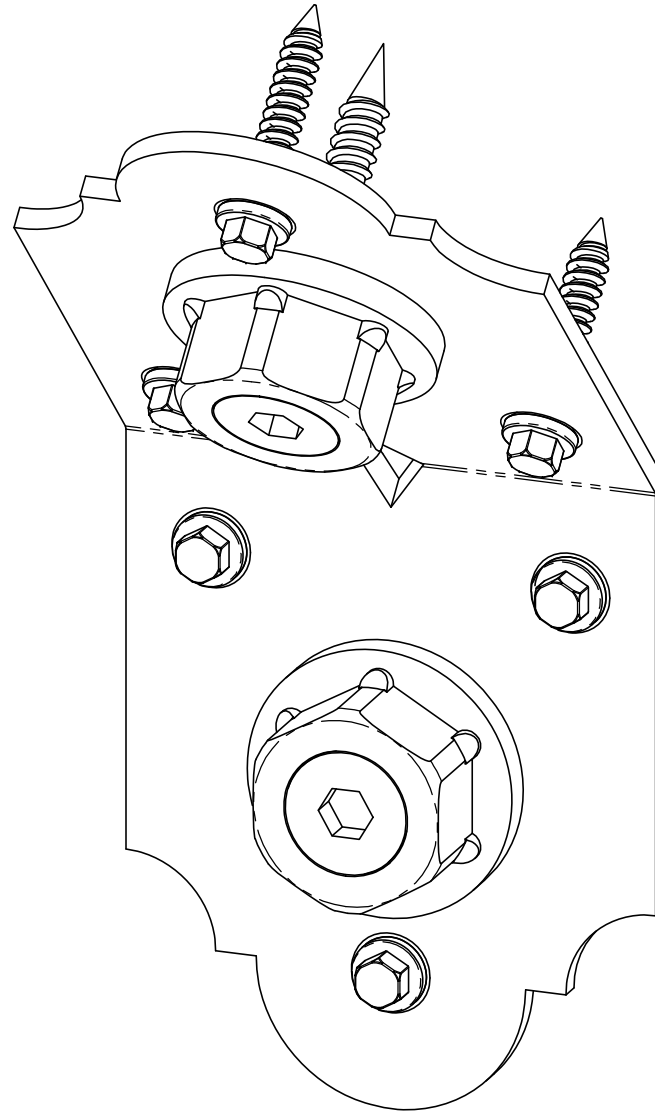


OZCO BUILDING PRODUCTS

# Product & Packaging Specs

4" Flush Inside 45 (FI45-LS-4)

Item #: 56668



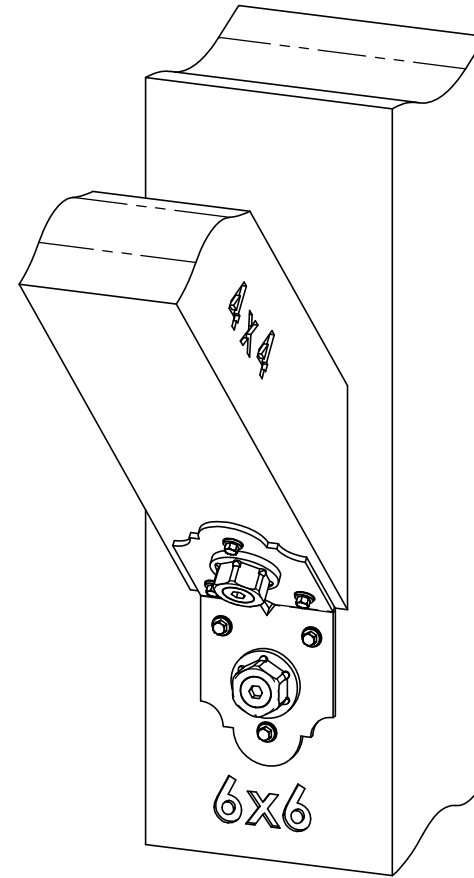
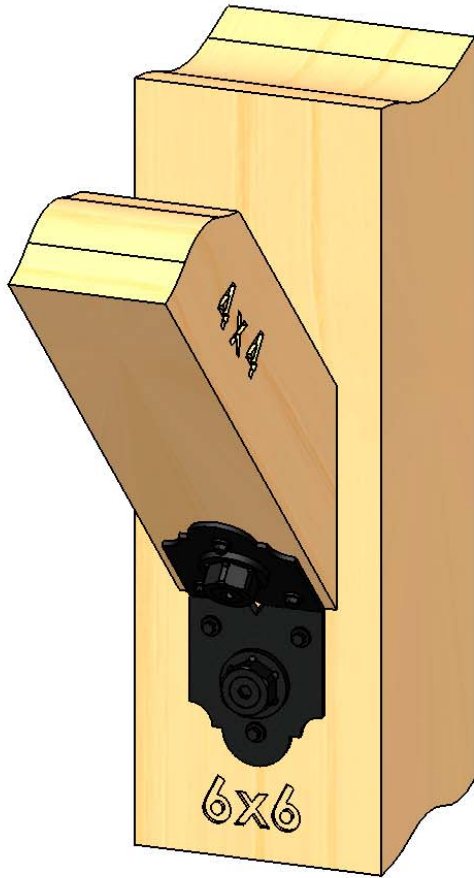
Weight: 0.71 LBS  
Scale: 1:1  
Last updated: 10/10/2016

56668

# Product & Packaging Specs

## 4" Flush Inside 45 (FI45-LS-4)

Item #: Typical Installation & Basic Assembly



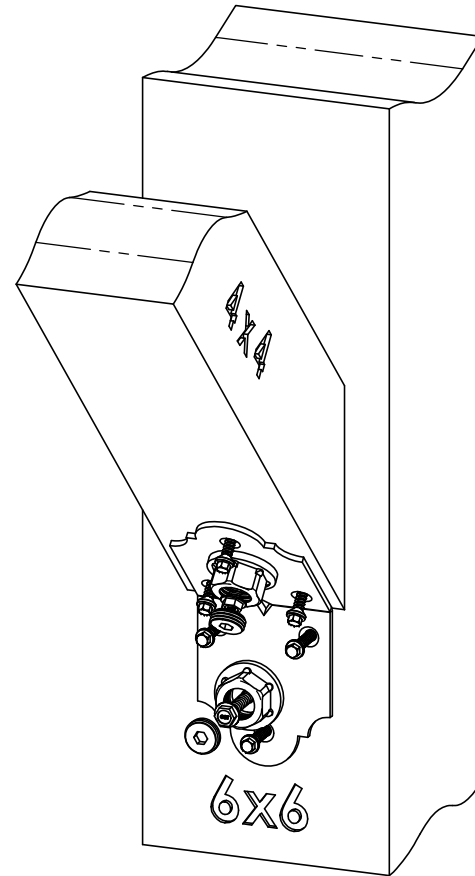
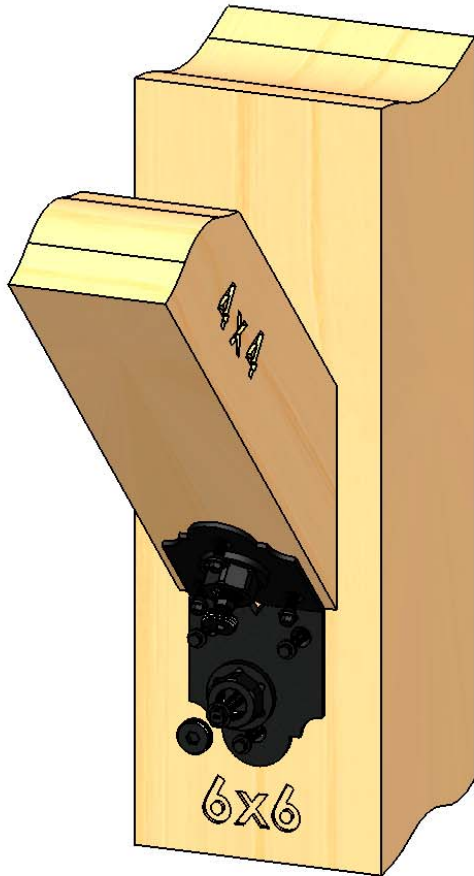
Weight: 0.71 LBS  
Scale: 1:4  
Last updated: 10/10/2016

56668

# Product & Packaging Specs

## 4" Flush Inside 45 (FI45-LS-4)

Item #: Typical Installation & Basic Assembly



Weight: 0.71 LBS  
Scale: 1:4  
Last updated: 10/10/2016

56668

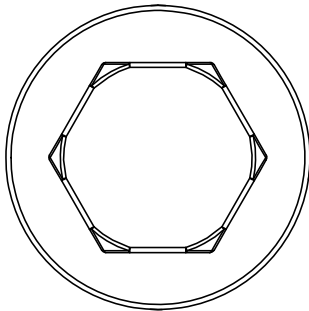


OZCO BUILDING PRODUCTS

This Package Includes



- Requires a 1/4" hex driver bit
- Exclusive high friction design
- No pre-drilling required

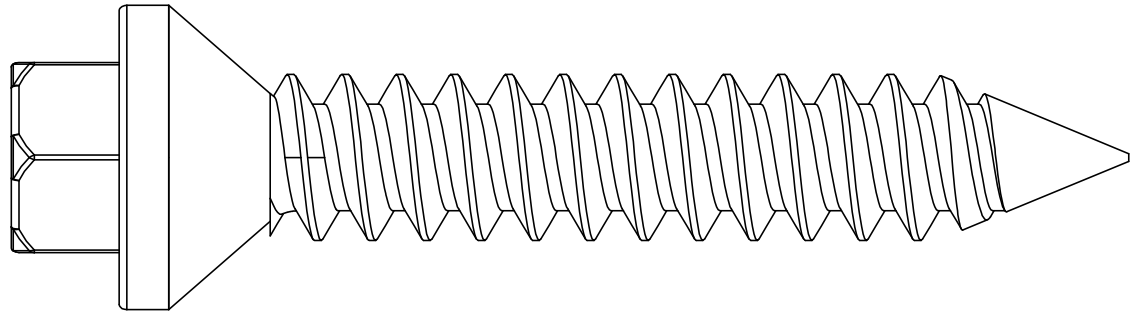
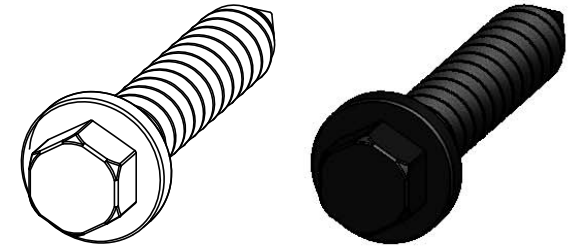


# Product & Packaging Specs

## Screw, 1-1/2"x1/4"

### Black Hex-Head (1-1/2-HX-SCR)

Item #: 80060



Material: Plain Carbon Steel  
Finish: Black Zinc  
Weight: 0.01 LBS  
Scale: 4:1  
Last updated: 10/10/2016

56668

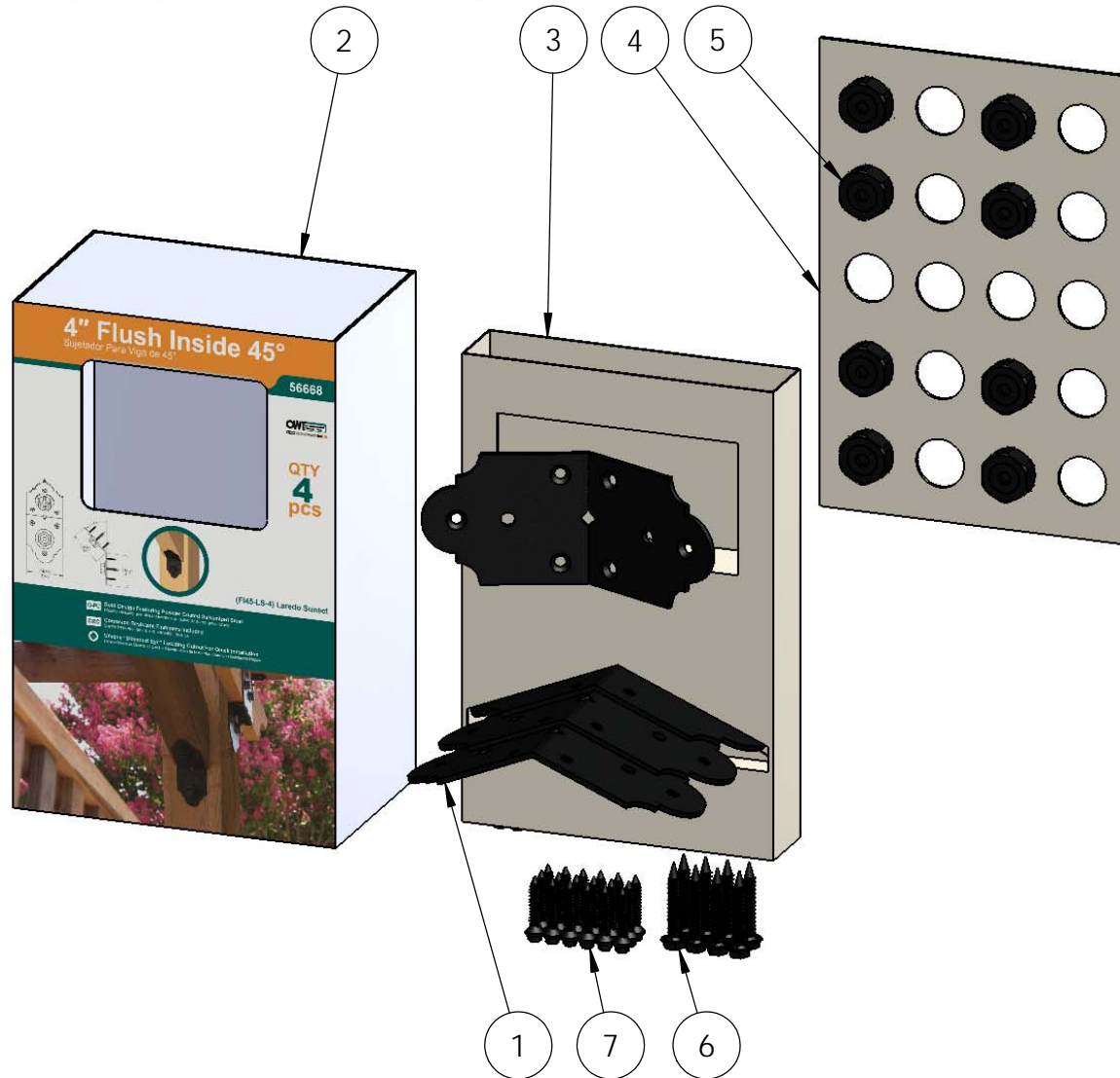
for additional details, see drawing #80060

V2.00 - Installation Instructions, Specifications and Project Plans are effective 10/10/2016 . This information is updated periodically 6 and should not be relied upon after 2 years from 10/10/2016 . Please visit OZCOBP.com to get current information.

# Product & Packaging Specs

56668 Packing

Item #: Box packing



| ITEM NO. | QTY. | PART NUMBER   | DESCRIPTION                                      |
|----------|------|---------------|--|
| 1        | 4    | 56668-10      | Clip, 4" Flush Inside 45 (FI45-LS-4)             |
| 2        | 1    | Box, 56668    | Box, 56668                                       |
| 3        | 1    | Insert, 56668 | Insert, 56668 #1                                 |
| 4        | 1    | Insert, 56668 | Insert, 56668 #2                                 |
| 5        | 0.8  | 56621         | 1 1/2" Hex Cap Nut (HCN)                         |
| 6        | 0.32 | 56625         | OWT Timber Screw 1-3/4"                          |
| 7        | 24   | 80060         | Screw, 1-1/2"x1/4" Black Hex-Head (1-1/2-HX-SCR) |

Weight: 2.97 LBS  
Scale: 1:4  
Last updated: 10/10/2016



# Product & Packaging Specs

56668 Packing  
 Item #: Box packing



Weight: 16.25 LBS  
 Scale: 1:4  
 Last updated: 10/10/2016

56668



OZCO BUILDING PRODUCTS

# Product & Packaging Specs

## 56668 Packing

Item #: Box packing

Item #: **56668** | **FI45-LS-4**

4" FLUSH INSIDE 45° LAREDO SUNSET

**PALLET** **120 pcs**

SKU#: **56868**



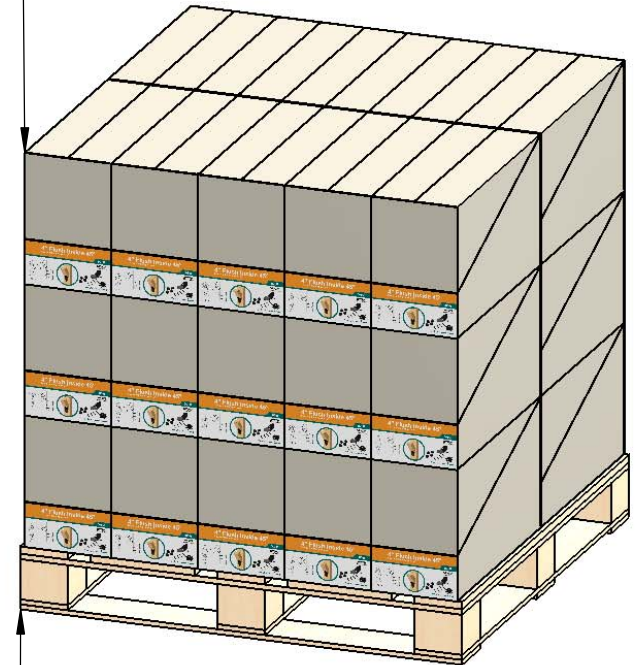
Weight: **230 lbs**

LOT#

Priority#



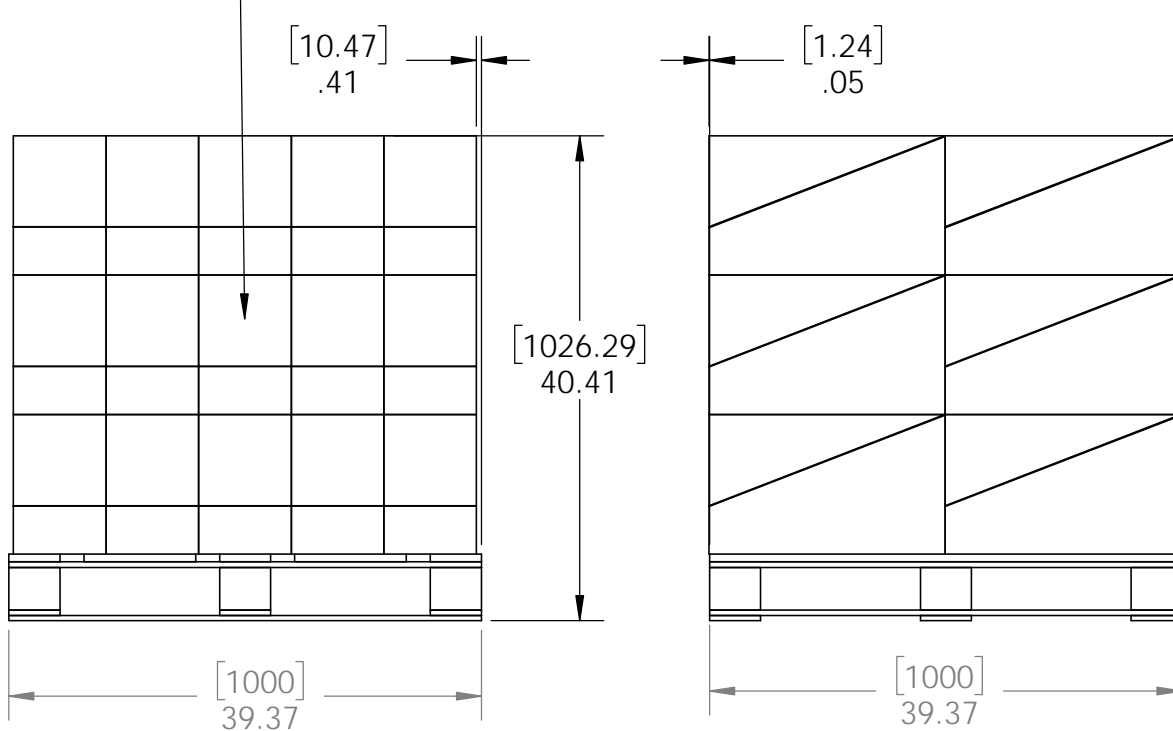
Total number of cases: 30  
Total number of pieces:  
30x4=120 pieces on pallet



S pallet



additional pallet packing instructions  
plywood on top layer  
strap to pallet  
clear wrap around boxes



Weight: 230 LBS  
Scale: 1:16  
Last updated: 10/10/2016

56668