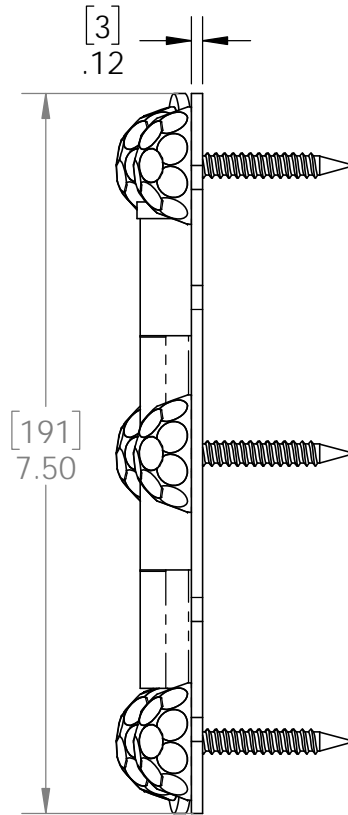
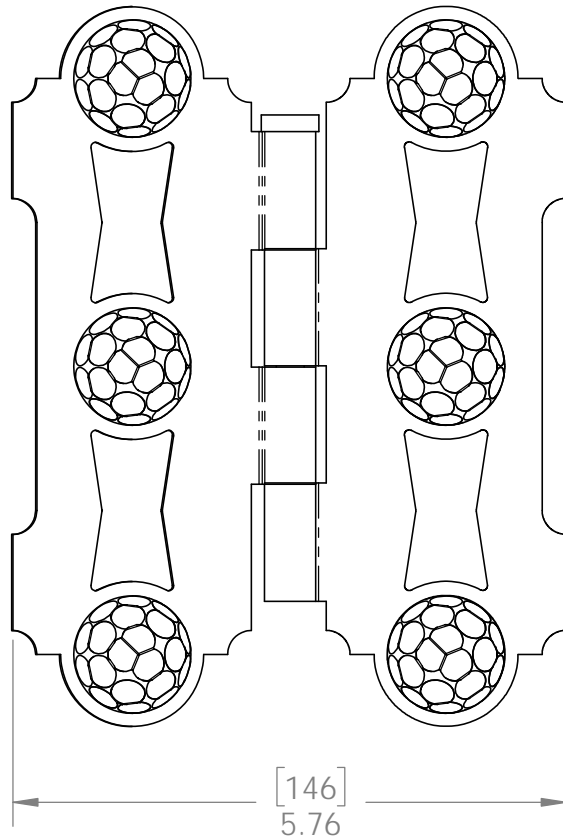


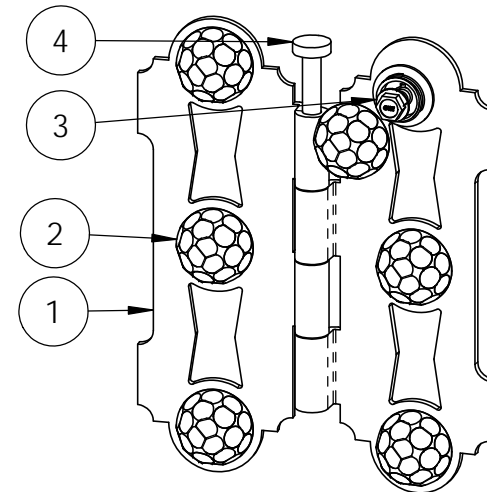
Product & Packaging Specs

Butterfly Hinge Kit (B-HINGE)

Item #: 56655



ITEM NO.	QTY.	PART NUMBER	DESCRIPTION
1	2	56655-11	Bracket, Butterfly Hinge
2	0.6	56622	1-1/4" Hammered Dome Cap Nut
3	0.24	56625	OWT Timber Screw 1-3/4"
4	1	56655-12	Pin, Butterfly Hinge



Weight: 1.62 LBS
Scale: 1:2
Last updated: 10/10/2016

56655-10

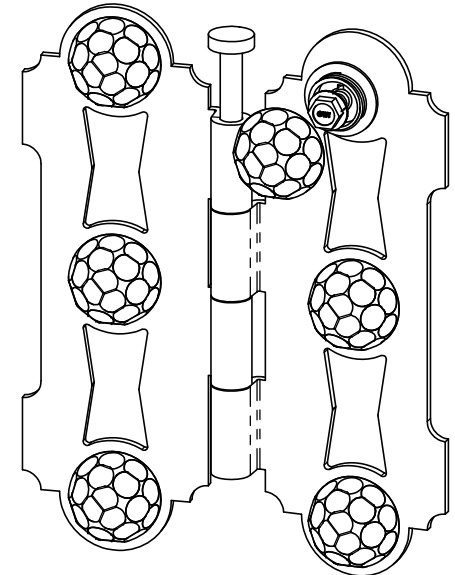
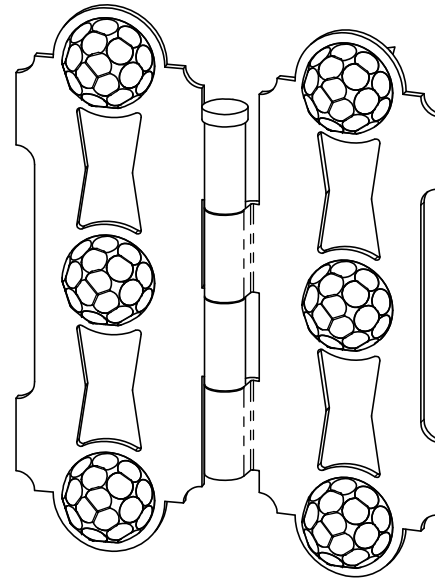
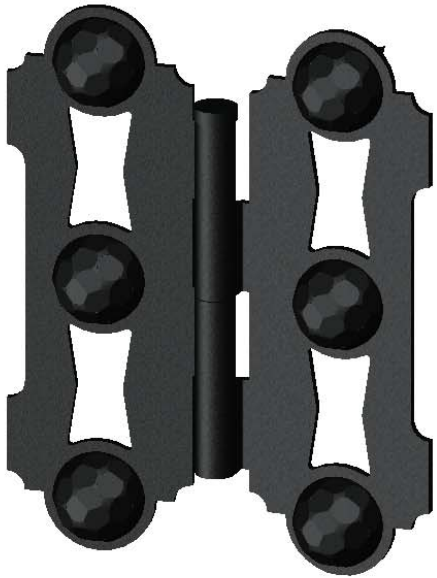


OZCO BUILDING PRODUCTS

Product & Packaging Specs

Butterfly Hinge Kit (B-HINGE)

Item #: 56655

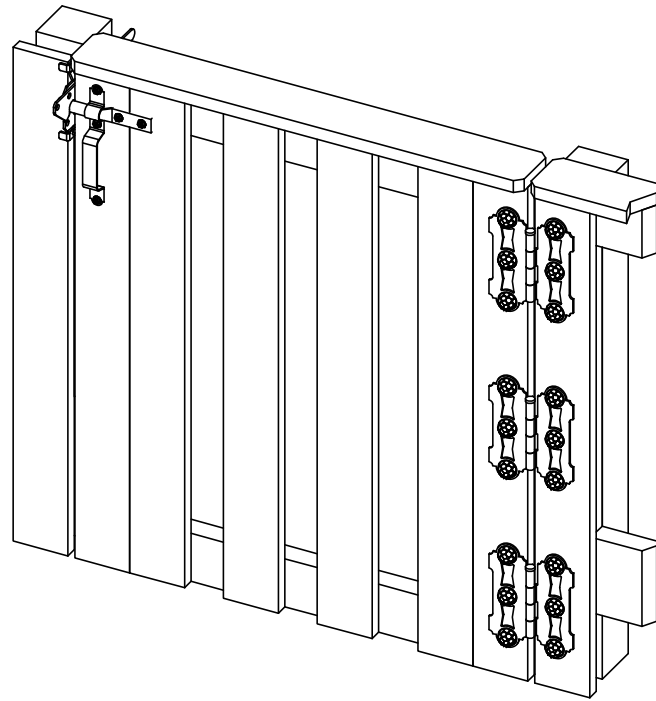


Weight: 1.62 LBS
Scale: 1:2.5
Last updated: 10/10/2016

56655-10

Product & Packaging Specs

Typical Installation



Scale: 1:12
Last updated:
10/10/2016

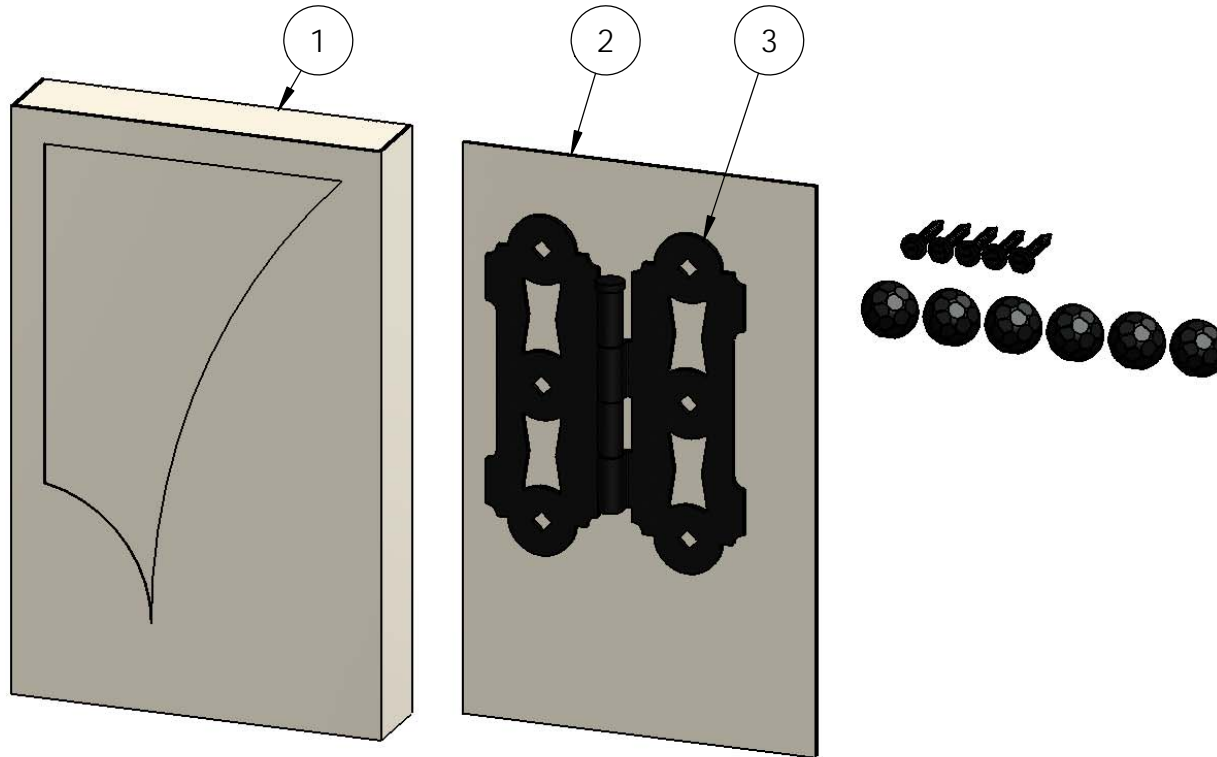
56655-10

Product & Packaging Specs

Butterfly Hinge Packing

Item #: Box packing

ITEM NO.	QTY.	PART NUMBER	DESCRIPTION
1	1	Box, 56655 Packing	Box, 56655 Packing
2	1	Insert, 56655 Packing	Insert, 56655 Packing Box
3	1	56655-10	Assembly, Butterfly Hinge



- Screws shall be placed inside small bag and secured with tape to backside of insert
- Dome Cap Nuts shall be placed inside small bag and secured with tape to backside of insert
- Secure item 3 to insert with black twist ties so product is visible in box cutout

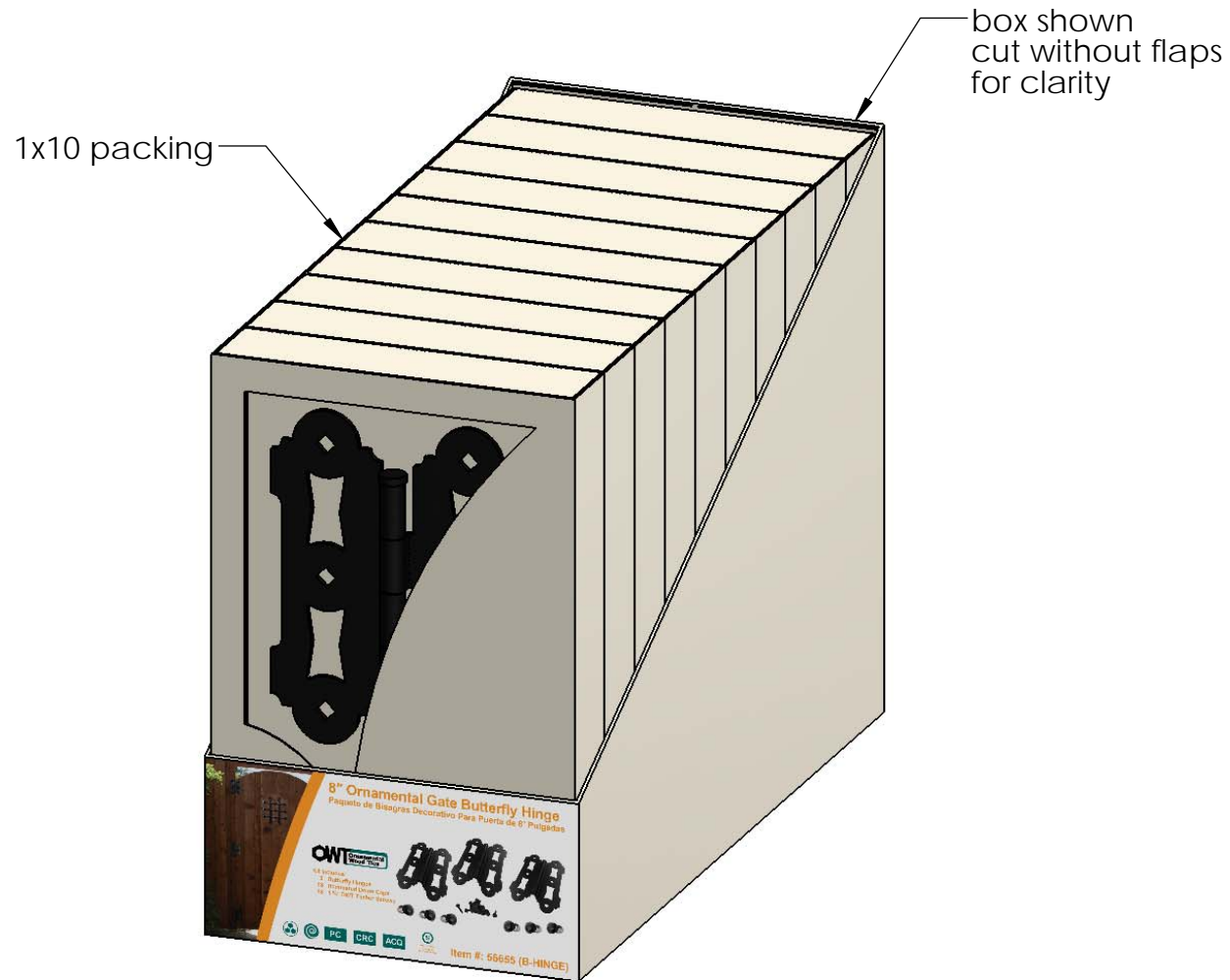
Weight: 4.73 LBS
 Scale: 1:4
 Last updated: 10/10/2016

56655-10

Product & Packaging Specs

Butterfly Hinge Packing

Item #: Case packing



Weight: 48.50 LBS
Scale: 1:4
Last updated: 10/10/2016

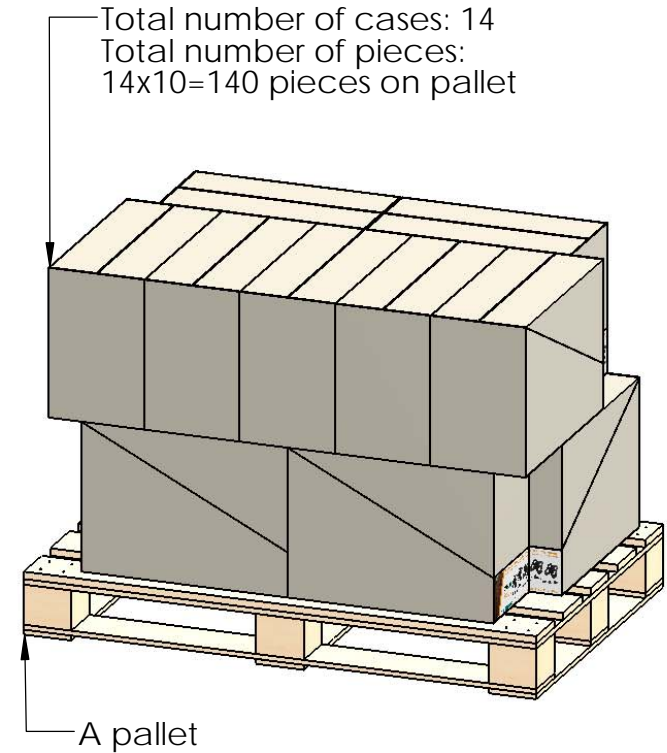
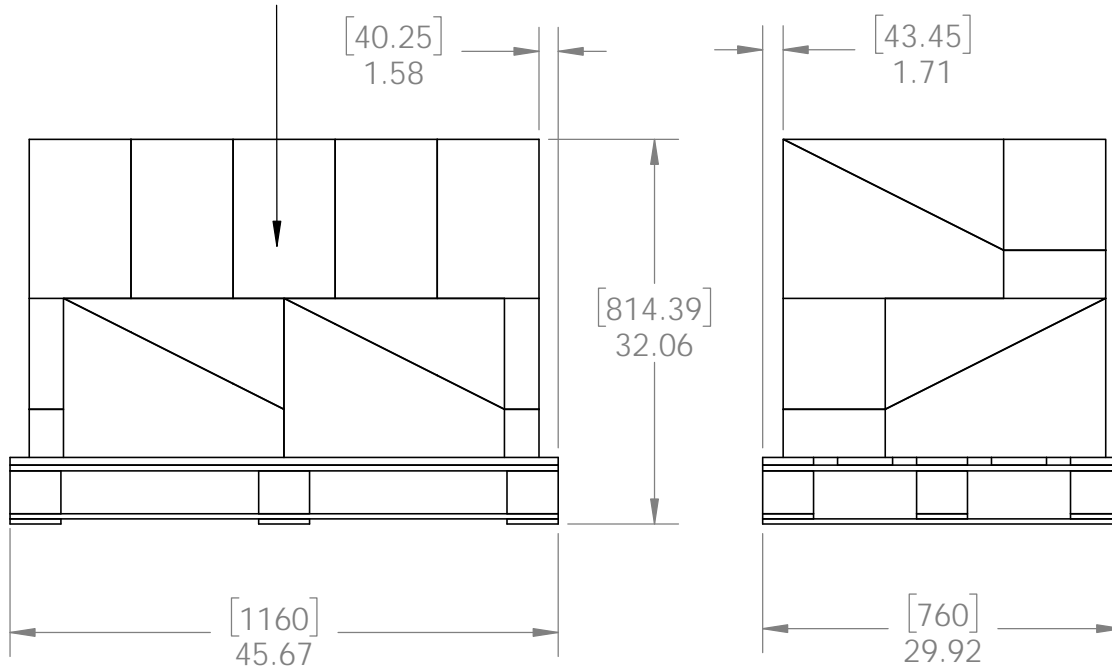
56655-10

Product & Packaging Specs

Butterfly Hinge Packing

Item #: Pallet packing

Item #: **56655** | **B-HINGE**
8" Ornamental Gate Strap Hinge
PALLET 140 pcs
SKU#: **56855**
Weight: 708 lbs
LOT# _____ Priority# _____



additional pallet packing instructions

- plywood on top layer
- strap to pallet
- clear wrap around boxes

Weight: 708 LBS
Scale: 1:16
Last updated: 10/10/2016

56655-10