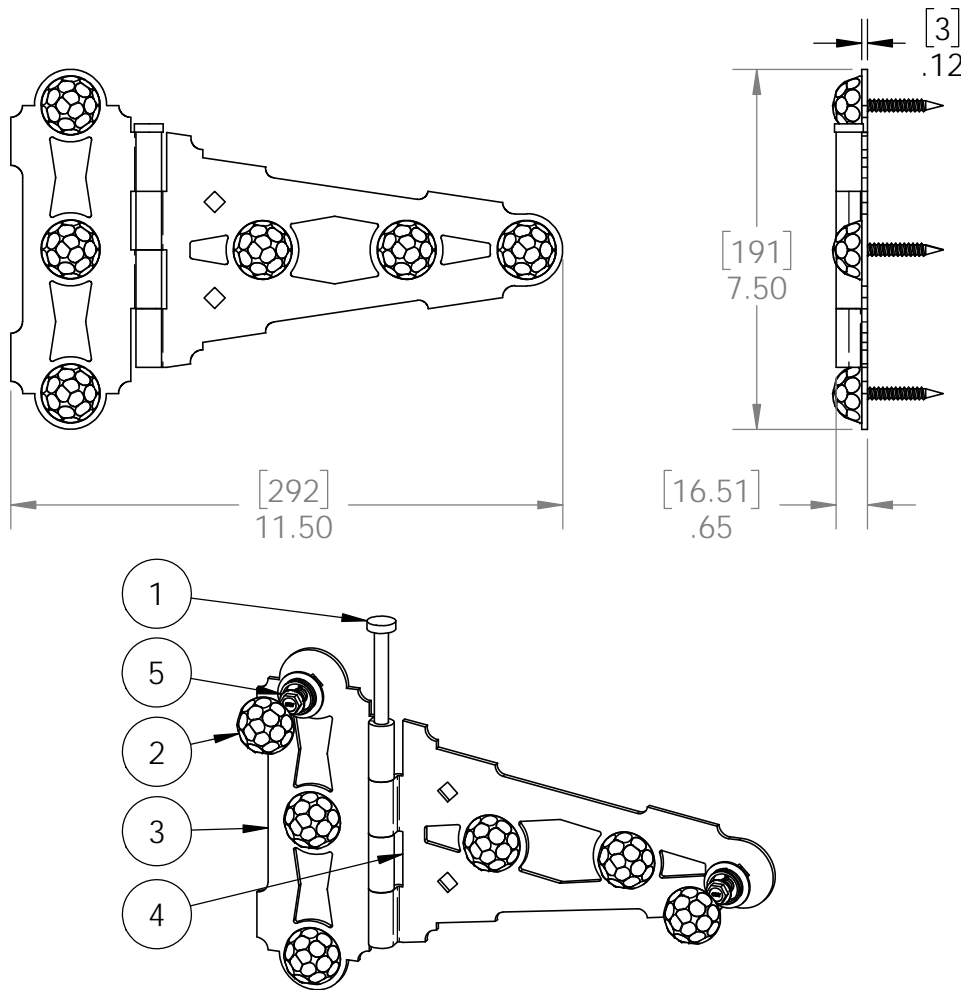


Product & Packaging Specs

T-Hinge Kit (T-HINGE)

Item #: 56653



ITEM NO.	QTY.	PART NUMBER	DESCRIPTION
1	1	56655-12	Pin, Butterfly Hinge
2	6	56622	1-1/4" Hammered Dome Cap Nut
3	1	56655-11	Bracket, Butterfly Hinge
4	1	56654-11	Bracket, Strap Hinge
5	0.24	56625	OWT Timber Screw 1-3/4"

Bill of Material quantities shown for 1 hinge. 56653 is a kit of 3 complete hinges

Weight: 1.80 LBS
Scale: 1:2
Last updated: 10/10/2016

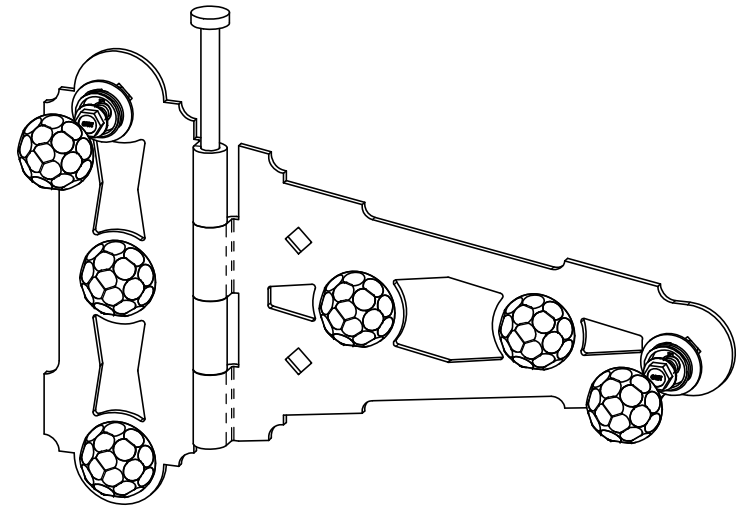
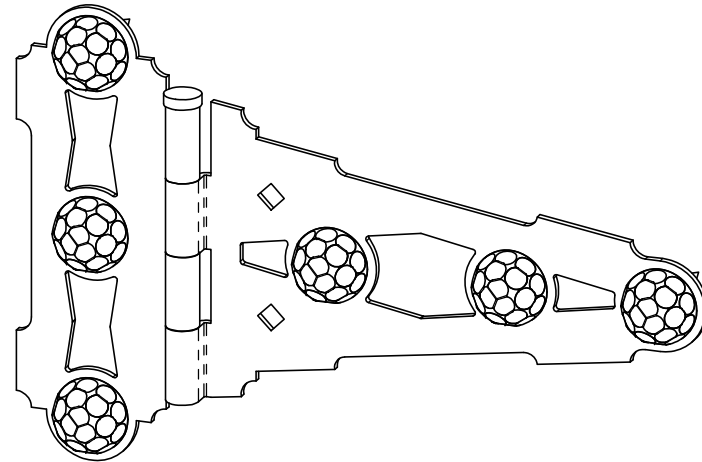
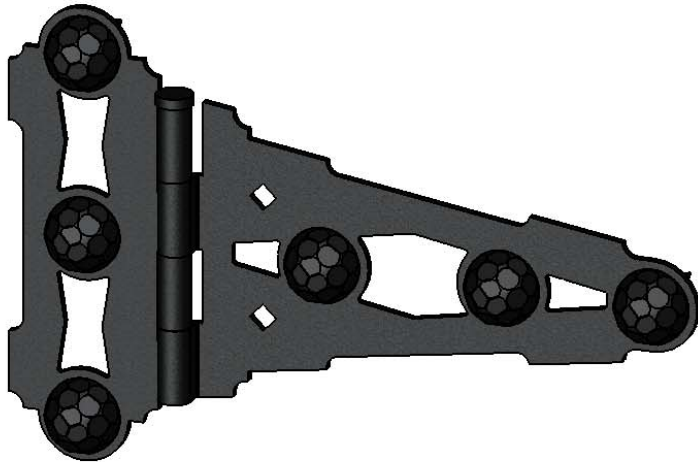


OZCO BUILDING PRODUCTS

Product & Packaging Specs

T-Hinge Kit (T-HINGE)

Item #: 56653



Weight: 1.80 LBS
Scale: 1:3
Last updated: 10/10/2016

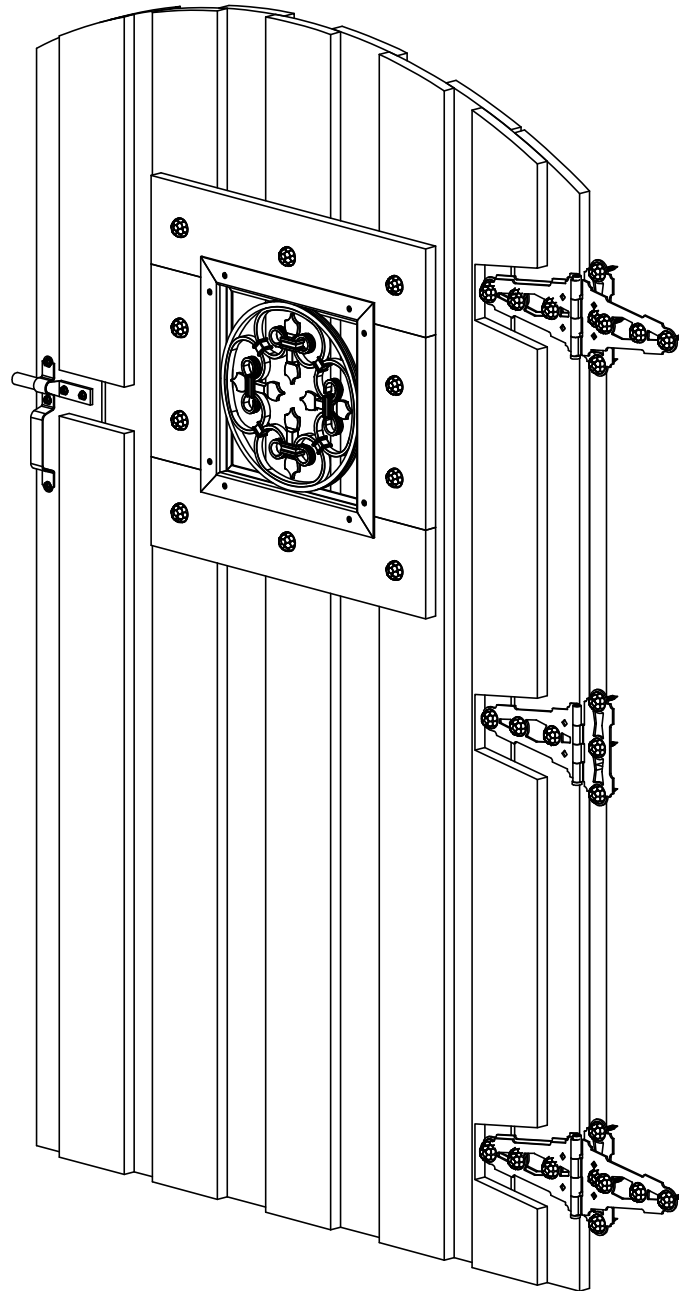
56653-10



OZCO BUILDING PRODUCTS ■■■

Product & Packaging Specs

OWT Timber Screw



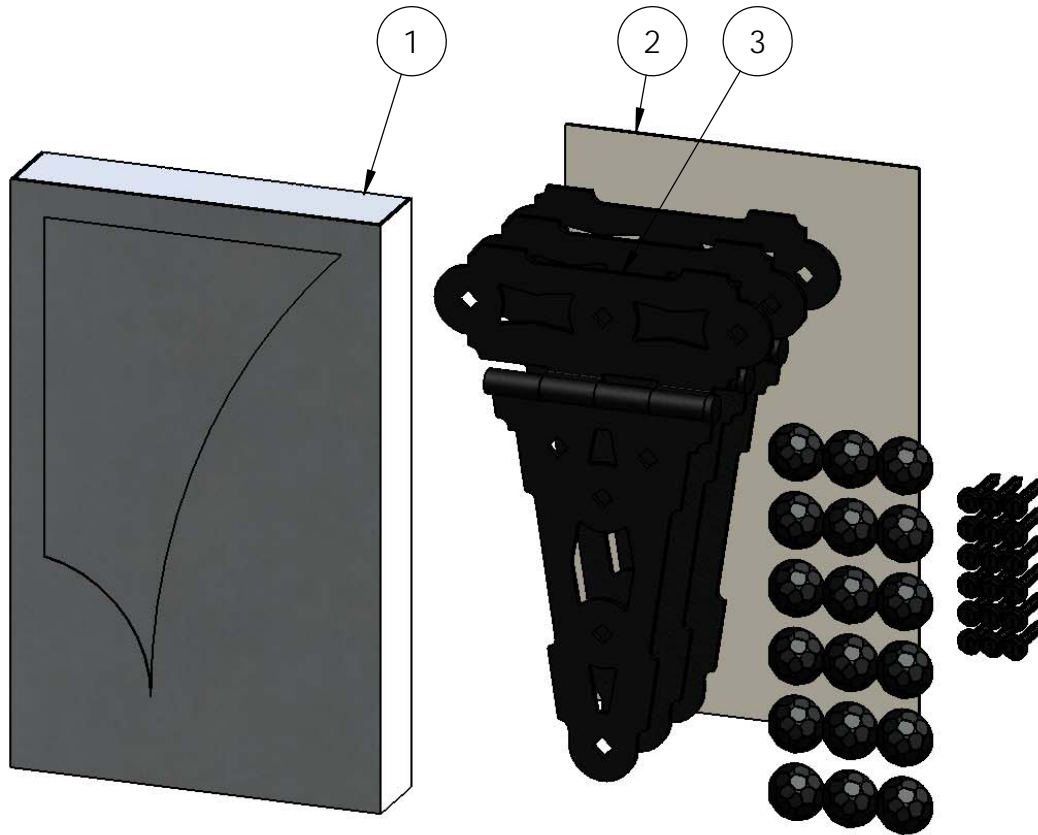
Scale: 1:12
Last updated:
10/10/2016

56653-10

Product & Packaging Specs

56653 Packing

Item #: Box packing



ITEM NO.	QTY.	PART NUMBER	DESCRIPTION
1	1	Box, 56653 Packing	Box, 56653 Packing
2	1	Insert, 56653 Box	Insert, 56653 Box
3	3	56653	T-Hinge Kit (T-HINGE)

- Screws shall be placed inside small bag and secured with tape to insert
- Dome Cap Nuts shall be placed inside small bag and secured with tape to insert
- Secure item 3 to insert with black twist ties so product is visible in box cutout

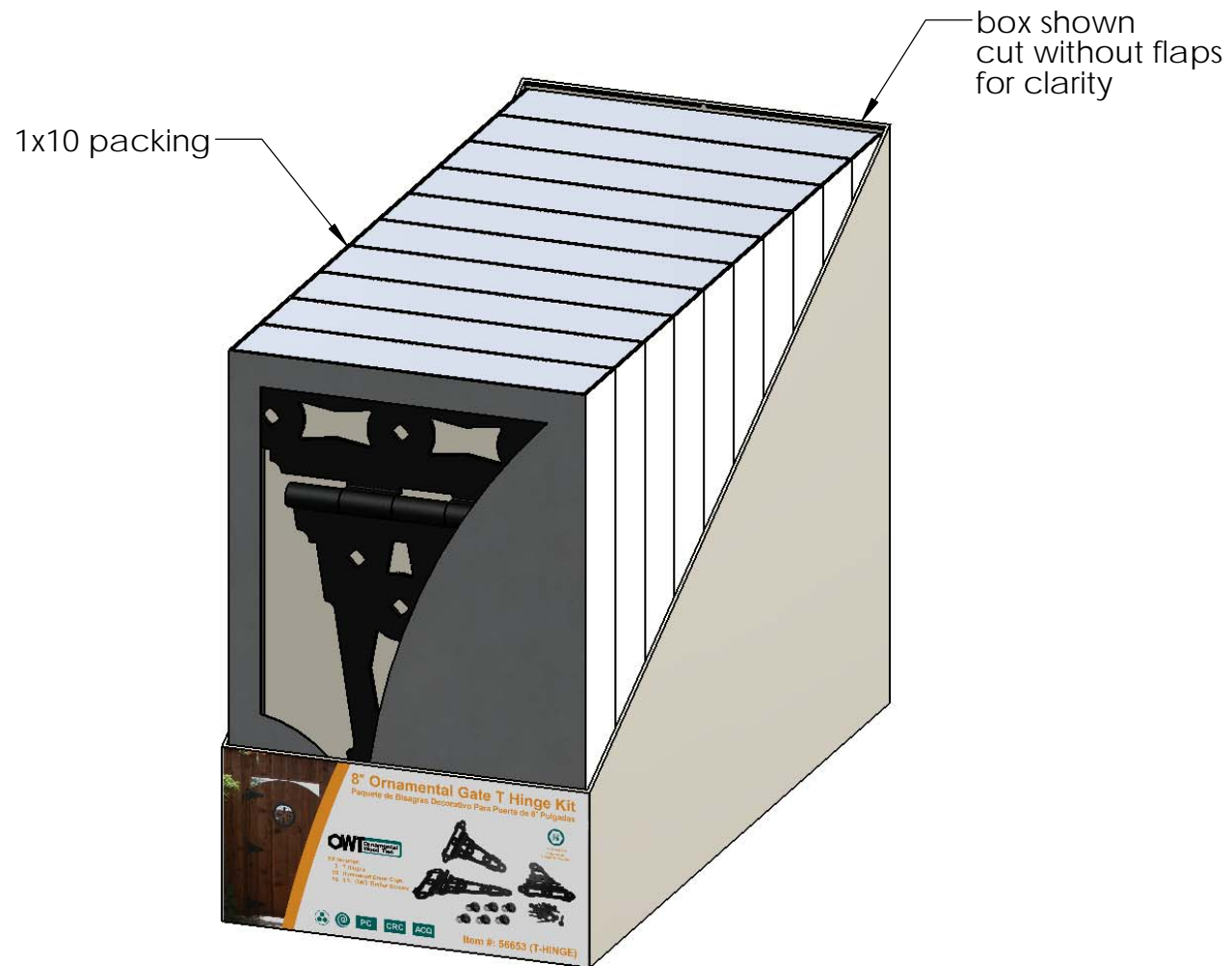
Weight: 6.44 LBS
 Scale: 1:2
 Last updated: 10/10/2016

56653-10

Product & Packaging Specs

56653 Packing

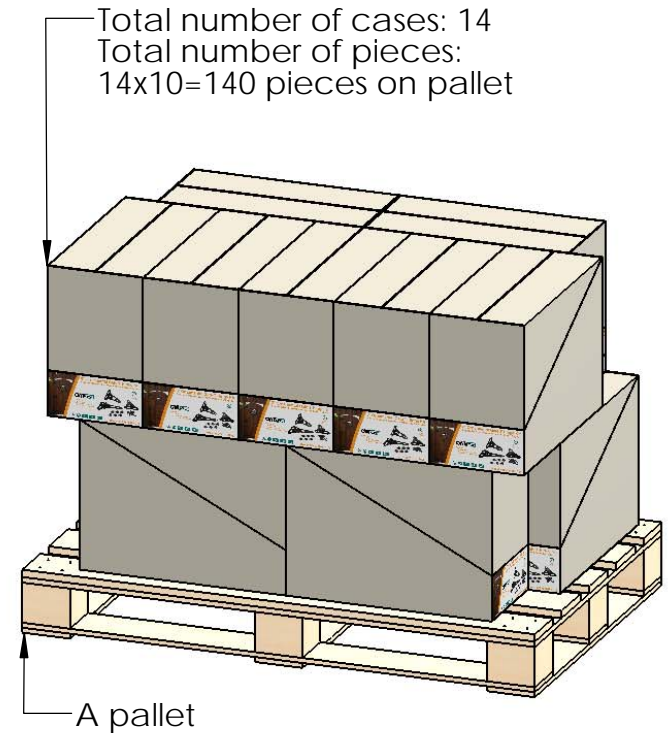
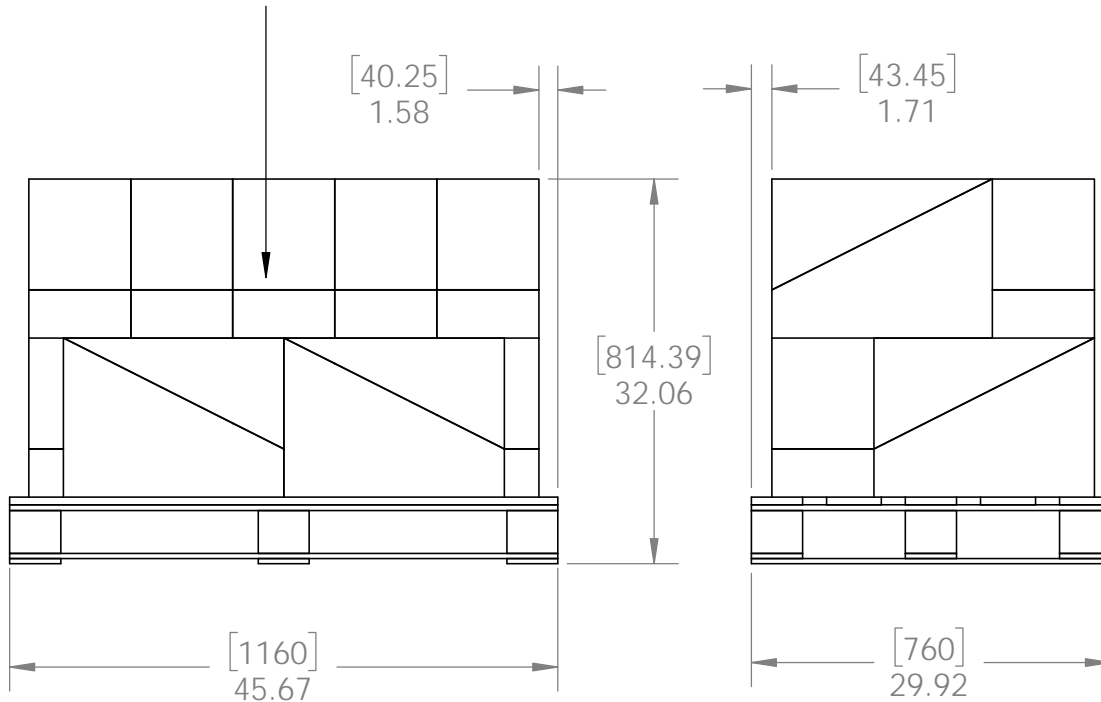
Item #: Case packing



Weight: 65 LBS
Scale: 1:4
Last updated: 10/10/2016

56653-10

Item #: **56653** | **T-HINGE**
 8" Ornamental Gate T Hinge
PALLET | **140 pcs**
 SKU#: **56853**
 Weight: **780 lbs**
 LOT# _____ Priority# _____



additional pallet packing instructions

- plywood on top layer
- strap to pallet
- clear wrap around boxes

Weight: 780 LBS
 Scale: 1:16
 Last updated: 10/10/2016