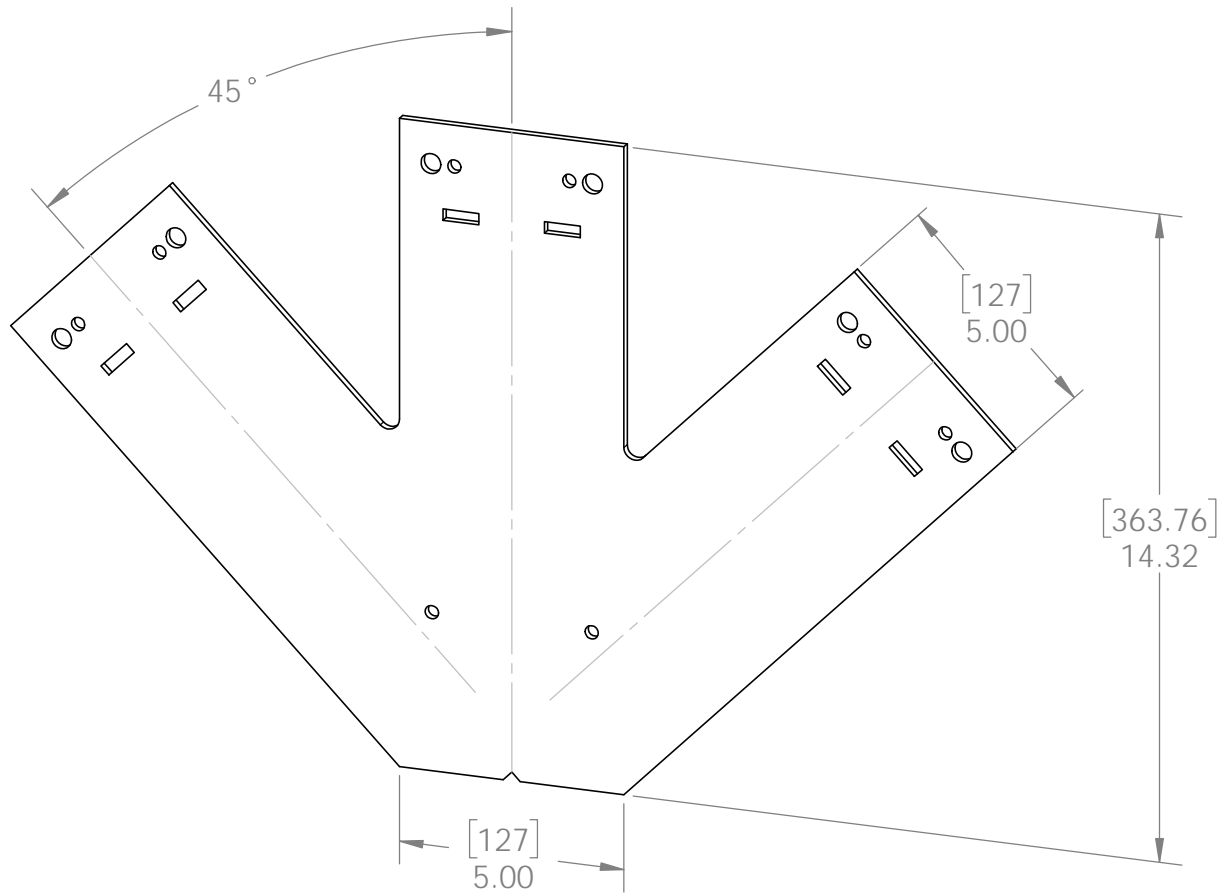


Weight: 8.98 LBS  
 Scale: 1:4  
 Last updated: 10/10/2016



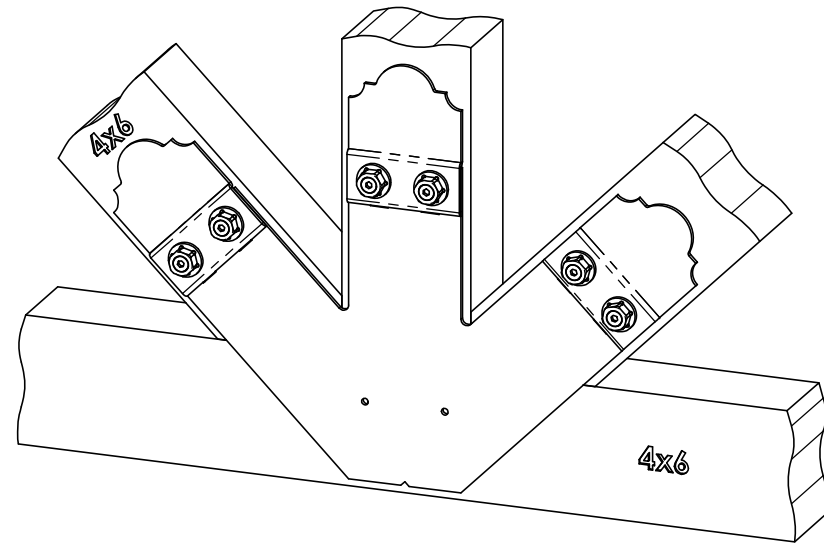
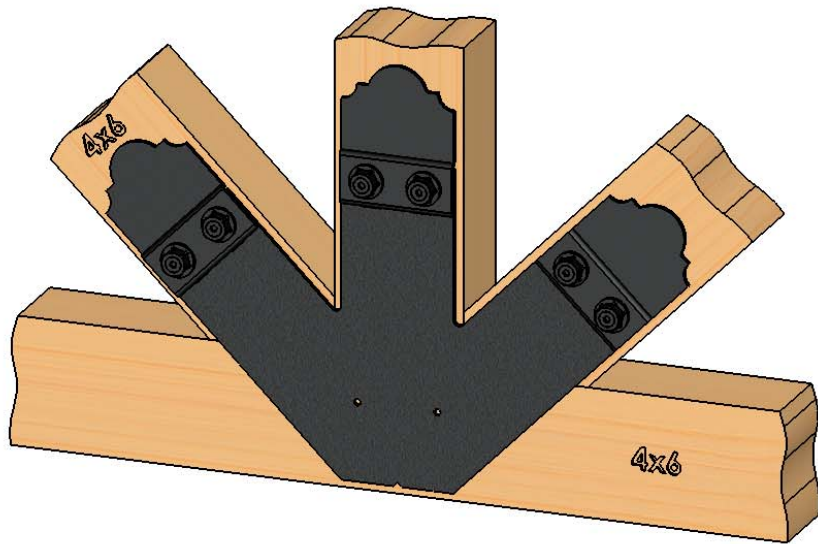
Weight: 8.98 LBS  
 Scale: 1:4  
 Last updated: 10/10/2016

56646-10

# Product & Packaging Specs

## Truss Base Fan 3 Point (TBF-3-PT)

Item #: Typical Installation & Basic Assembly



**ACCENT PLATES, TIMBER BOLTS &/OR SCREWS SOLD SEPARATELY**

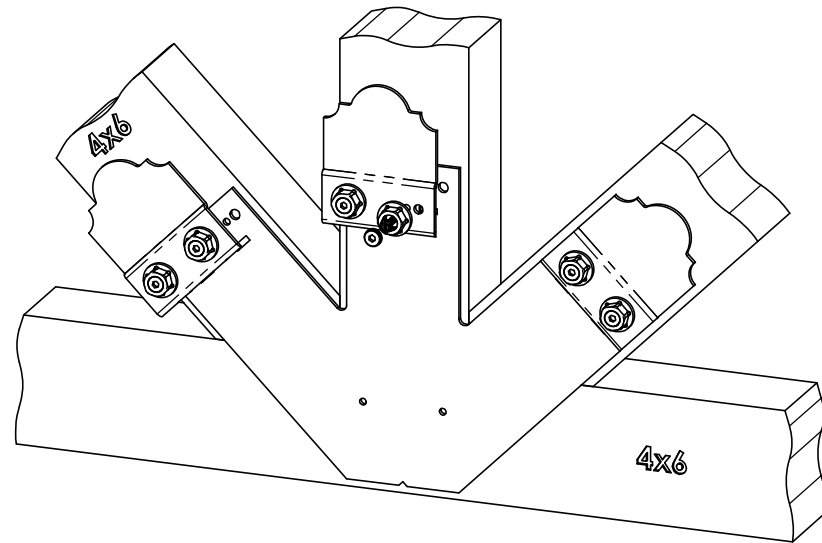
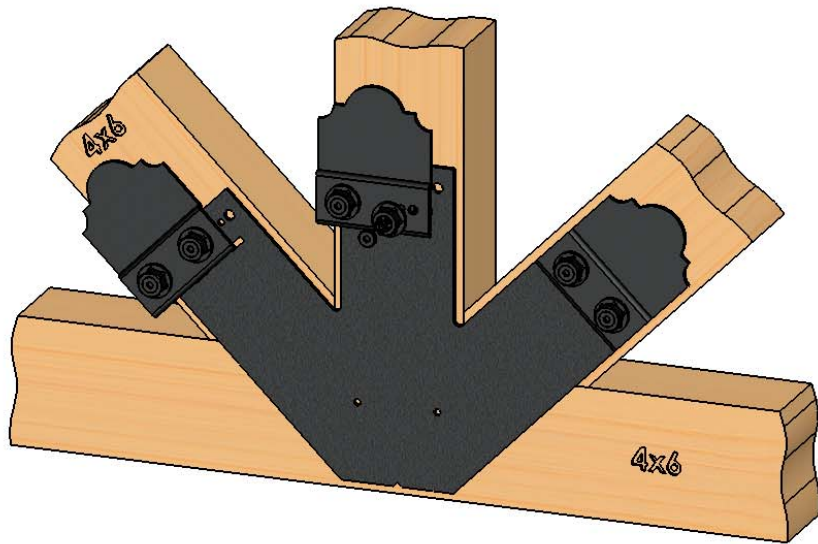
Weight: 13.71 LBS  
Scale: 1:8  
Last updated: 10/10/2016

56646-10

# Product & Packaging Specs

## Truss Base Fan 3 Point (TBF-3-PT)

Item #: Typical Installation & Basic Assembly



**ACCENT PLATES, TIMBER BOLTS &/OR  
SCREWS SOLD SEPARATELY**

Weight: 13.71 LBS  
Scale: 1:8  
Last updated: 10/10/2016

56646-10

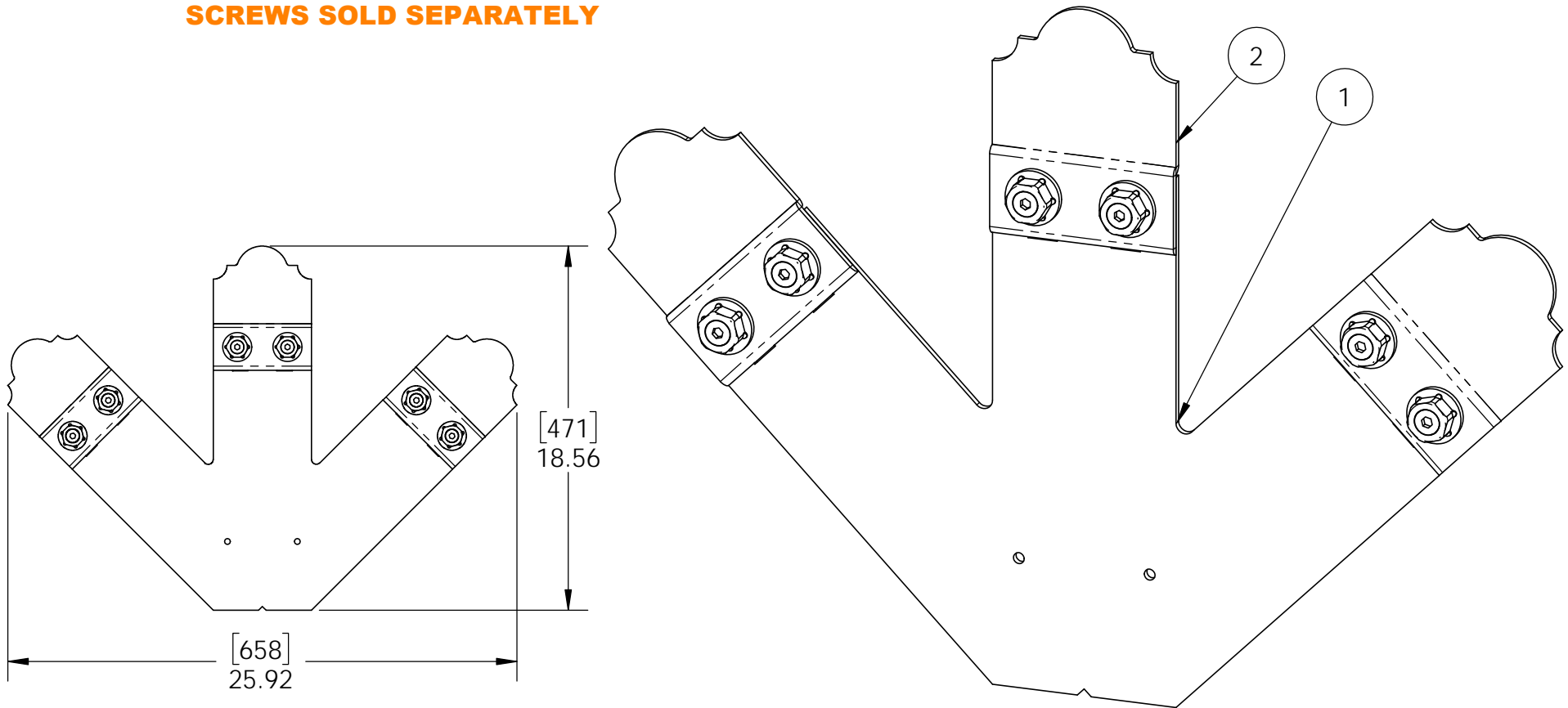
# Product & Packaging Specs

## Truss Base Fan 3 Point (TBF-3-PT)

Item #: 56646ASM

ITEM NO.	QTY.	PART NUMBER	DESCRIPTION
1	1	56646	Truss Base Fan 3 Point (TBF-3-PT)
2	1.5	56611	Truss Accent (TA-LS)

**ACCENT PLATES, TIMBER BOLTS &/OR SCREWS SOLD SEPARATELY**



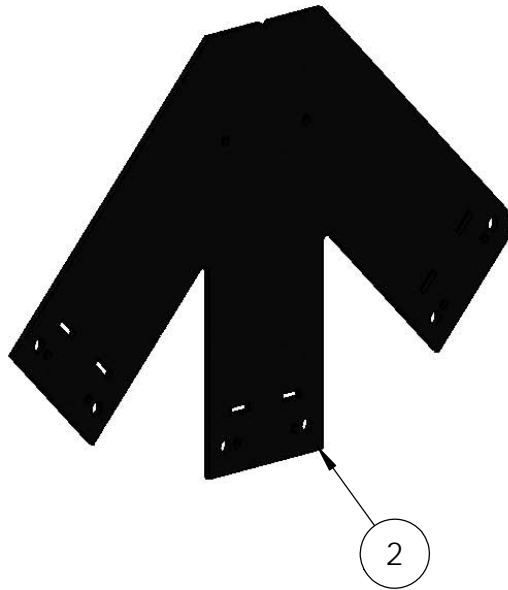
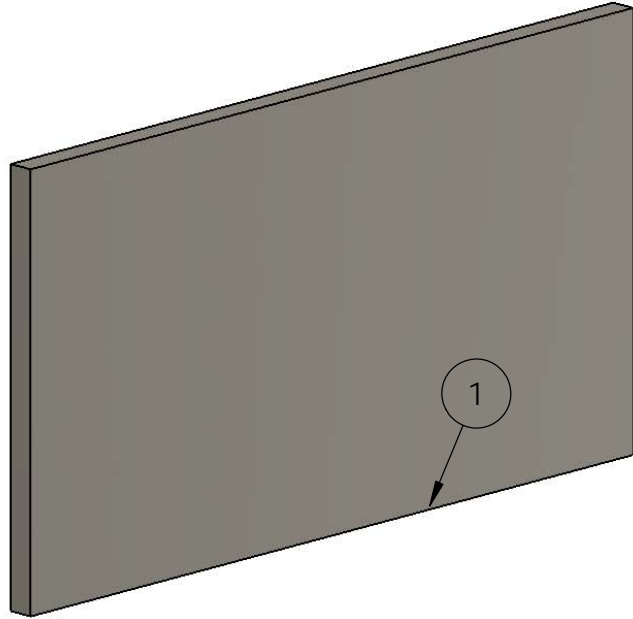
Weight: 13.71 LBS  
 Scale: 1:4  
 Last updated: 10/10/2016

not sold as shown; for use in Projects only  
 end user must choose Timber Screws or Timber Bolts

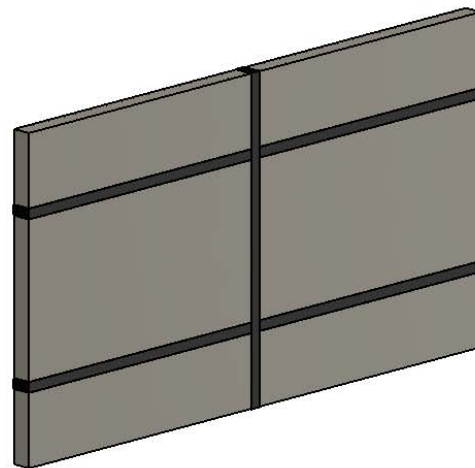
# Product & Packaging Specs

56646 Packing

Item #: Box packing



ITEM NO.	QTY.	PART NUMBER	DESCRIPTION
1	1	Truss Base Fan Box	Box, Truss Base Fan
2	1	56646	Truss Base Fan 3 Point (TBF-3-PT)



secure with straps as shown

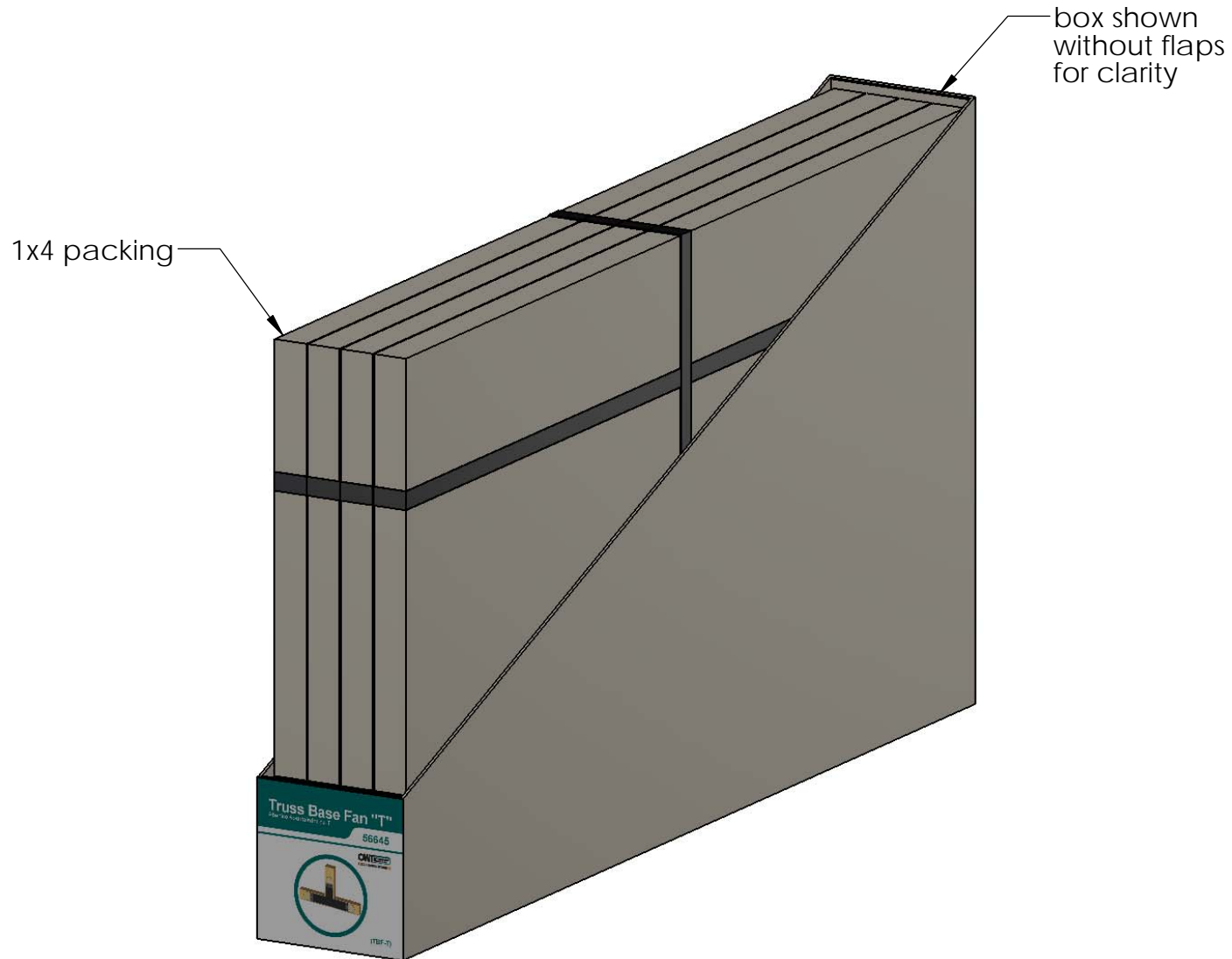
Weight: 9.35 LBS  
 Scale: 1:6  
 Last updated: 10/10/2016

56646-10

# Product & Packaging Specs

56646 Packing

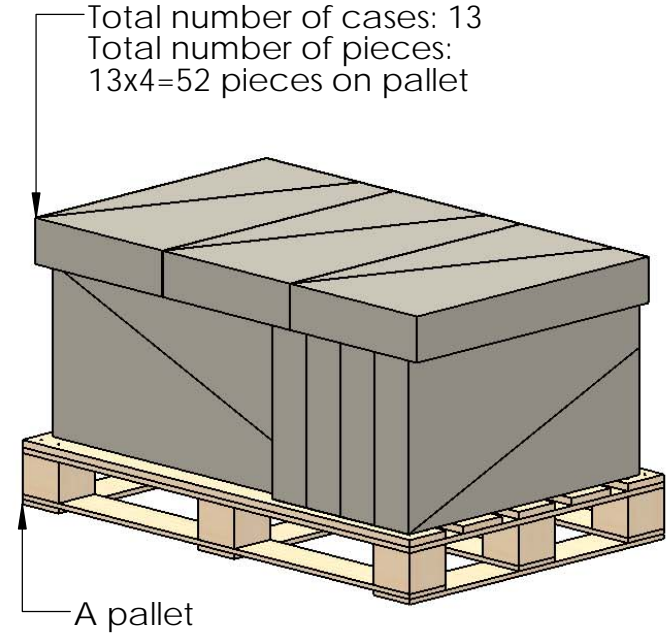
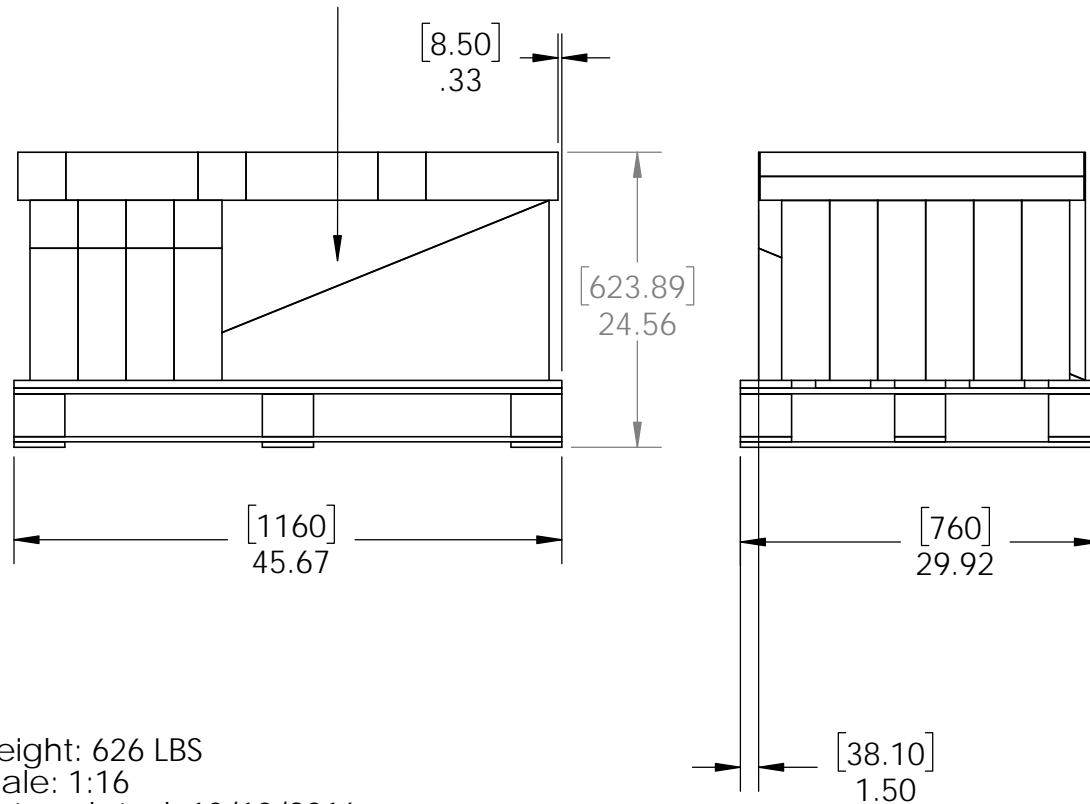
Item #: Case packing



Weight: 37.73 LBS  
Scale: 1:4  
Last updated: 10/10/2016

56646-10

Item #: **56646** | **TBF-3-PT**  
**Truss Base Fan 3 Point**  
**PALLET** **52 pcs**  
 SKU#: **56846**  
 Weight: **626** lbs  
 LOT# \_\_\_\_\_ Priority# \_\_\_\_\_



additional pallet packing instructions

- plywood on top layer
- strap to pallet
- clear wrap around boxes

Weight: 626 LBS  
 Scale: 1:16  
 Last updated: 10/10/2016