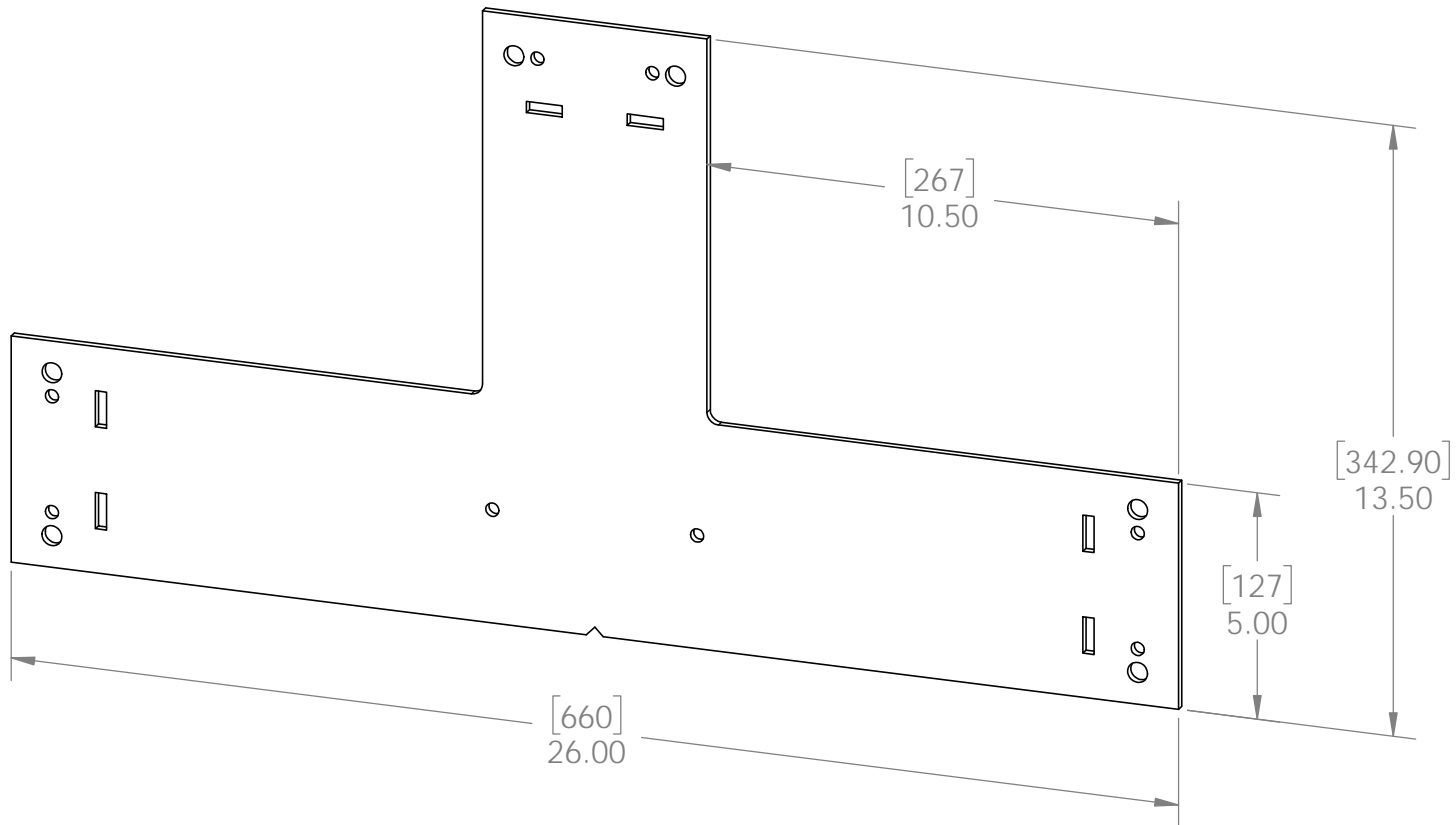


Weight: 9.15 LBS
 Scale: 1:4
 Last updated: 10/10/2016

Product & Packaging Specs

Truss Base Fan-T (TBF-T)

Item #: 56645



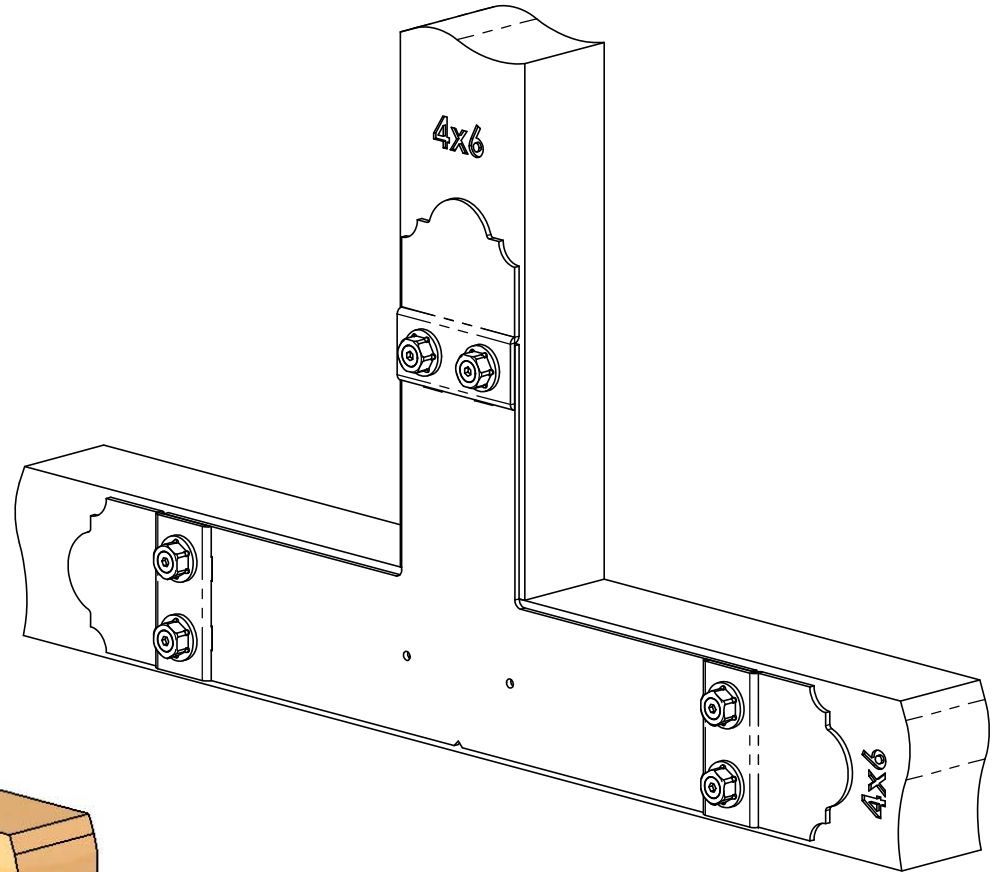
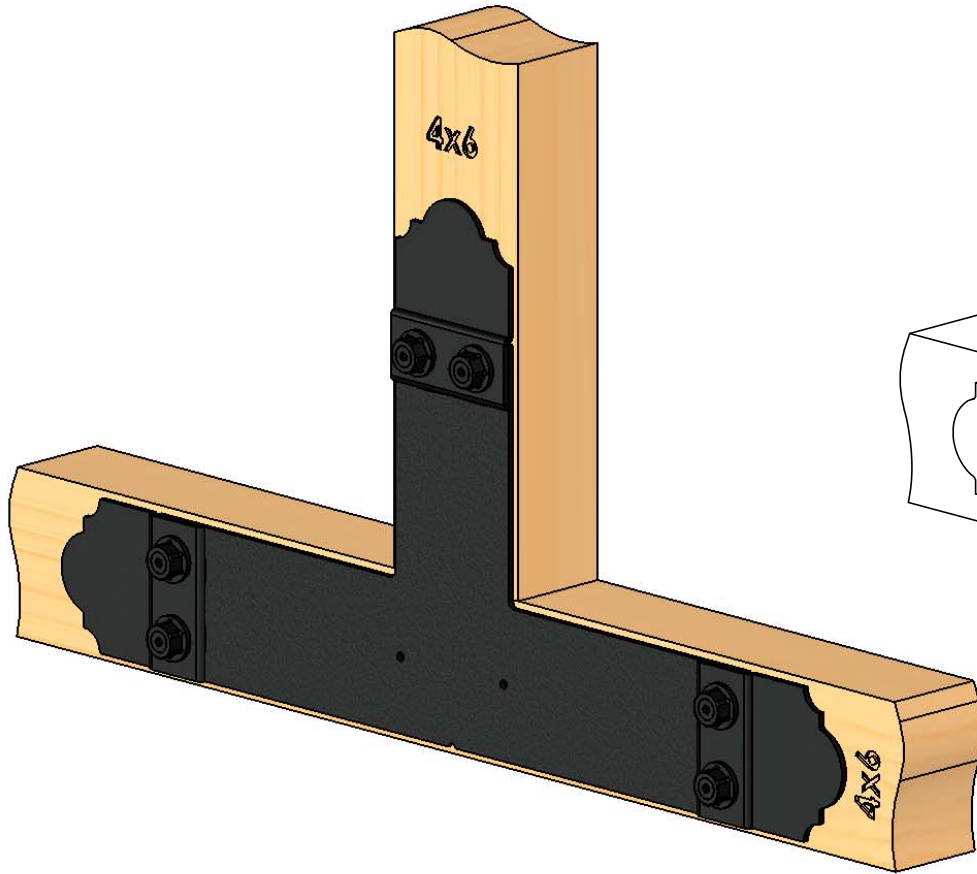
Weight: 9.15 LBS
Scale: 1:4
Last updated: 10/10/2016

56645-10

Product & Packaging Specs

Truss Base Fan-T (TBF-T)

Item #: Typical Installation & Basic Assembly



**ACCENT PLATES, TIMBER BOLTS &/OR
SCREWS SOLD SEPARATELY**

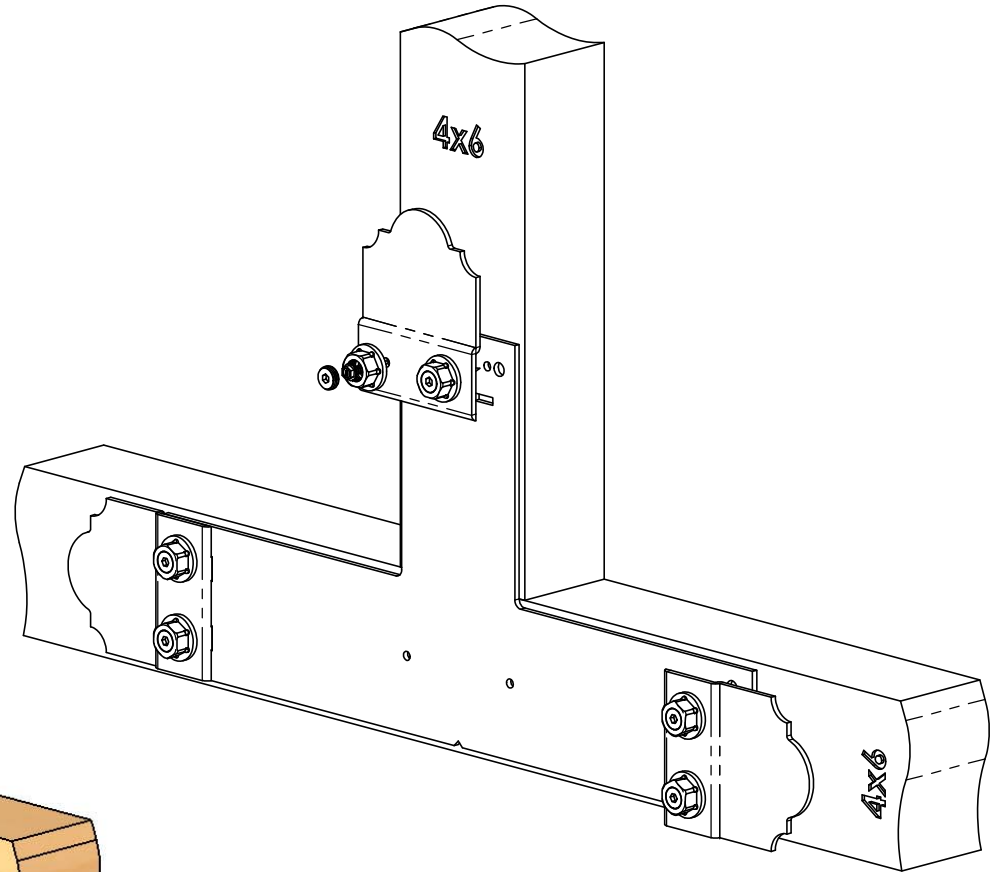
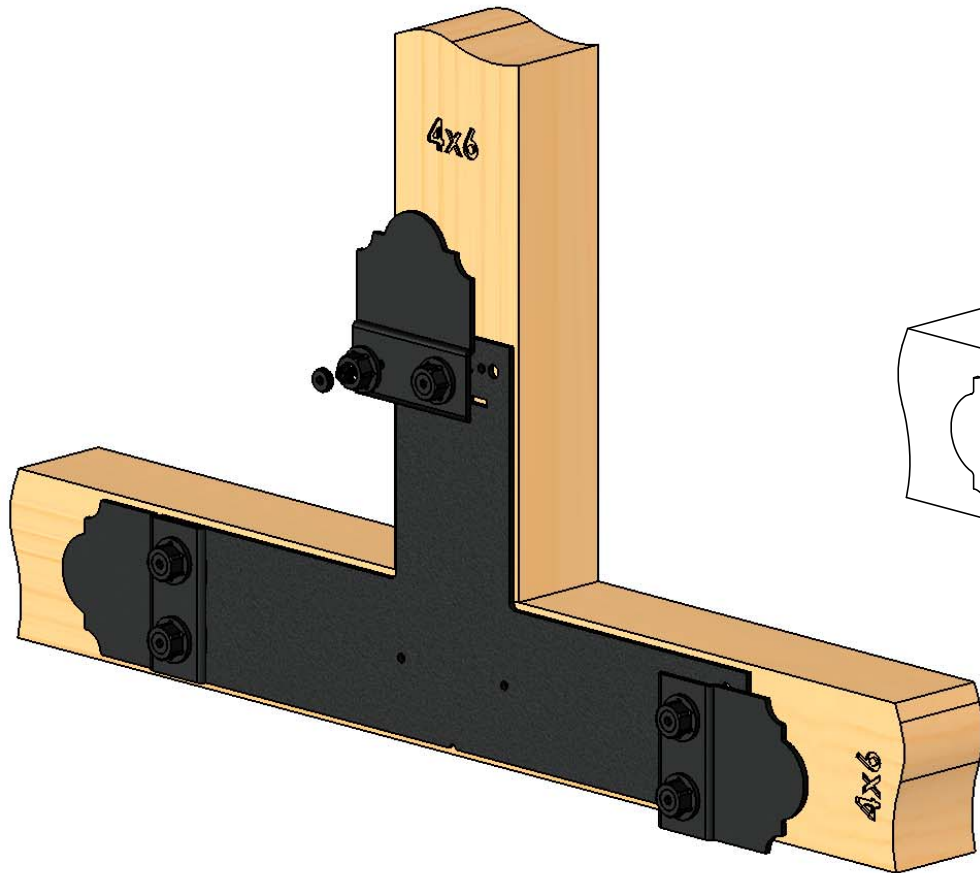
Weight: 13.89 LBS
Scale: 1:6
Last updated: 10/10/2016

56645-10

Product & Packaging Specs

Truss Base Fan-T (TBF-T)

Item #: Typical Installation & Basic Assembly



**ACCENT PLATES, TIMBER BOLTS &/OR
SCREWS SOLD SEPARATELY**

Weight: 13.89 LBS
Scale: 1:6
Last updated: 10/10/2016

56645-10



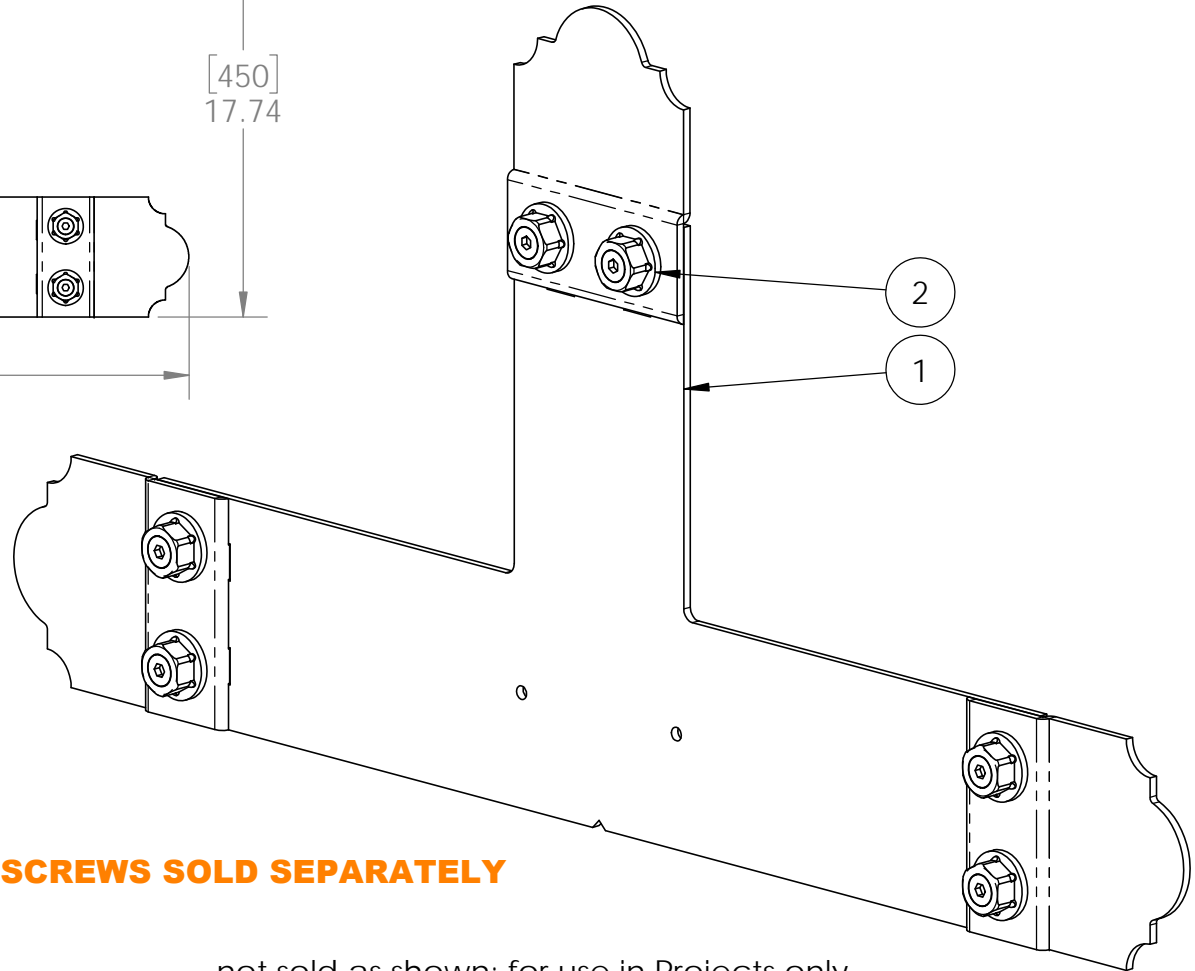
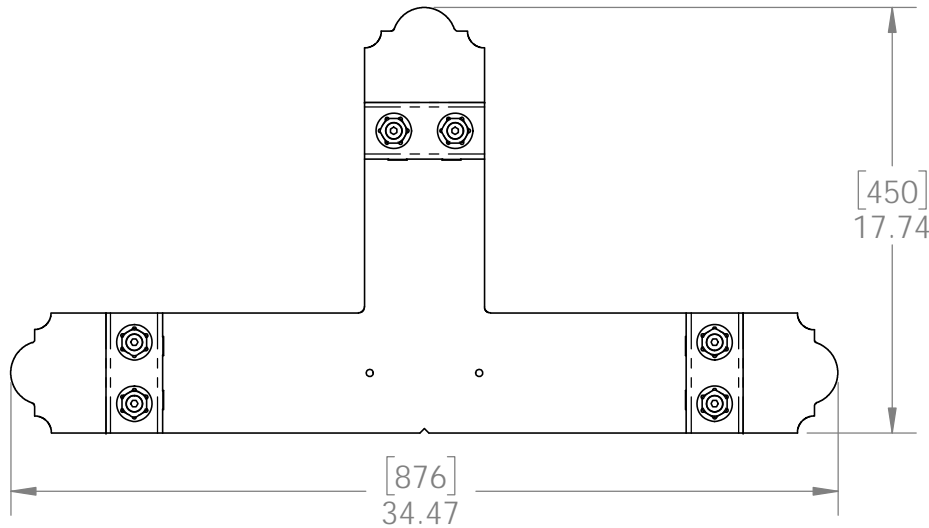
OZCO BUILDING PRODUCTS

Product & Packaging Specs

Truss Base Fan-T (TBF-T)

Item #: 56645ASM

ITEM NO.	QTY.	PART NUMBER	DESCRIPTION
1	1	56645	Truss Base Fan-T (TBF-T)
2	1.5	56611	Truss Accent (TA-LS)



ACCENT PLATES, TIMBER BOLTS &/OR SCREWS SOLD SEPARATELY

Weight: 13.89 LBS
 Scale: 1:4
 Last updated: 10/10/2016

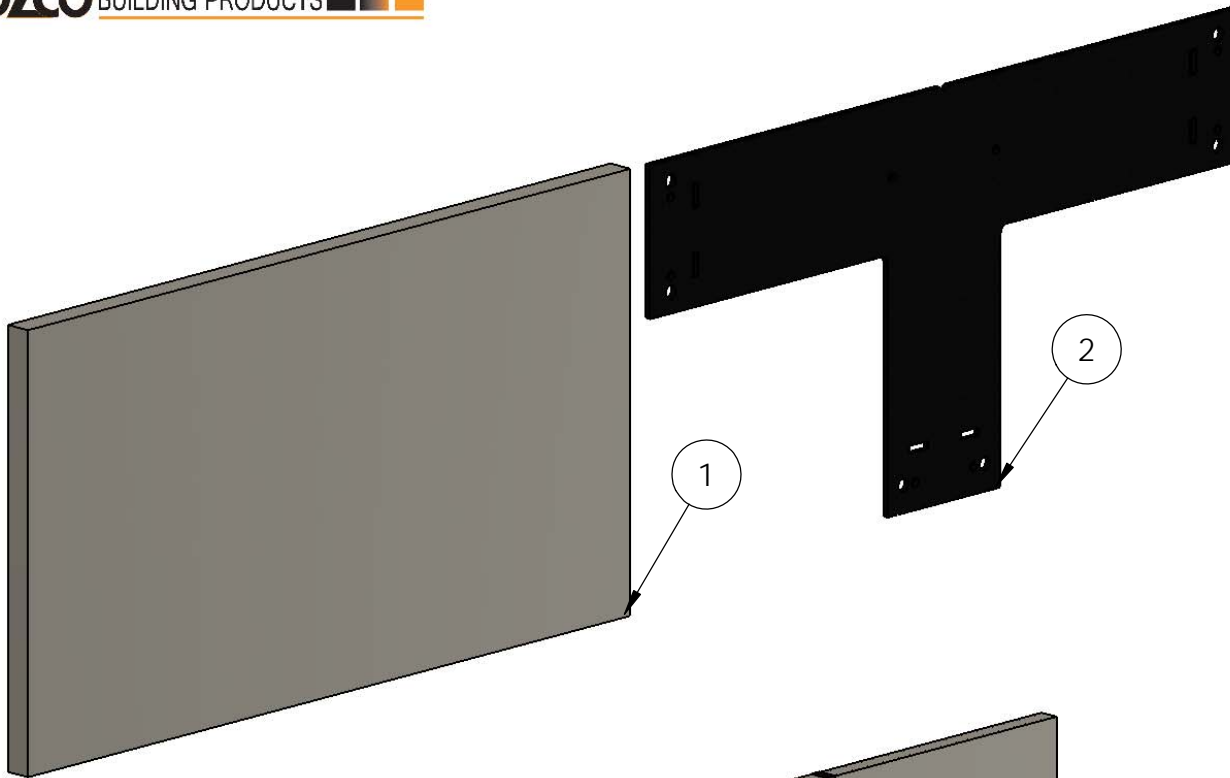
not sold as shown; for use in Projects only
 end user must choose Timber Screws or Timber Bolts

56645-10

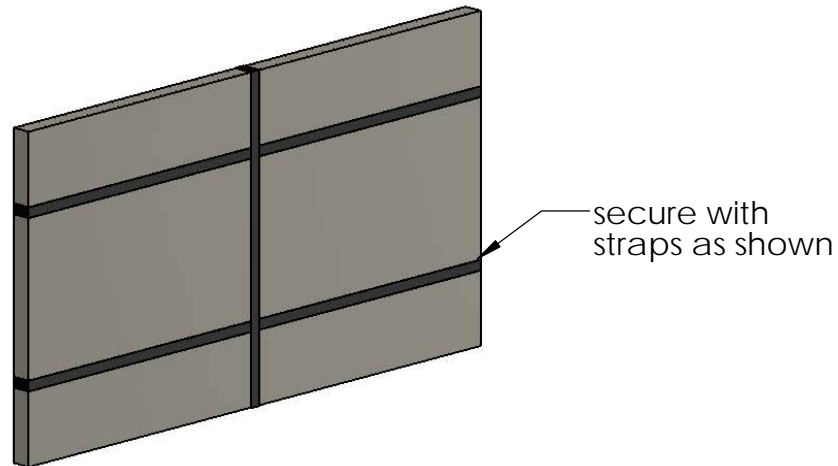
Product & Packaging Specs

56645 Packing

Item #: Box packing



ITEM NO.	QTY.	PART NUMBER	DESCRIPTION
1	1	Truss Base Fan Box	Box, Truss Base Fan
2	1	56645	Truss Base Fan-T (TBF-T)



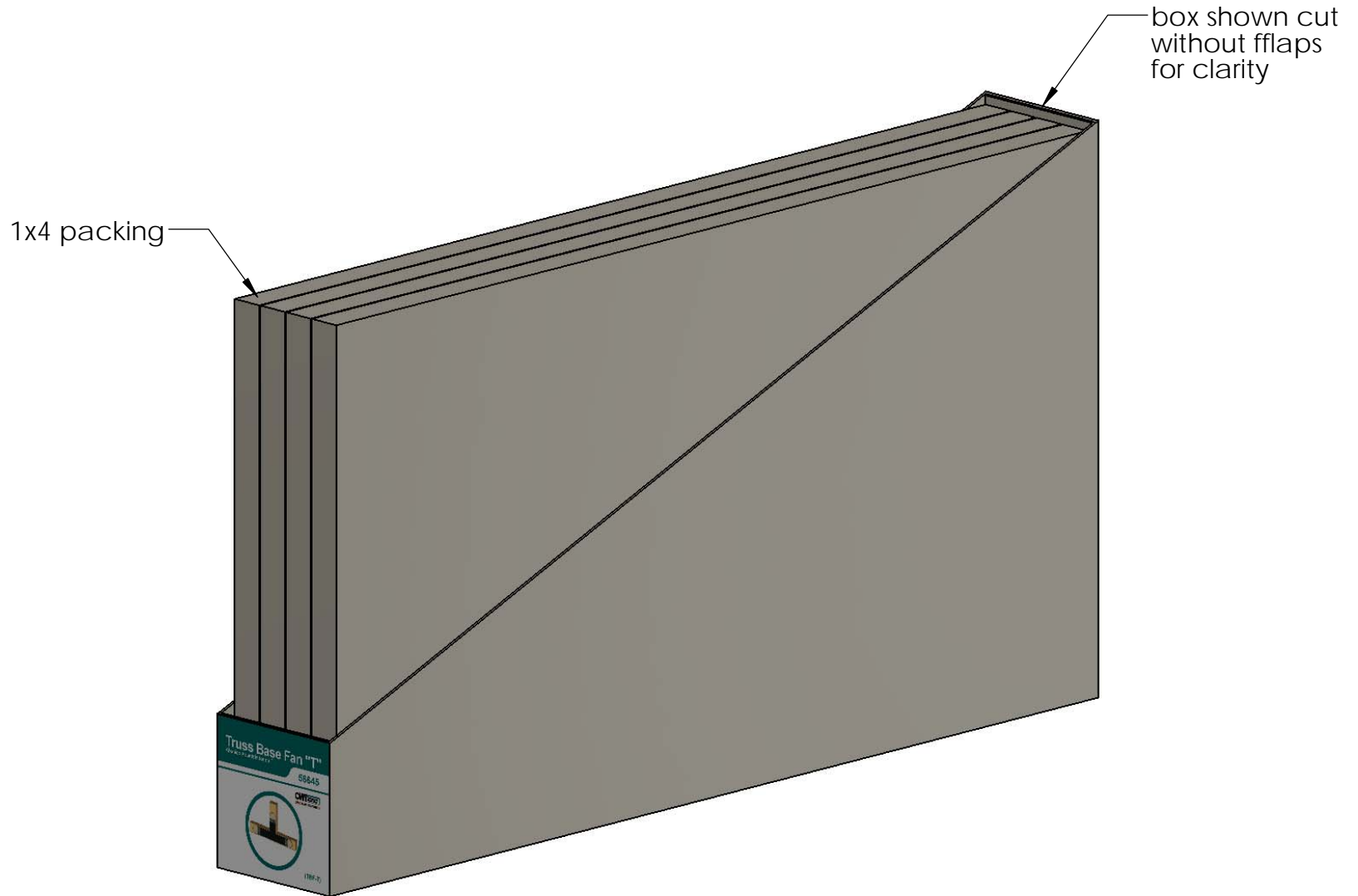
Weight: 9.53 LBS
 Scale: 1:6
 Last updated: 10/10/2016

56645-10

Product & Packaging Specs



56645 Packing

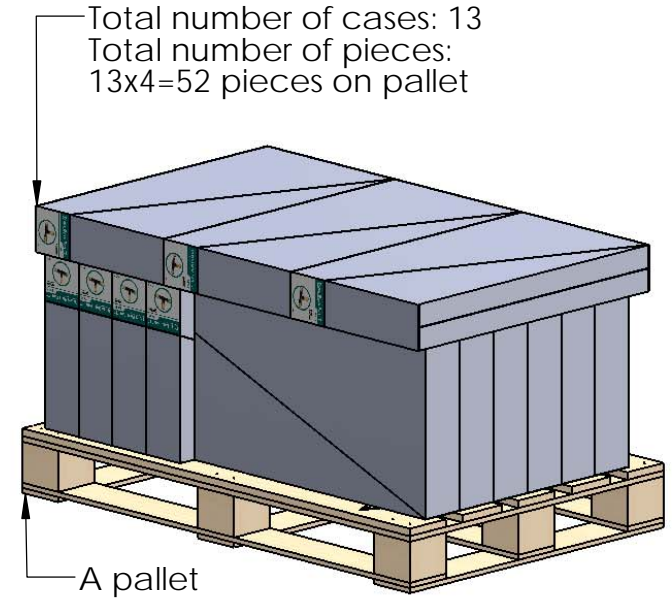
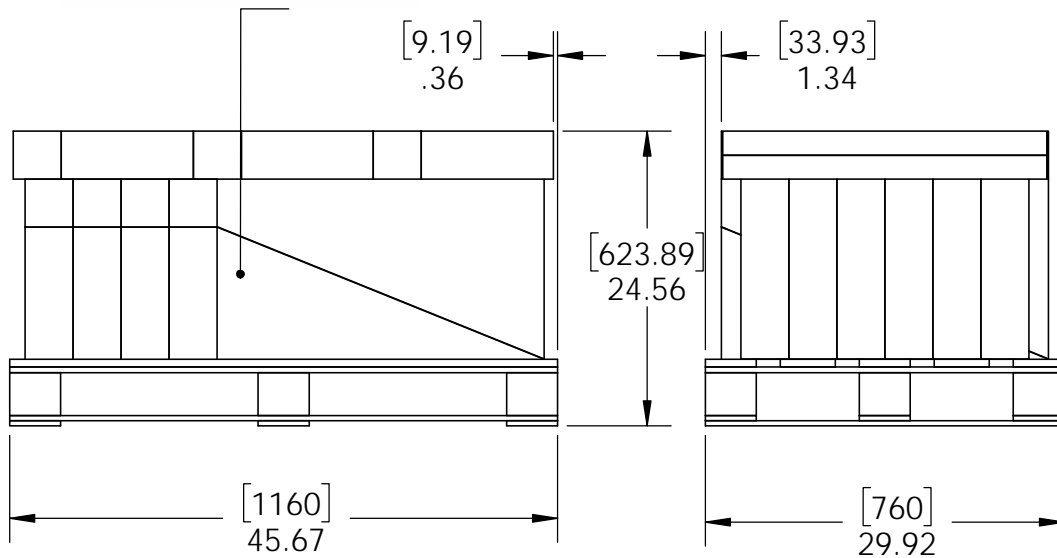
Item #: Case packing



Weight: 38.41 LBS
Scale: 1:4
Last updated: 10/10/2016

56645-10

Item #: **56645** | **TBF-T**
Truss Base Fan "T"
PALLET 52 pcs
 SKU#: **56845** 
 Weight: **570 lbs**
 LOT# Priority# 



additional pallet packing instructions

- plywood on top layer
- strap to pallet
- clear wrap around boxes

Weight: 570 LBS
 Scale: 1:16
 Last updated: 10/10/2016