



OZCO BUILDING PRODUCTS

# Product & Packaging Specs

## 6-8" Joist Hanger Flush (JHF-68-LS)

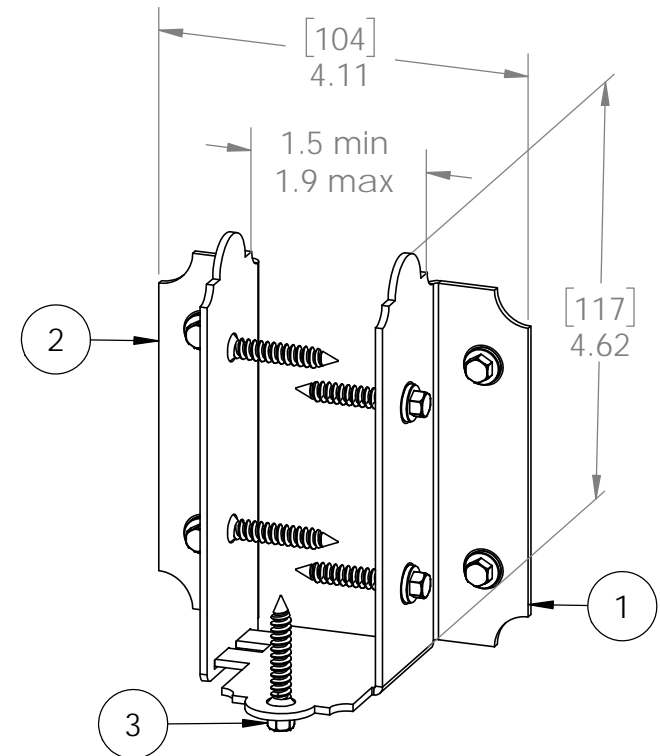
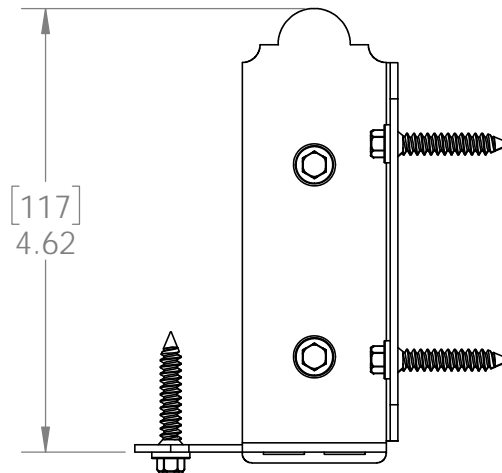
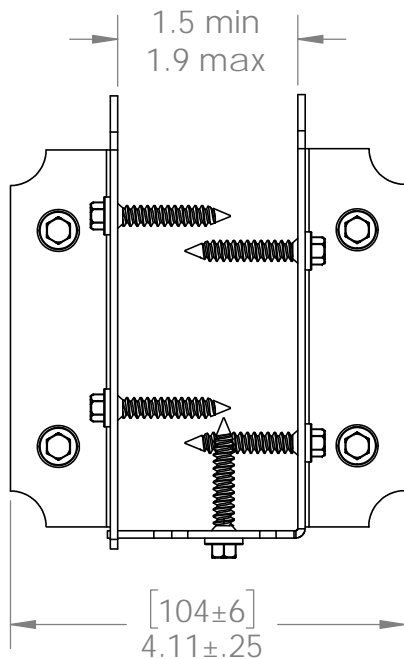
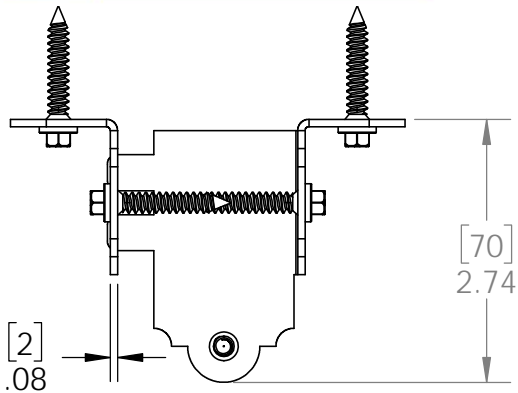
Item #: 56639

### This Package Includes



- Requires a 1/4" hex driver bit
- Exclusive high friction design
- No pre-drilling required

ITEM NO.	QTY.	PART NUMBER	DESCRIPTION
1	1	56639-11	Bracket, Joist Hanger
2	1	56639-12	Bracket, Joist Hanger
3	9	80060	Screw, 1-1/2"x1/4" Black Hex-Head (1-1/2-HX-SCR)



Weight: 0.56 LBS  
 Scale: 1:2  
 Last updated: 10/10/2016

56639-10

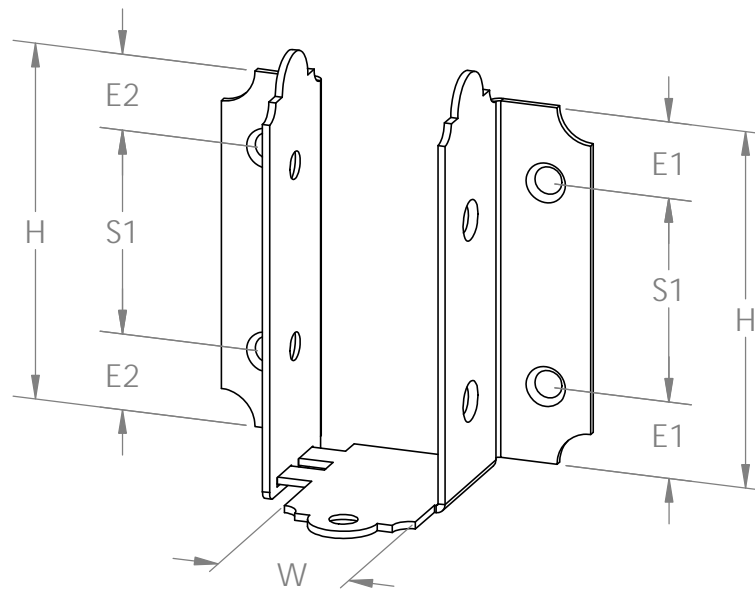
revision B corrects #10 screws to #12

V2.00 - Installation Instructions, Specifications and Project Plans are effective 10/10/2016. This information is updated periodically and should not be relied upon after 2 years from 10/10/2016. Please visit OZCOBP.com to get current information.

# Product & Packaging Specs

## 6-8" JOIST HANGER FLUSH

Item #: 56639



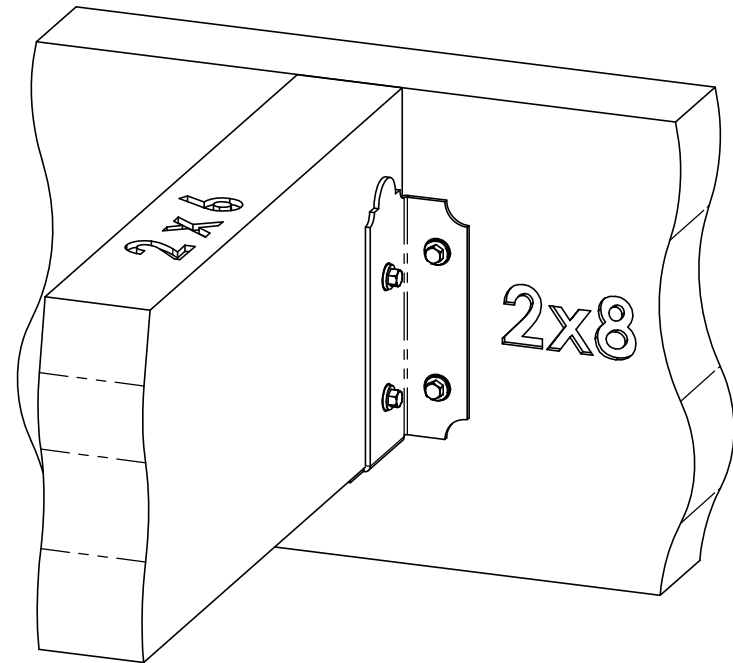
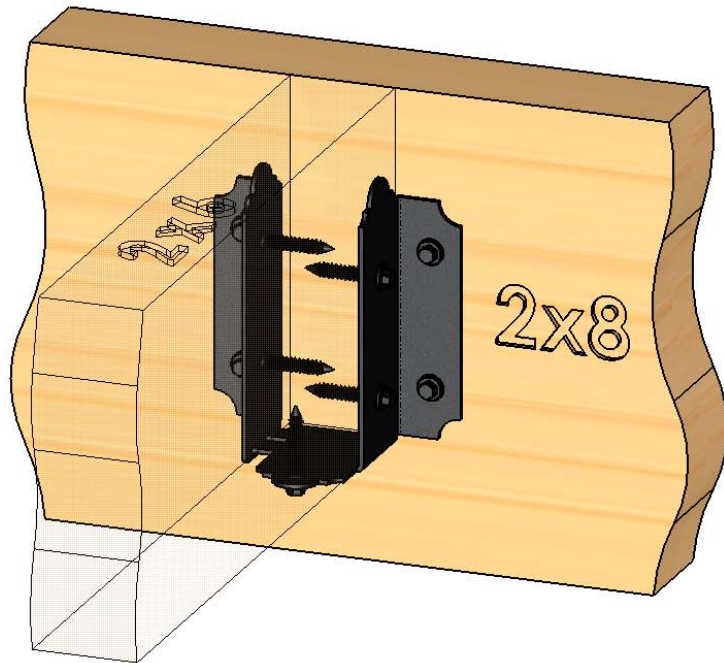
Weight: 0.54 LBS  
Scale: 1:2  
Last updated: 10/10/2016

56639-10  
revision B corrects #10 screws to #12

# Product & Packaging Specs

## 6-8" Joist Hanger Flush (JHF-68-LS)

Item #: 56639



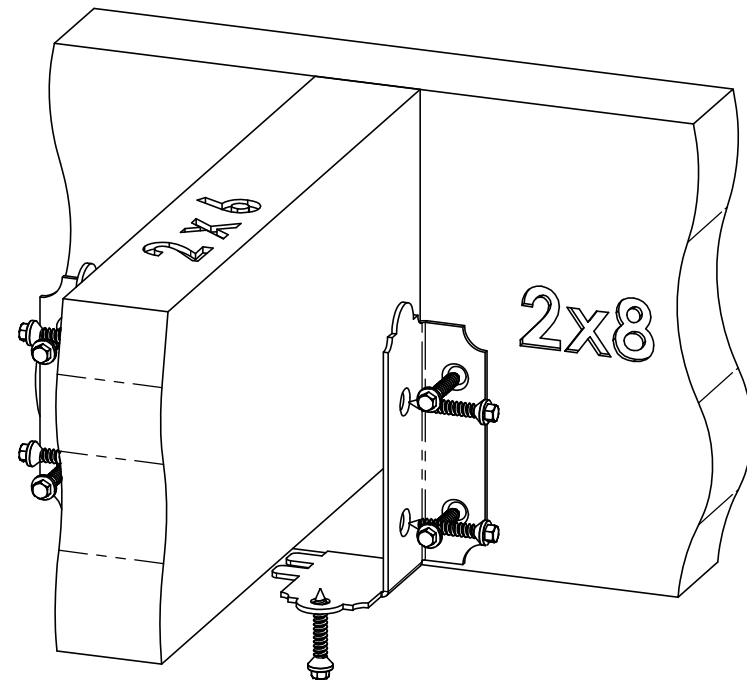
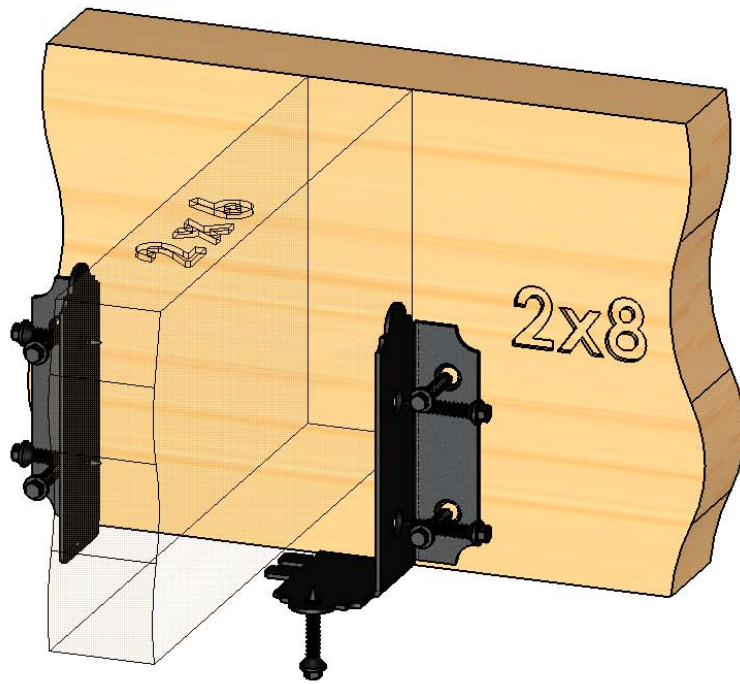
Weight: 0.56 LBS  
Scale: 1:3  
Last updated: 10/10/2016

56639-10

# Product & Packaging Specs

## 6-8" Joist Hanger Flush (JHF-68-LS)

Item #: 56639



Weight: 0.56 LBS  
Scale: 1:3  
Last updated: 10/10/2016

56639-10

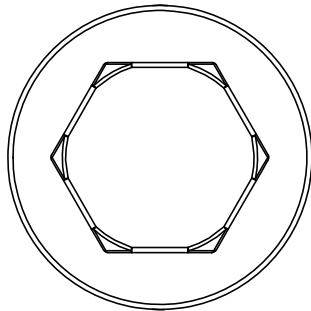


OZCO BUILDING PRODUCTS

This Package Includes



- Requires a 1/4" hex driver bit
- Exclusive high friction design
- No pre-drilling required

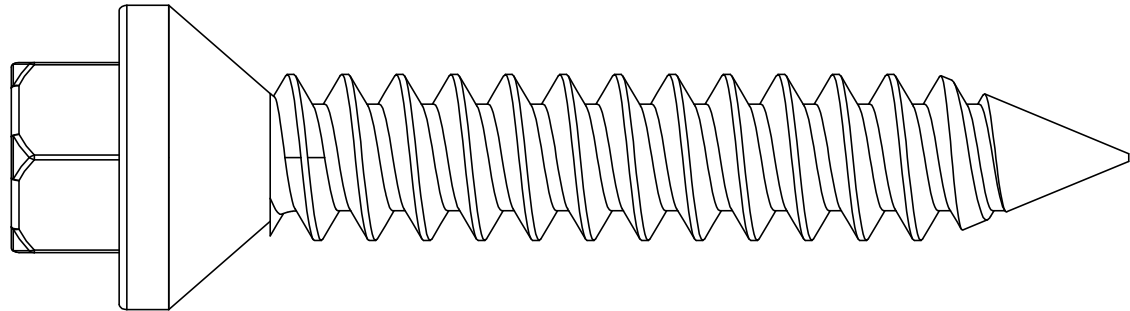
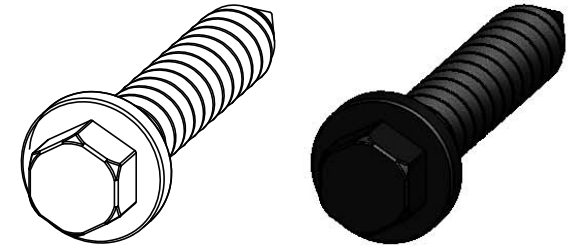


# Product & Packaging Specs

## Screw, 1-1/2"x1/4"

### Black Hex-Head (1-1/2-HX-SCR)

Item #: 80060

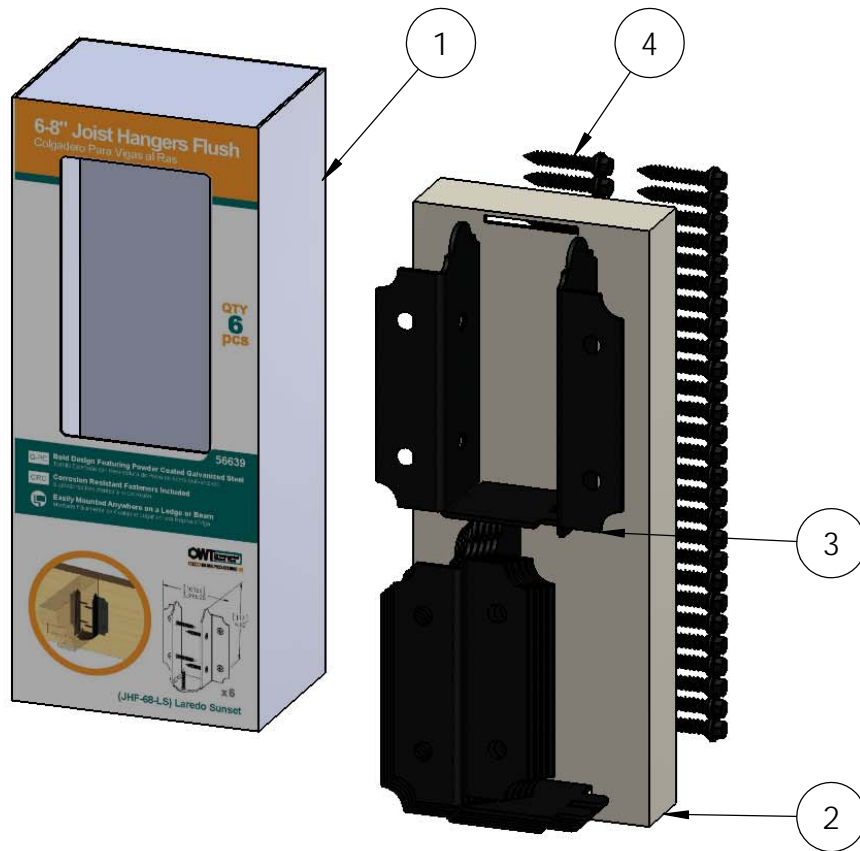


Material: Plain Carbon Steel  
Finish: Black Zinc  
Weight: 0.01 LBS  
Scale: 4:1  
Last updated: 10/10/2016

56639-10

for additional details, see drawing #80060

V2.00 - Installation Instructions, Specifications and Project Plans are effective 10/10/2016 . This information is updated periodically 7 and should not be relied upon after 2 years from 10/10/2016 . Please visit OZCOBP.com to get current information.



ITEM NO.	QTY.	PART NUMBER	DESCRIPTION
1	1	56639 Box	Box, 6-8" Joist Hanger
2	1	56639 Box Insert	56639 Box Insert
3	6	56639-10	6-8" JOIST HANGER FLUSH Screw, 1-
4	54	80060	1/2"x1/4" Black Hex-Head (1-1/2-HX-SCR)

Screws placed inside a small plastic bag and placed inside each box

Weight: 6.24 LBS  
 Scale: 1:3  
 Last updated: 10/10/2016

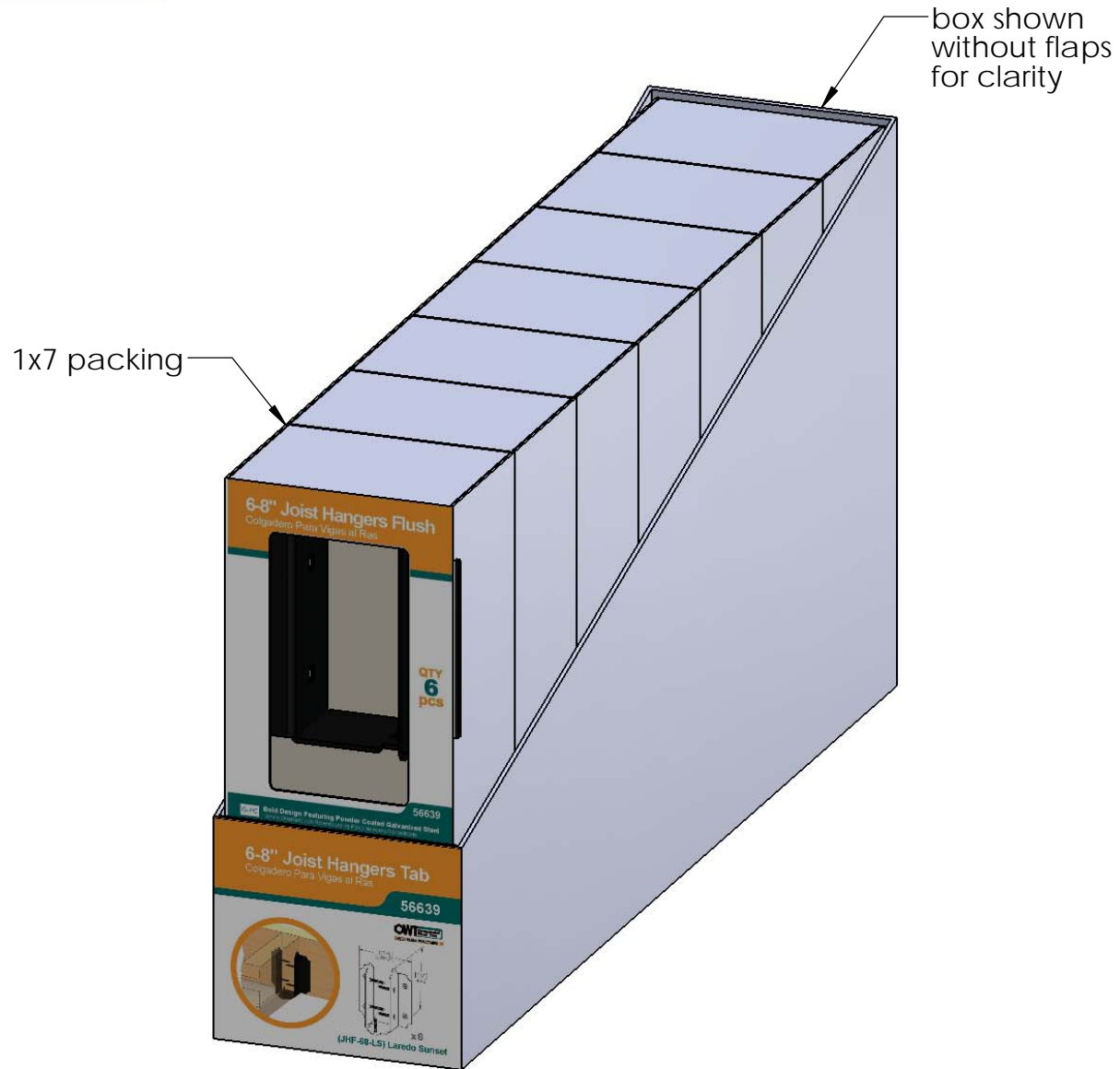
56639-10

revision B corrects #10 screws to #12

# Product & Packaging Specs

56639 Packing

Item #: Case Packing



Weight: 28.10 LBS  
Scale: 1:3  
Last updated: 10/10/2016

56639-10



OZCO BUILDING PRODUCTS

# Product & Packaging Specs

## 56639 Packing

Item #: Pallet Packing

Item #: **56639** | **JHF-68-LS**

6-8" Joist Hanger Flush LS

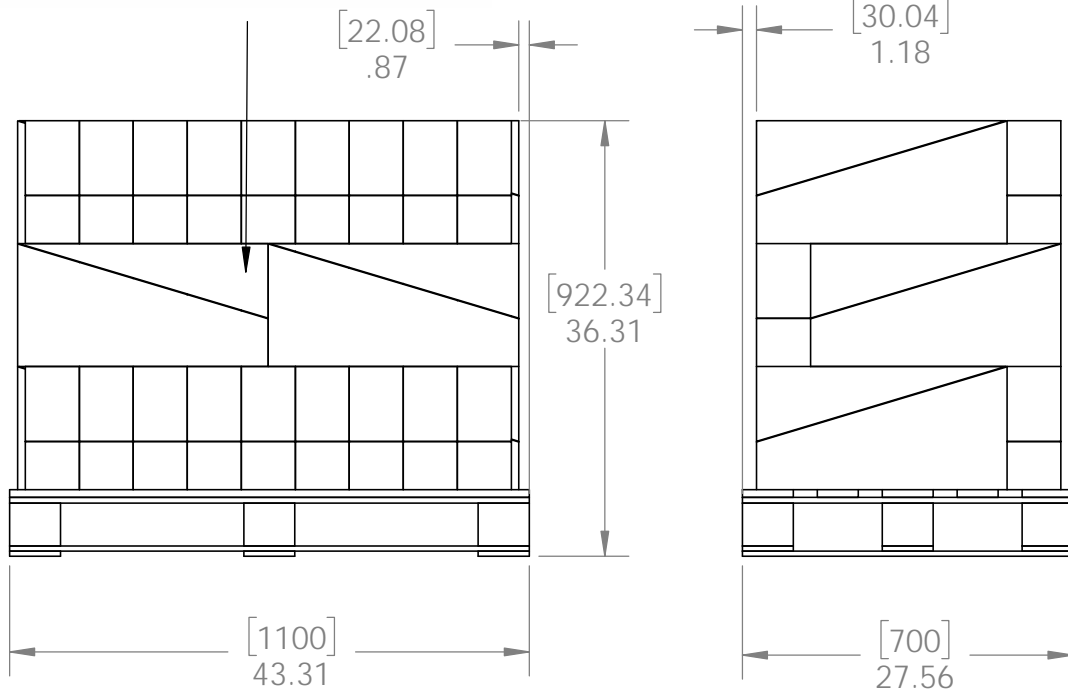
**PALLET** **231 pcs**

SKU#: **56839**



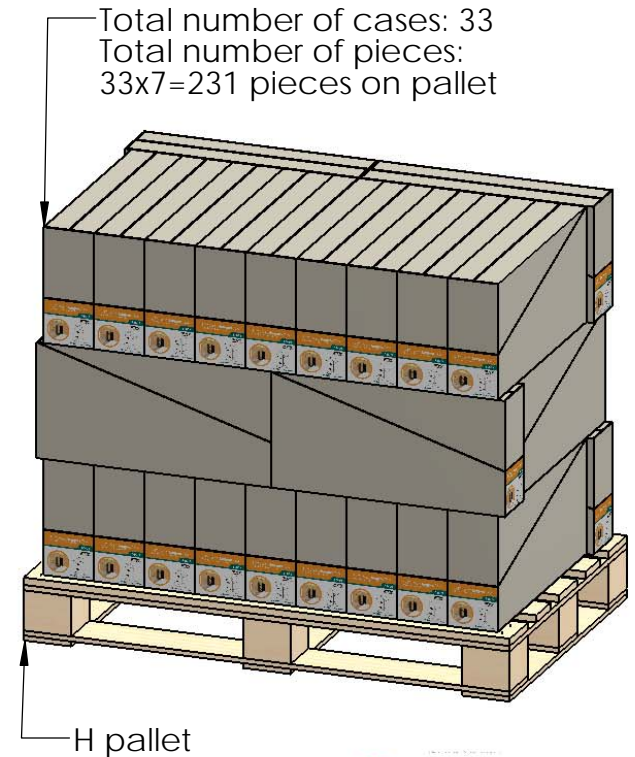
Weight: **959** lbs

LOT# \_\_\_\_\_ Priority# \_\_\_\_\_



Weight: 959 LBS  
Scale: 1:2  
Last updated: 10/10/2016

56639-10



### additional pallet packing instructions

- plywood on top layer
- strap to pallet
- clear wrap around boxes