



OZCO BUILDING PRODUCTS

Product & Packaging Specs

2" High Velocity Rafter Clip

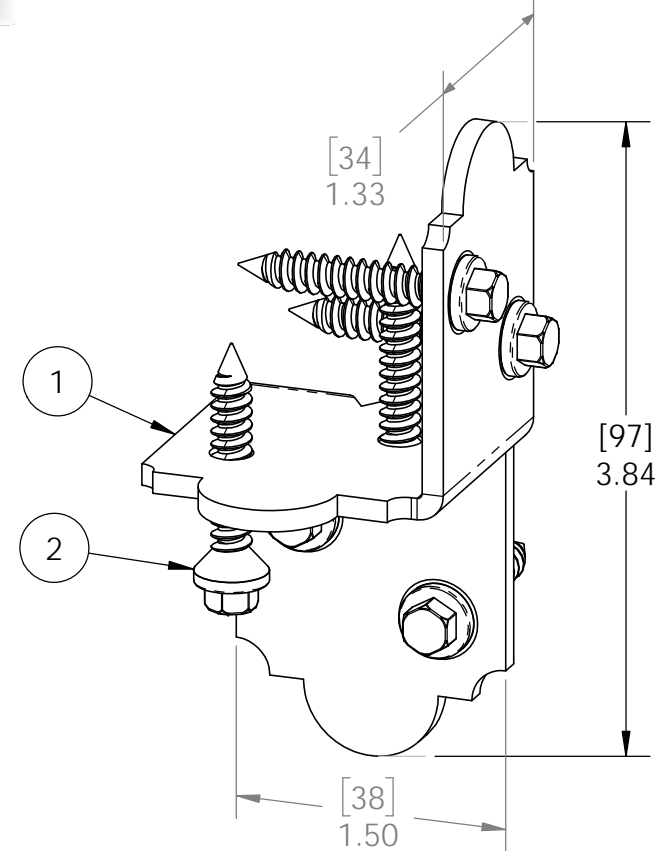
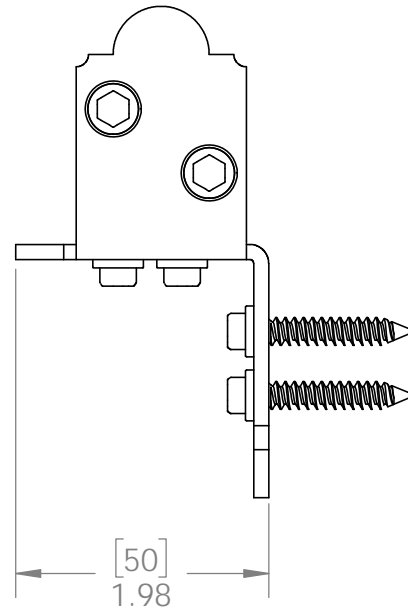
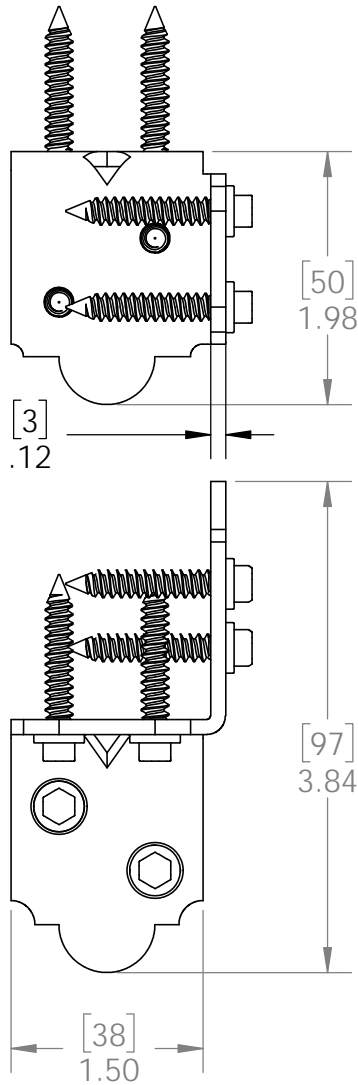
Item #: 56638

This Package Includes



- Requires a 1/4" hex driver bit
- Exclusive high friction design
- No pre-drilling required

ITEM NO.	QTY.	PART NUMBER	DESCRIPTION
1	1	56638-11	2" High Velocity Rafter Clip
2	6	80060	Screw, 1-1/2"x1/4" Black Hex-Head (1-1/2"-HX-SCR)



Weight: 0.09 LBS
 Scale: 1:1.5
 Last updated: 10/10/2016

revision B corrects #10 screws to #12

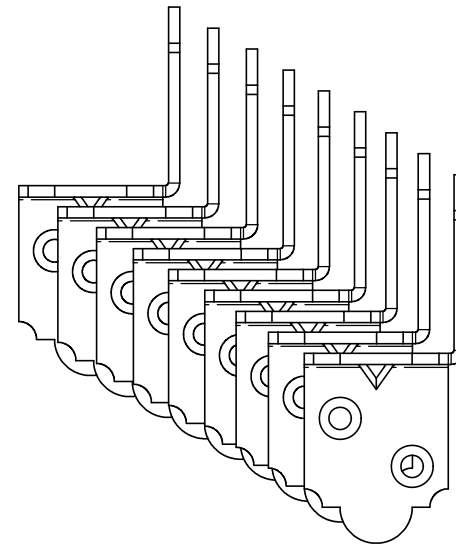
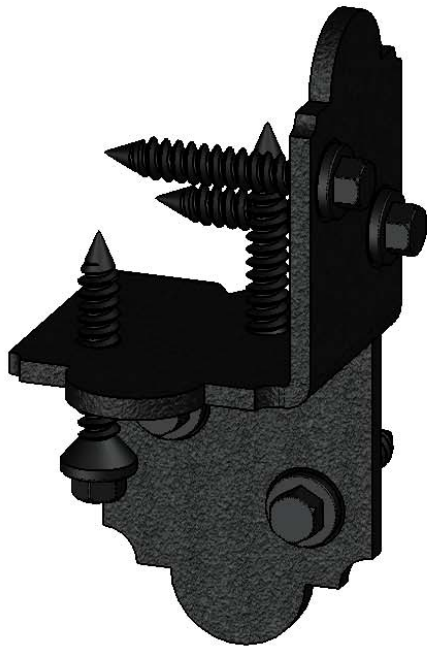
56638-10



Product & Packaging Specs

2" High Velocity Rafter Clip

Item #: 56638



Weight: 0.09 LBS
Scale: 1:2
Last updated: 10/10/2016

revision B corrects #10 screws to #12

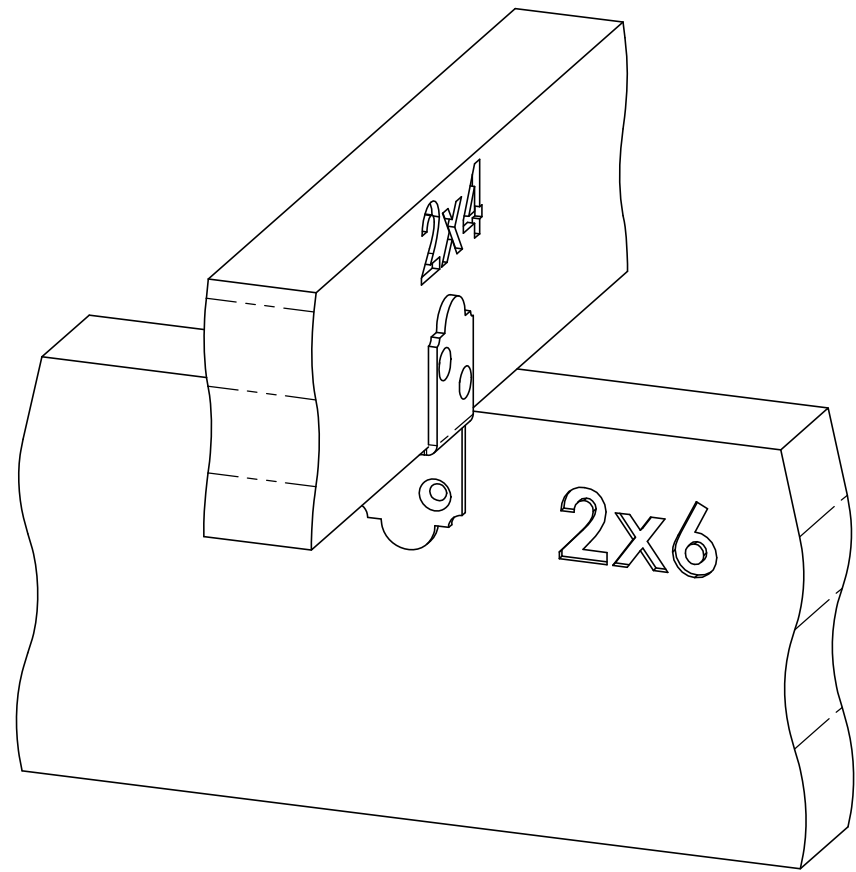
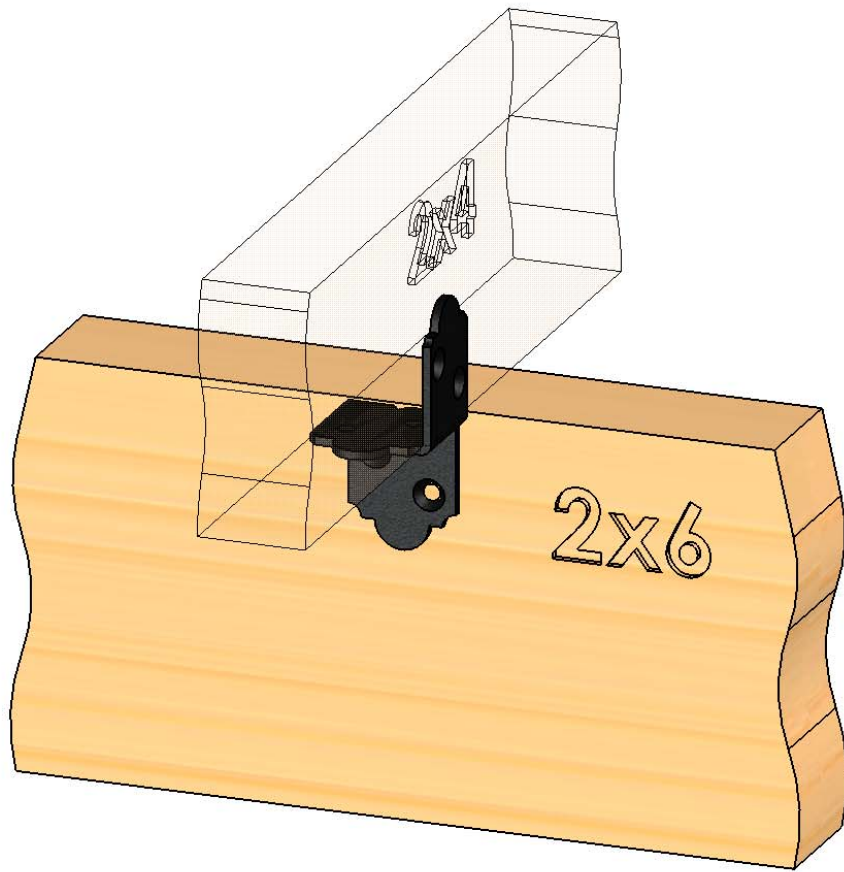
56638-10

V2.00 - Installation Instructions, Specifications and Project Plans are effective 10/10/2016. This information is updated periodically and should not be relied upon after 2 years from 10/10/2016. Please visit OZCOBP.com to get current information.

Product & Packaging Specs

2" High Velocity Rafter Clip

Item #: Typical Installation & Basic Assembly



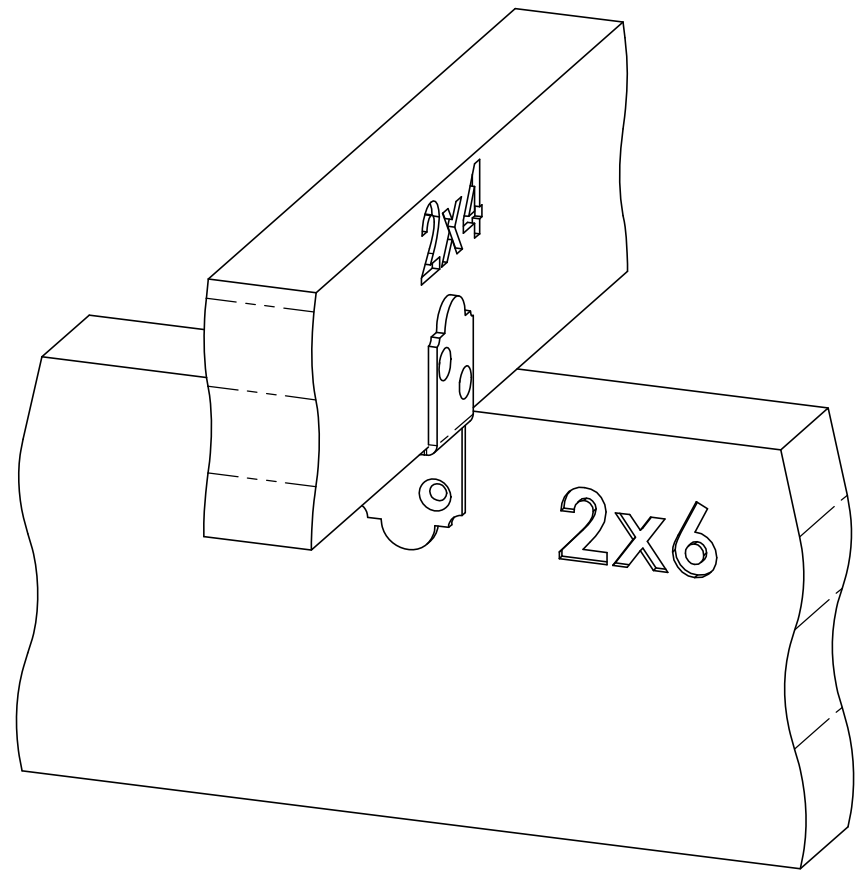
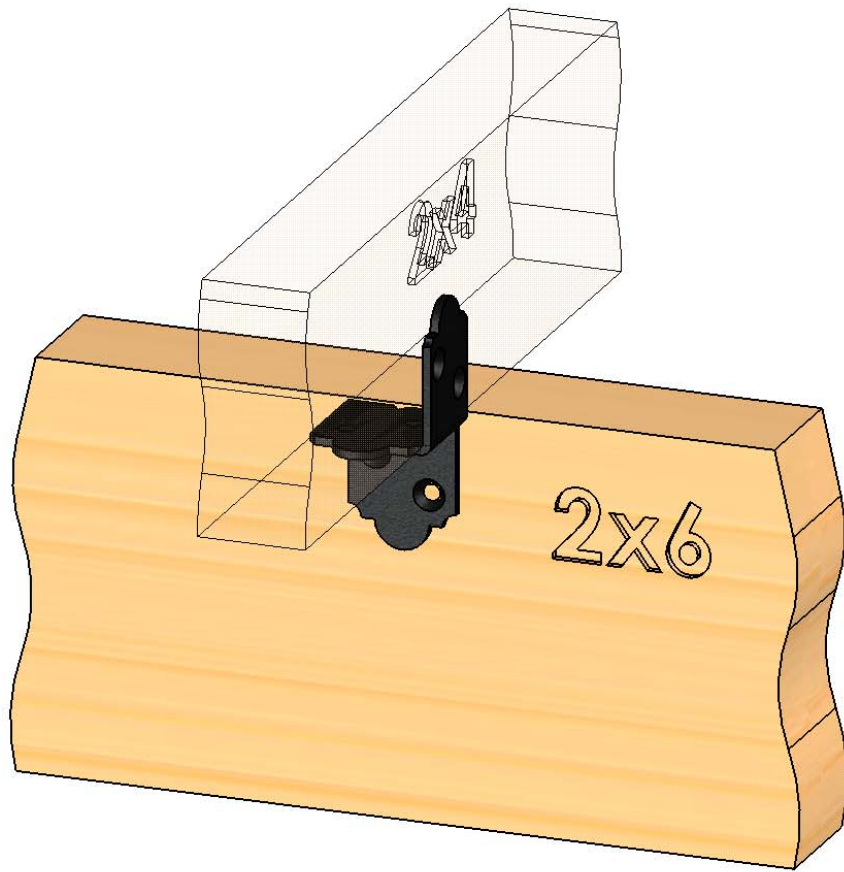
Weight: 0.09 LBS
Scale: 1:2.5
Last updated: 10/10/2016

56638-10

Product & Packaging Specs

2" High Velocity Rafter Clip

Item #: Typical Installation & Basic Assembly



Weight: 0.09 LBS
Scale: 1:2.5
Last updated: 10/10/2016

56638-10

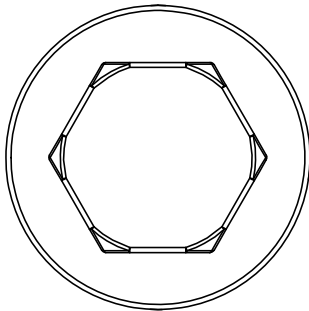


OZCO BUILDING PRODUCTS

This Package Includes



- Requires a 1/4" hex driver bit
- Exclusive high friction design
- No pre-drilling required

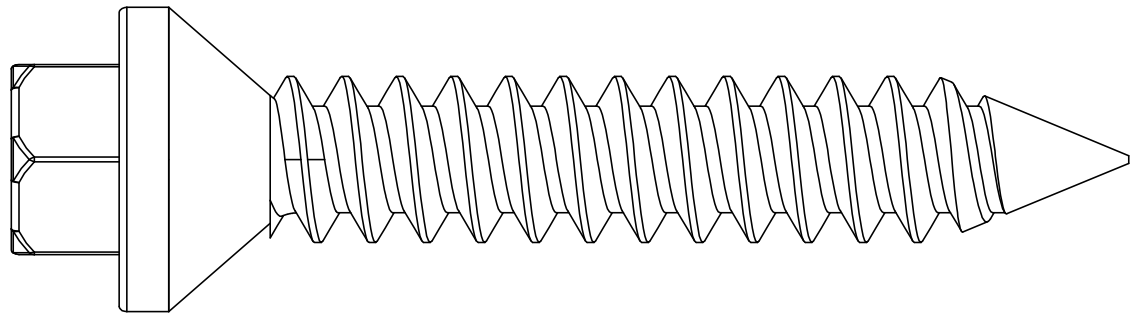
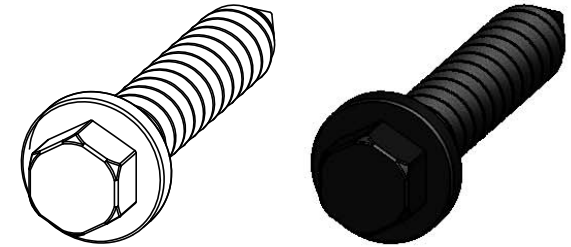


Product & Packaging Specs

Screw, 1-1/2"x1/4"

Black Hex-Head (1-1/2-HX-SCR)

Item #: 80060



Material: Plain Carbon Steel
Finish: Black Zinc
Weight: 0.01 LBS
Scale: 4:1
Last updated: 10/10/2016

56638-10

for additional details, see drawing #80060

V2.00 - Installation Instructions, Specifications and Project Plans are effective 10/10/2016 . This information is updated periodically 6 and should not be relied upon after 2 years from 10/10/2016 . Please visit OZCOBP.com to get current information.

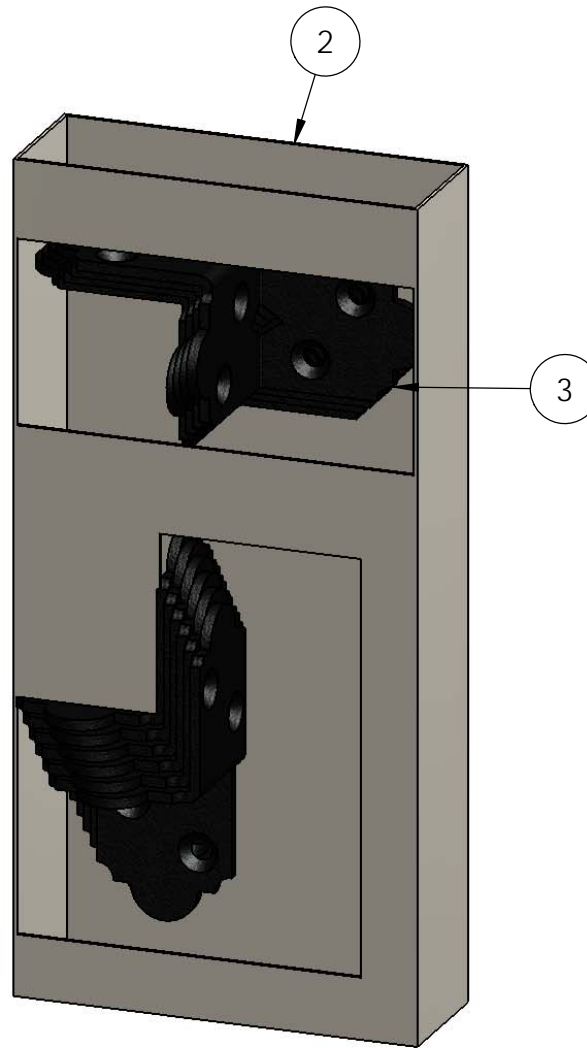


OZCO BUILDING PRODUCTS

Product & Packaging Specs

56638 Packing

Item #: Box packing



ITEM NO.	QTY.	PART NUMBER	DESCRIPTION
1	1	56638 Box	Box, 56638
2	1	56638 Box Insert	Insert, 56638
3	10	56638-11	2" High Velocity Rafter Clip

screws shall be placed in plastic bag and packed as shown

Weight: 0.82 LBS
 Scale: 1:2
 Last updated: 10/10/2016

56638-10

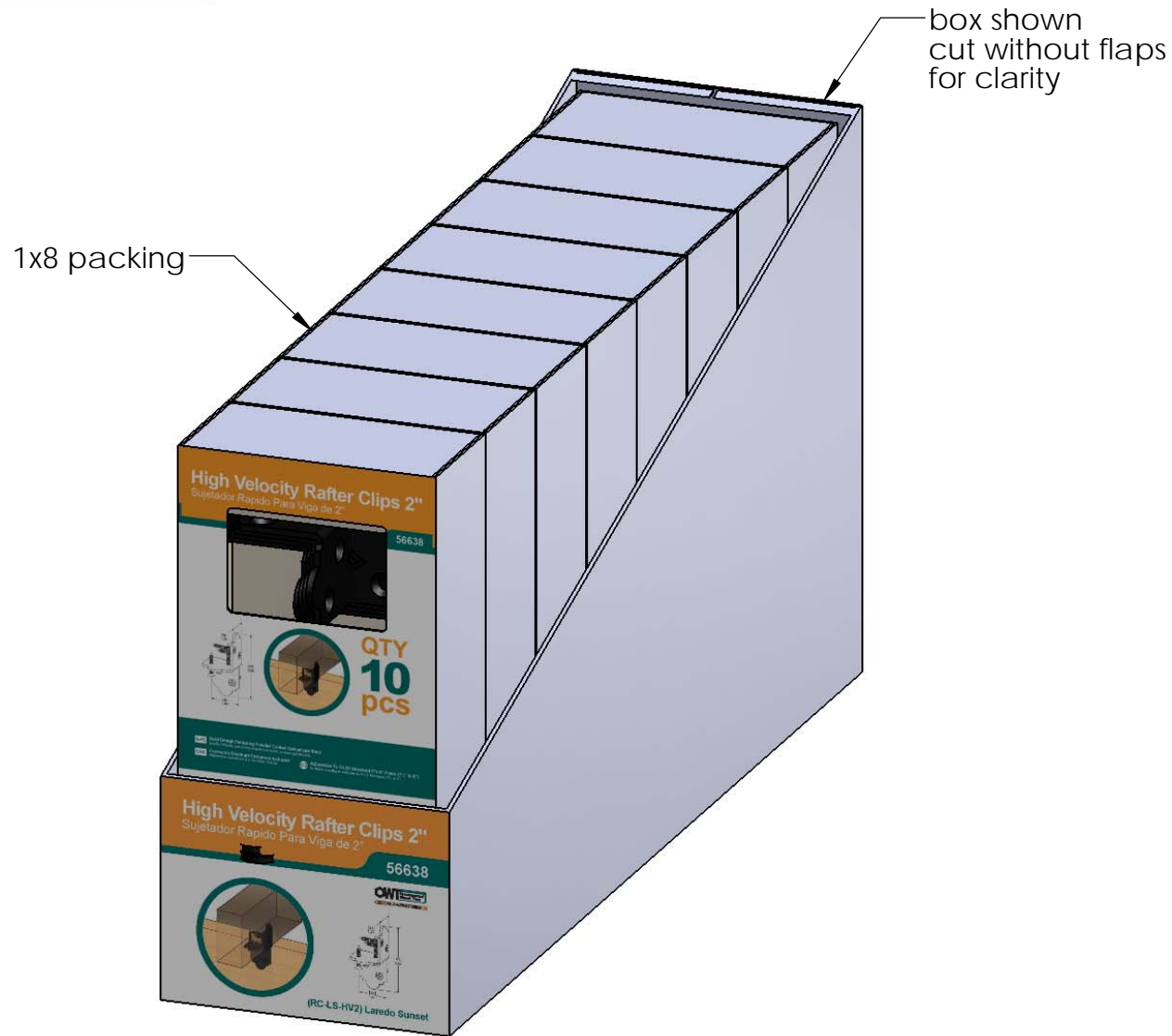
revision B corrects #10 screws to #12

V2.00 - Installation Instructions, Specifications and Project Plans are effective 10/10/2016 . This information is updated periodically and should not be relied upon after 2 years from 10/10/2016 . Please visit OZCOBP.com to get current information.

Product & Packaging Specs

56638 Packing

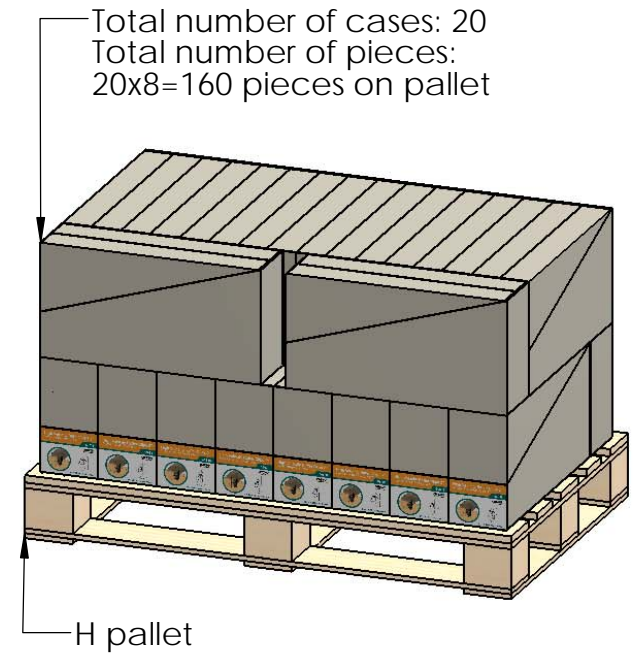
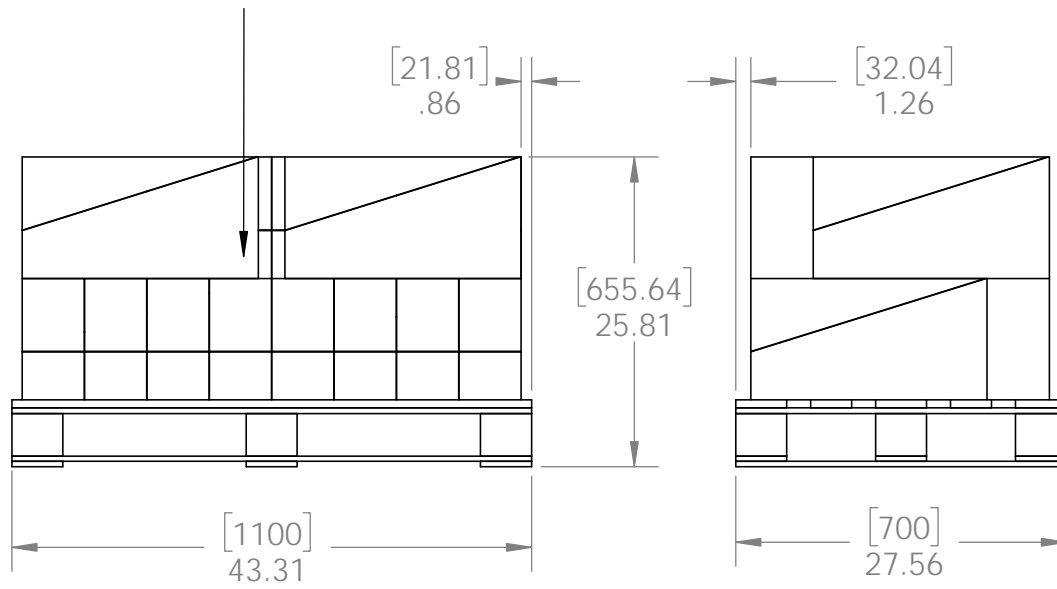
Item #: Case packing



Weight: 22.15 LBS
Scale: 1:3
Last updated: 10/10/2016

56638-10

Item #: **56638** | **RC-LS-HV-2**
2" Rafter Clip HV LS
PALLET **160 pcs**
SKU#: 56838 
Weight: 465 lbs
 LOT# _____ Priority# _____ 



- additional pallet packing instructions
- plywood on top layer
 - strap to pallet
 - clear wrap around boxes

Weight: 465 LBS
 Scale: 1:16
 Last updated: 10/10/2016