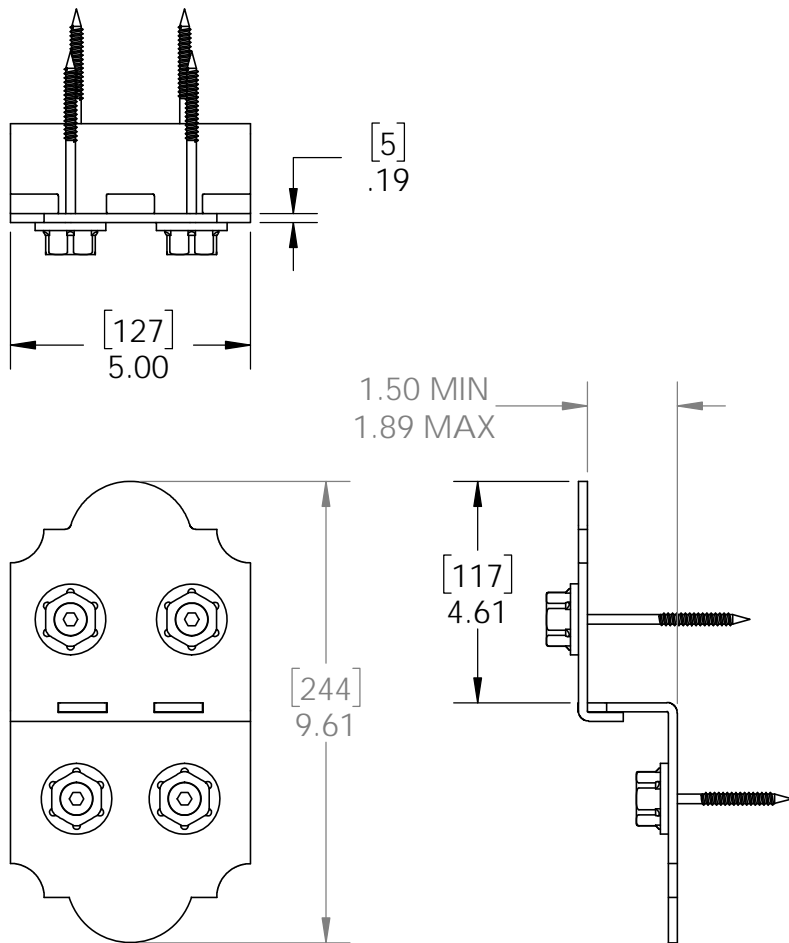


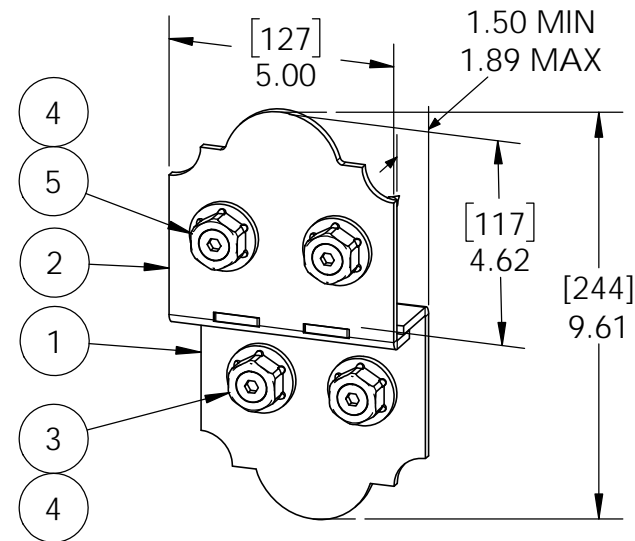
# Product & Packaging Specs

## 6" Post to Beam (P2B-LS-6)

Item #: 56635



ITEM NO.	QTY.	PART NUMBER	DESCRIPTION
1	1	56610-11	Ledge, Post to Beam
2	1	56635-11	Plate, Top 6" Post to Beam
3	0.08	56626	OWT Timber Screw 2-3/4"
4	0.4	56621	1 1/2" Hex Cap Nut (HCN)
5	0.08	56627	OWT Timber Screw 3-3/4"



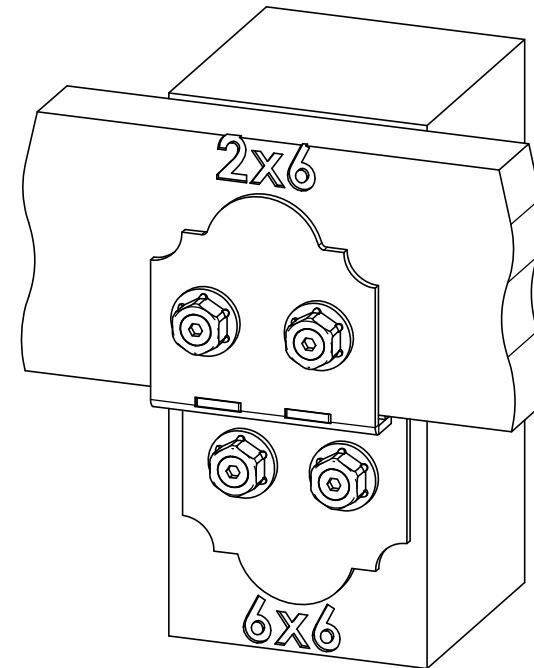
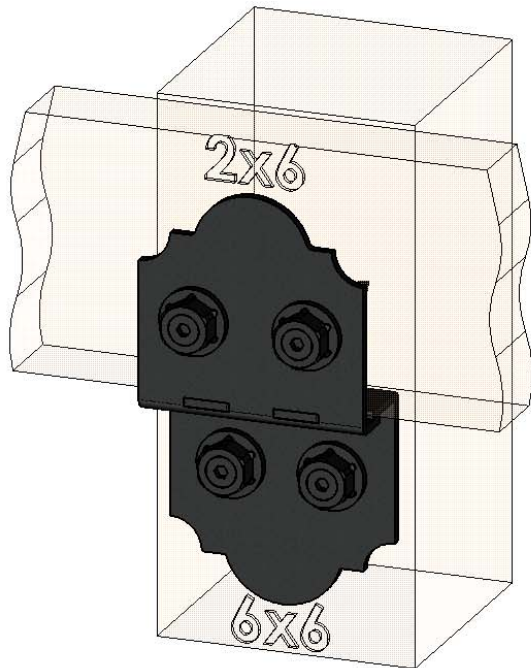
kit contains 2 assemblies

Weight: 3.03 LBS  
 Scale: 1:4  
 Last updated: 10/10/2016

# Product & Packaging Specs

## 6" Post to Beam (P2B-LS-6)

Item #: Typical Installation & Basic Assembly



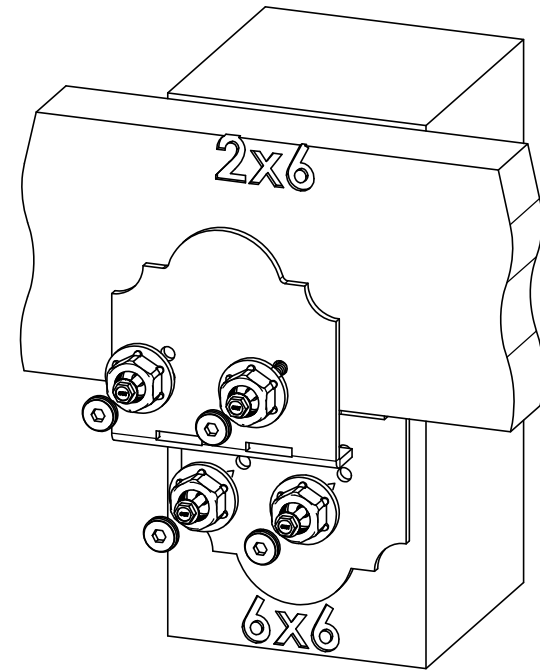
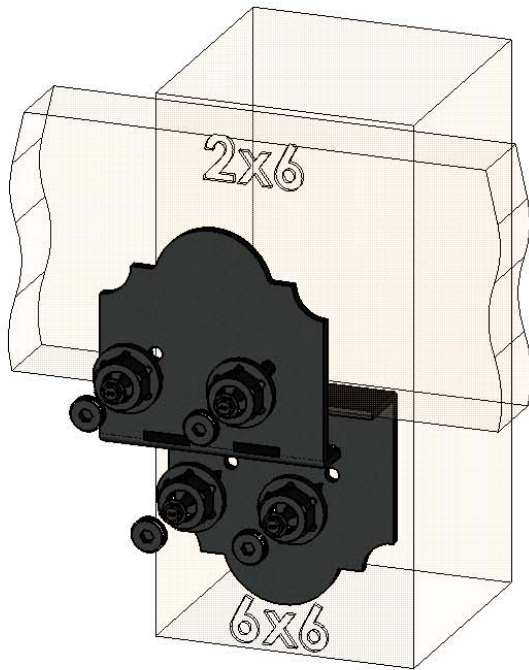
Weight: 21.25 LBS  
Scale: 1:4  
Last updated: 10/10/2016

56635-10

# Product & Packaging Specs

## 6" Post to Beam (P2B-LS-6)

Item #: Typical Installation & Basic Assembly



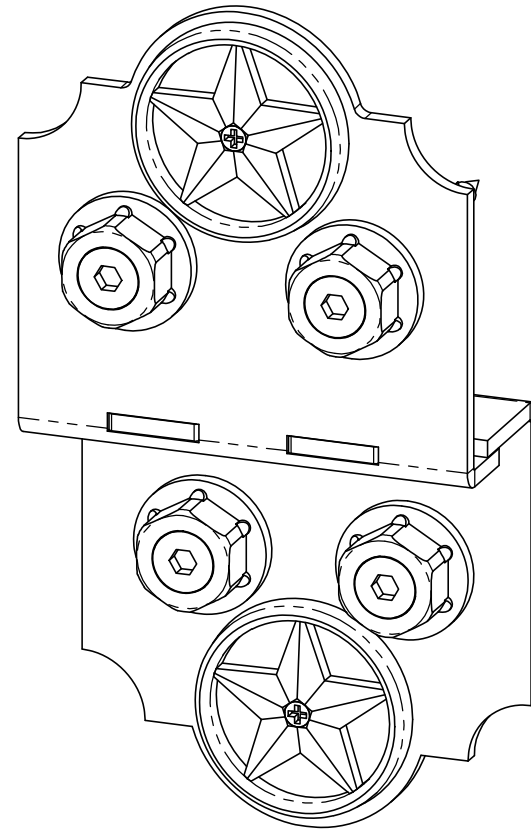
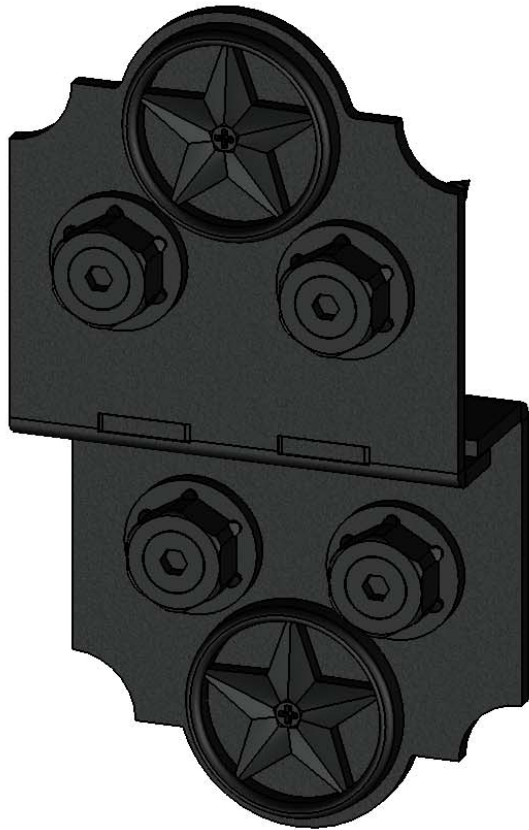
Weight: 21.25 LBS  
Scale: 1:4  
Last updated: 10/10/2016

56635-10

# Product & Packaging Specs

## 6" Post to Beam (P2B-LS-6)

Item #: 56635



Weight: 0.74 LBS  
Scale: 1:2  
Last updated: 10/10/2016

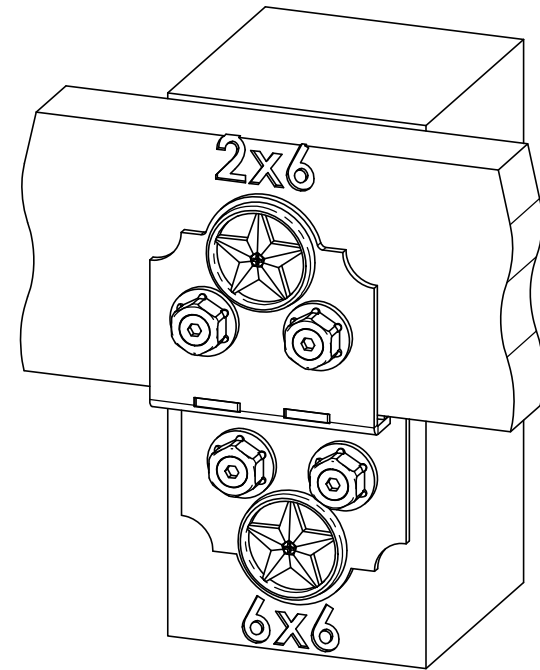
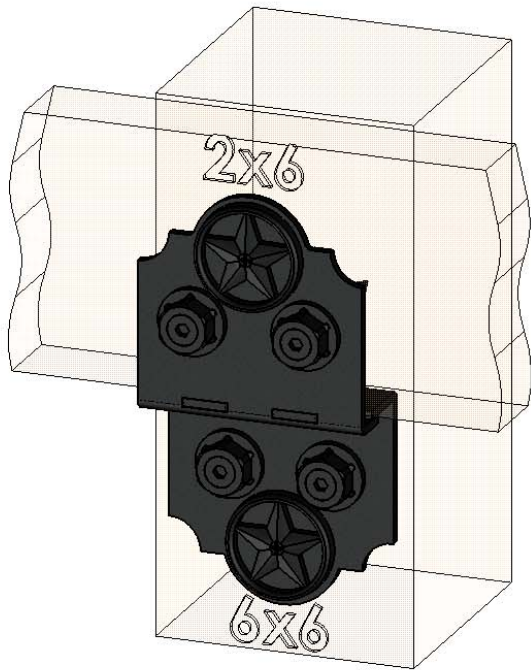
**STARS SOLD SEPARATELY**

56635-10

# Product & Packaging Specs

## 6" Post to Beam (P2B-LS-6)

Item #: Typical Installation & Basic Assembly



**STARS SOLD SEPARATELY**

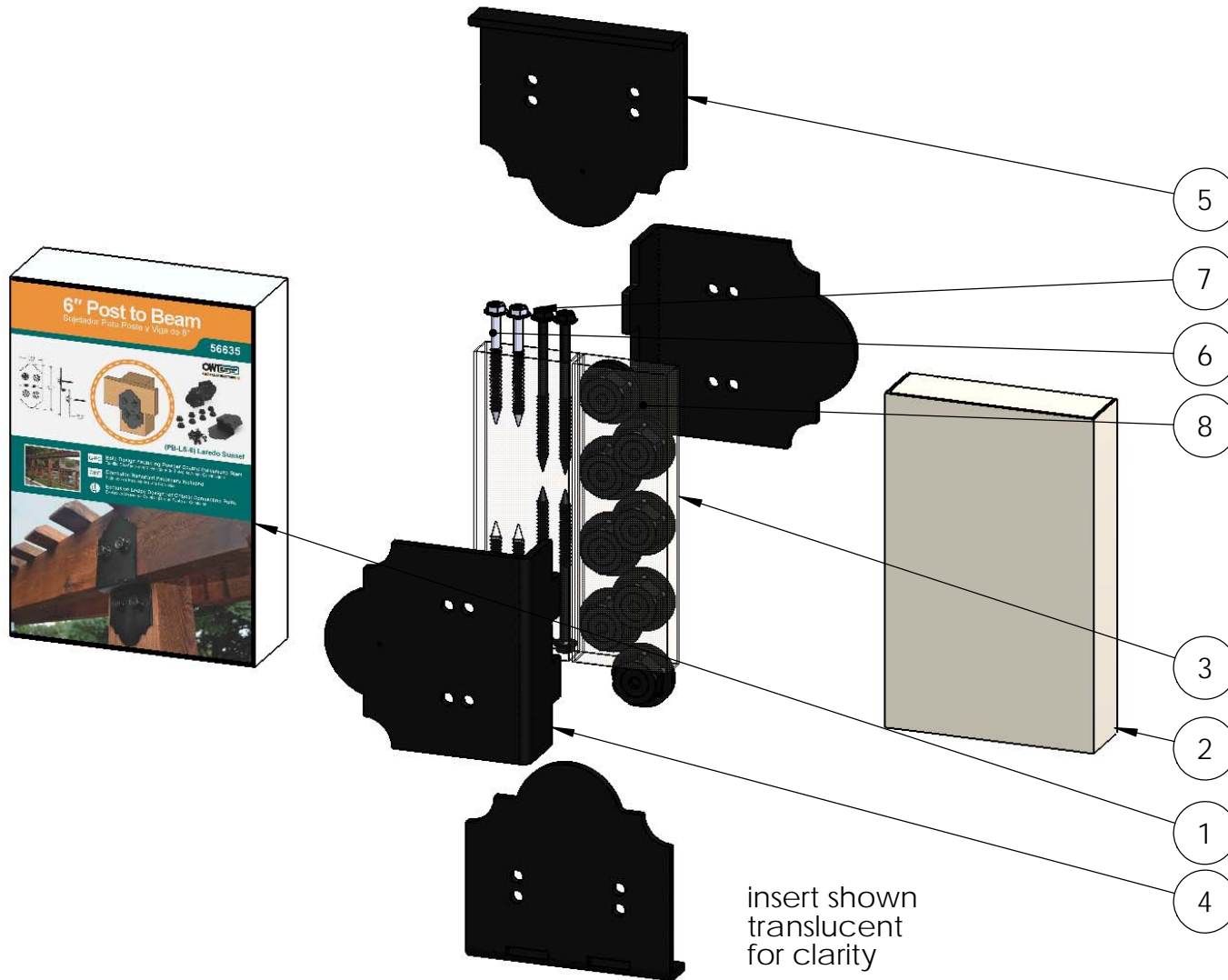
Weight: 21.38 LBS  
Scale: 1:4  
Last updated: 10/10/2016

**56635-10**

# Product & Packaging Specs

## 56635 Packing

Item #: Box packing



ITEM NO.	QTY.	PART NUMBER	DESCRIPTION
1	1	56635 Box	56635 Box
2	1	56637 Inner Box	56637 Inner Box
3	1	56637 Inner Box Sleeve	56637 Inner Box Sleeve
4	2	56610-11	Ledge, Post to Beam
5	2	56635-11	Plate, Top 6" Post to Beam
6	4	56626-10	OWT Timber Screw 2-3/4 (70mm)
7	4	56627-10	OWT Timber Screw 3-3/4 (95mm)
8	0.8	56621	1 1/2" Hex Cap Nut (HCN)

insert shown translucent for clarity

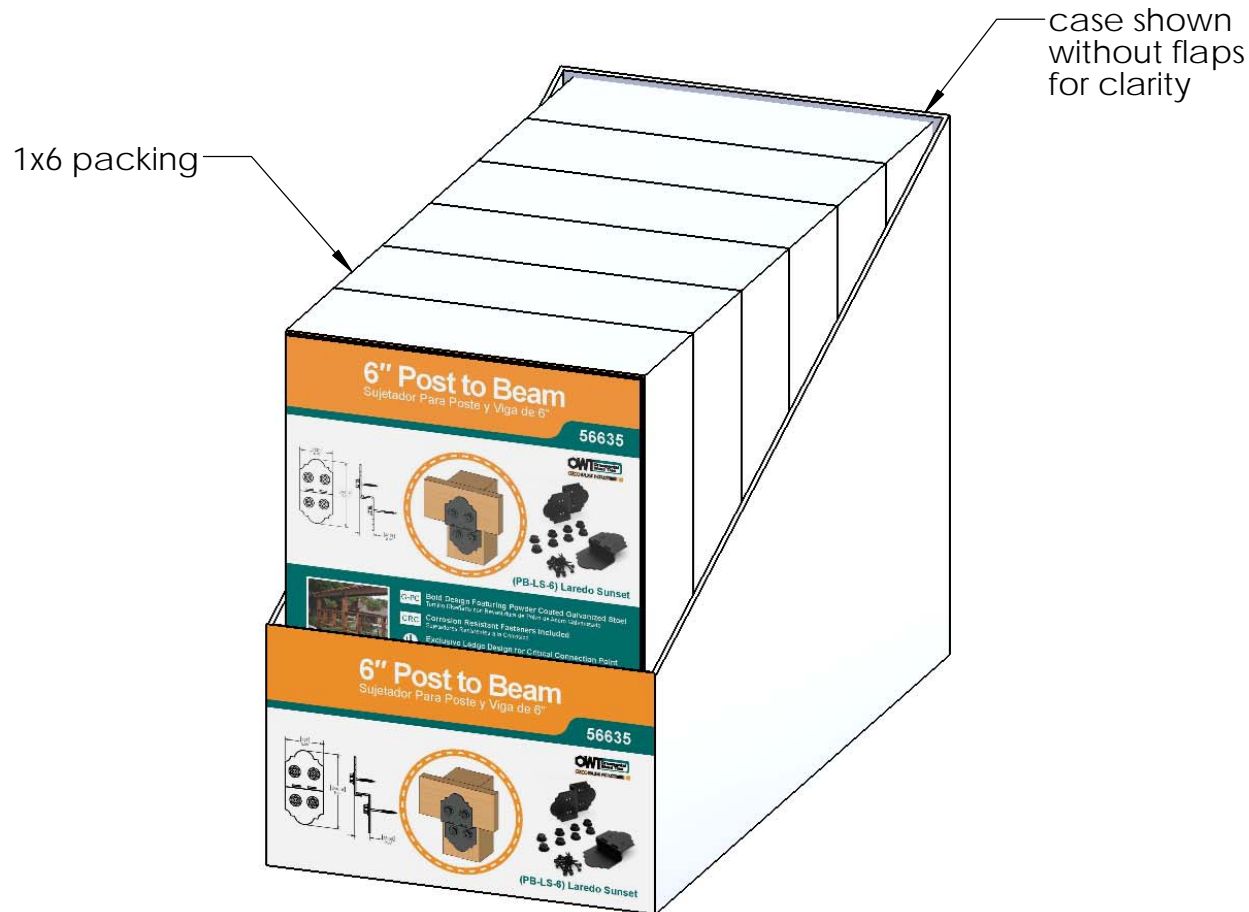
Weight: 6.03 LBS  
 Scale: 1:4  
 Last updated: 10/10/2016

56635-10

# Product & Packaging Specs

56635 Packing

Item #: Case packing



Weight: 6.07 LBS  
Scale: 1:3  
Last updated: 10/10/2016

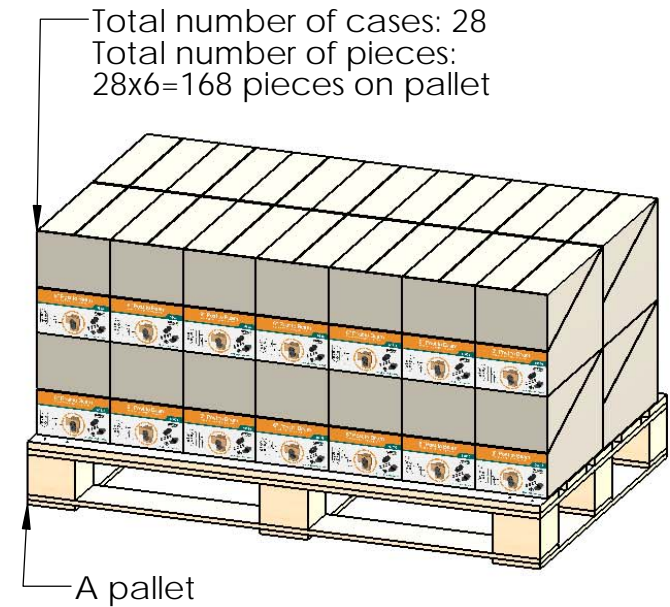
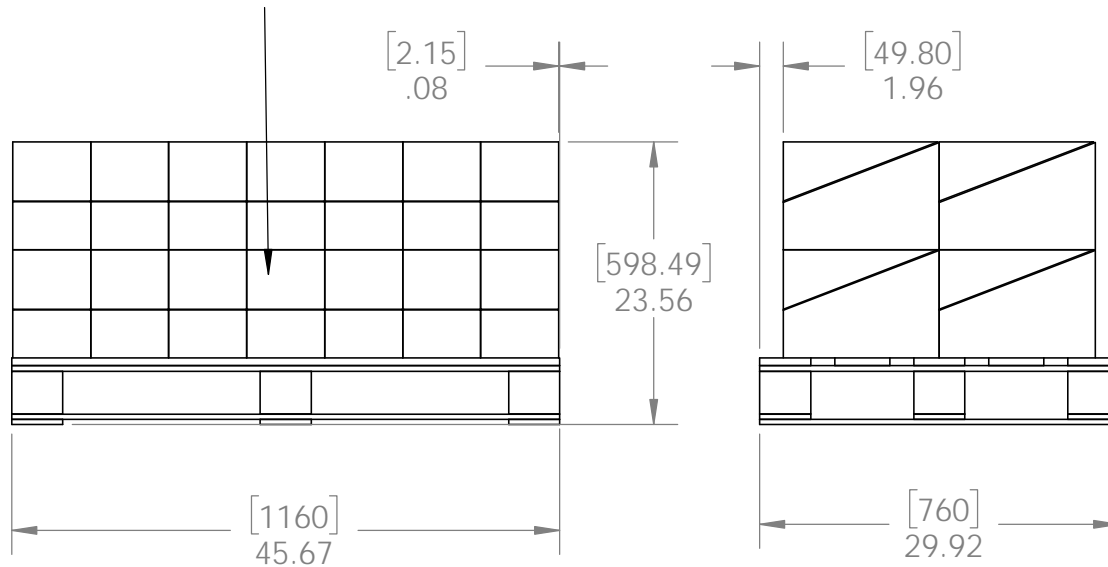
56635-10

Item #: **56635** | **P2B-LS-6**  
 6" Post to Beam LS

**PALLET** **168 pcs**  
 SKU#: **56835**

Weight: **1187 lbs**

LOT# \_\_\_\_\_ Priority# \_\_\_\_\_



additional pallet packing instructions

- plywood on top layer
- strap to pallet
- clear wrap around boxes

Weight: 1187 LBS  
 Scale: 1:16  
 Last updated: 10/10/2016