



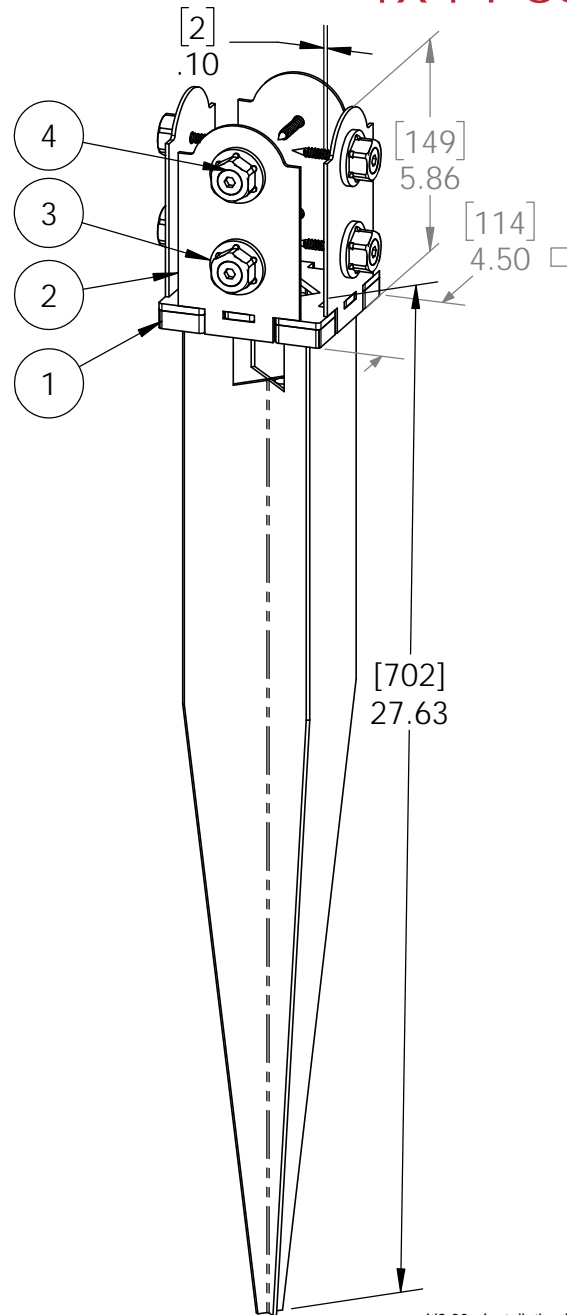
instant post holes

OZCO BUILDING PRODUCTS

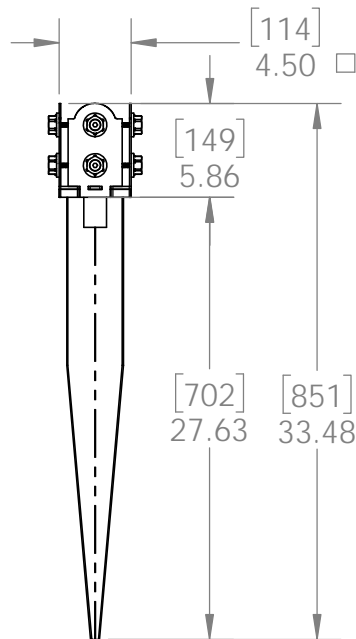
Product & Packaging Specs

4x4 Post Anchor Kit (4x4-OPAK-LS)

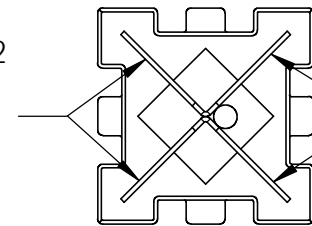
Item #: 56632



ITEM NO.	QTY.	PART NUMBER	DESCRIPTION
1	1	56632-11	4x4 Post Base for Post Anchor-LS
2	4	56607-15	Plate, 4x4 Side Compression
3	0.8	56621	1 1/2" Hex Cap Nut (HCN)
4	0.32	56625	OWT Timber Screw 1-3/4"



center items 1 & 2
weld 2 places



center items 1 & 2
weld 2 places

bottom view

Weight: 9.05 LBS
Scale: 1:5
Last updated: 10/14/2016

56632-10



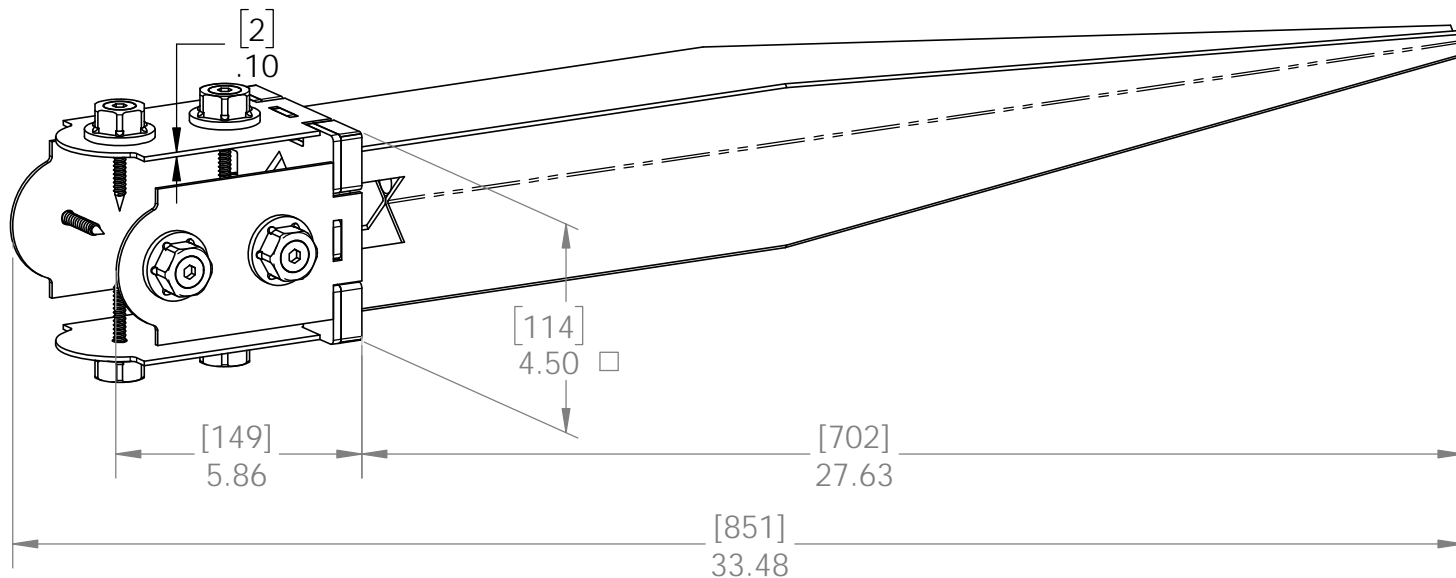
instant post holes

OZCO BUILDING PRODUCTS ■■■

Product & Packaging Specs

4x4 Post Anchor Kit (4x4-OPAK-LS)

Item #: 56632



Weight: 9.05 LBS

Scale: 1:4

Last updated: 10/14/2016

56632-10



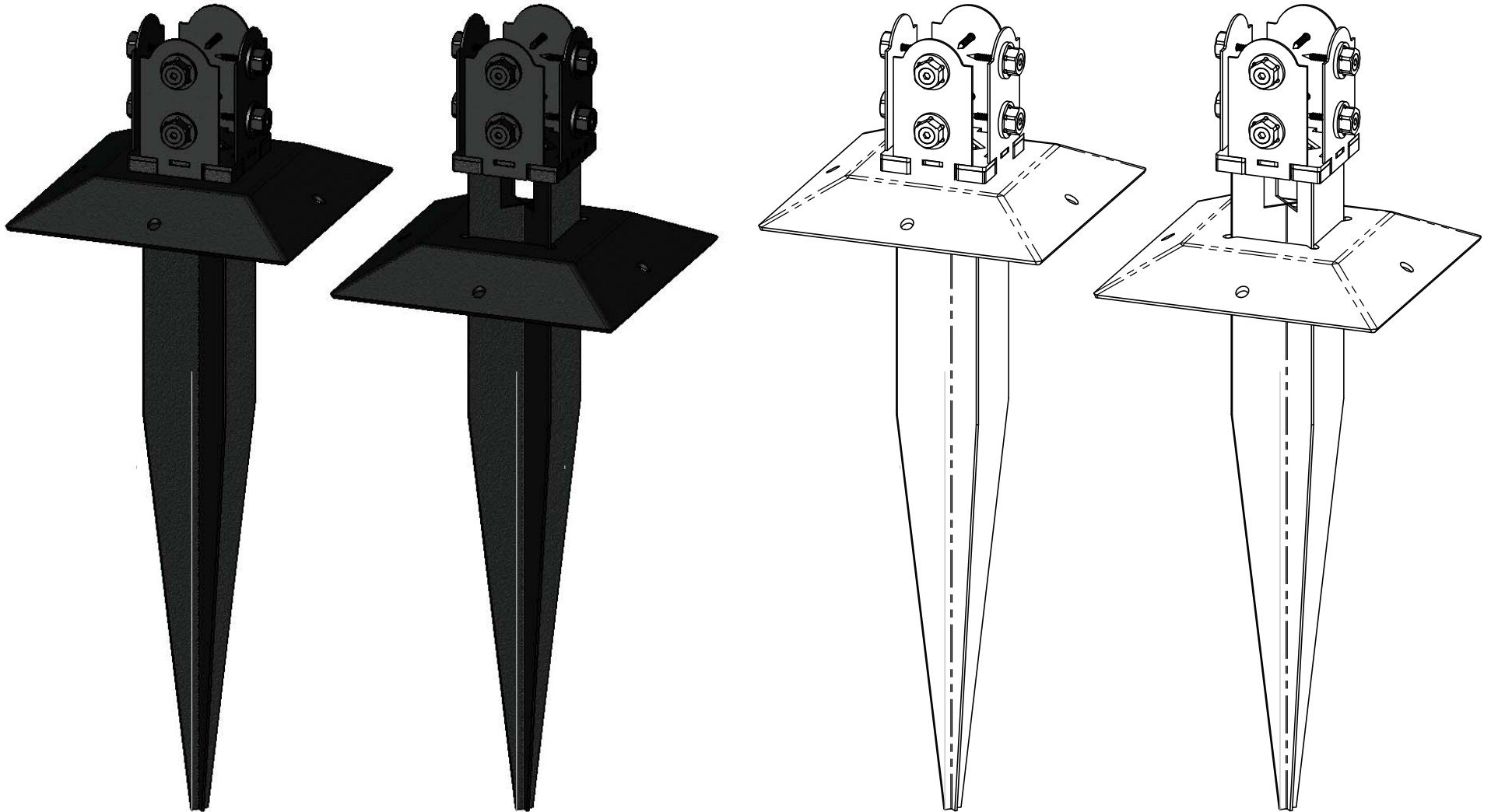
instant post holes

OZCO BUILDING PRODUCTS ■■■

Product & Packaging Specs

4x4 Post Anchor Kit (4x4-OPAK-LS)

Item #: 56632 with 50880



Weight: 9.05 LBS
Scale: 1:6
Last updated: 10/14/2016

for best appearance, suggest painting 50880 with spray can automotive truck bedliner

56632-10



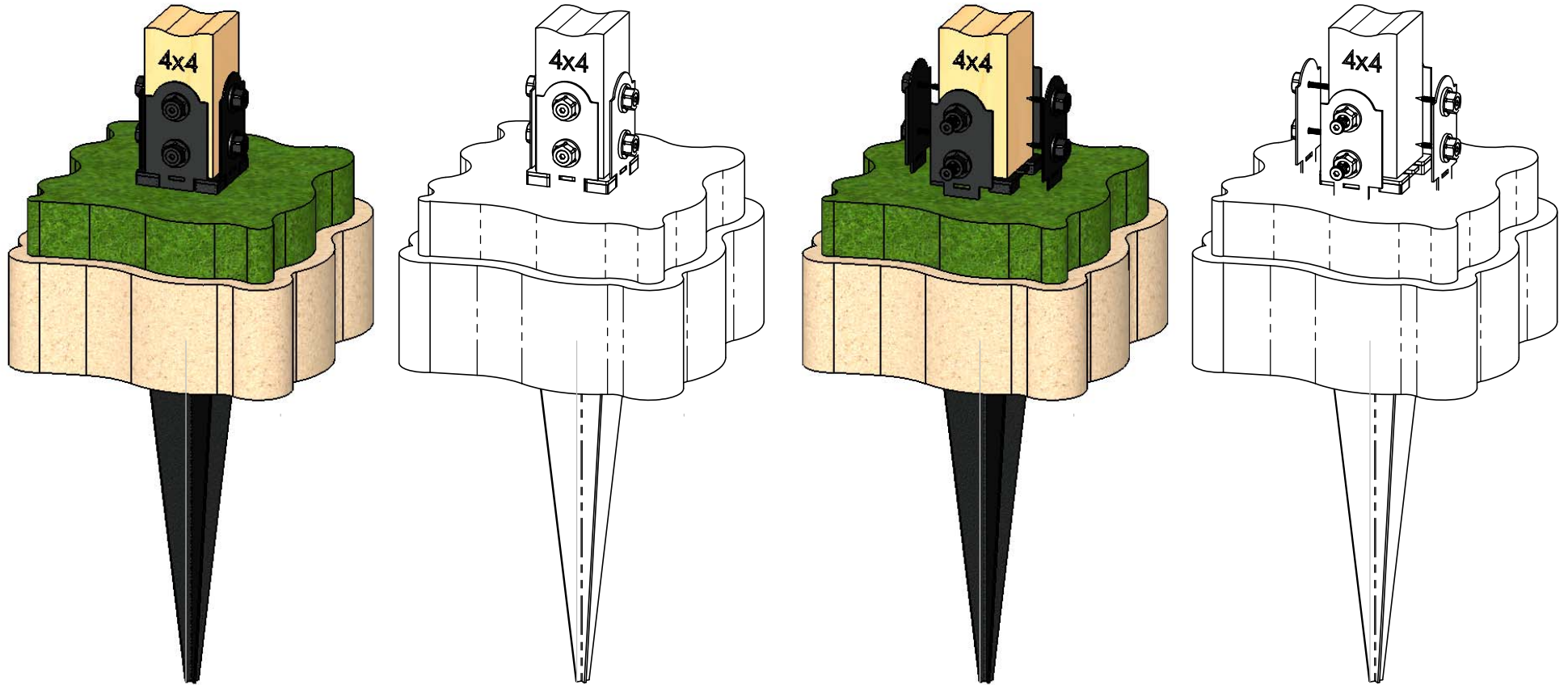
instant post holes

OZCO BUILDING PRODUCTS ■■■

Product & Packaging Specs

4x4 Post Anchor Kit (4x4-OPAK-LS)

Item #: Typical Installation & Basic Assembly



Weight: 9.05 LBS
Scale: 1:8
Last updated: 10/14/2016

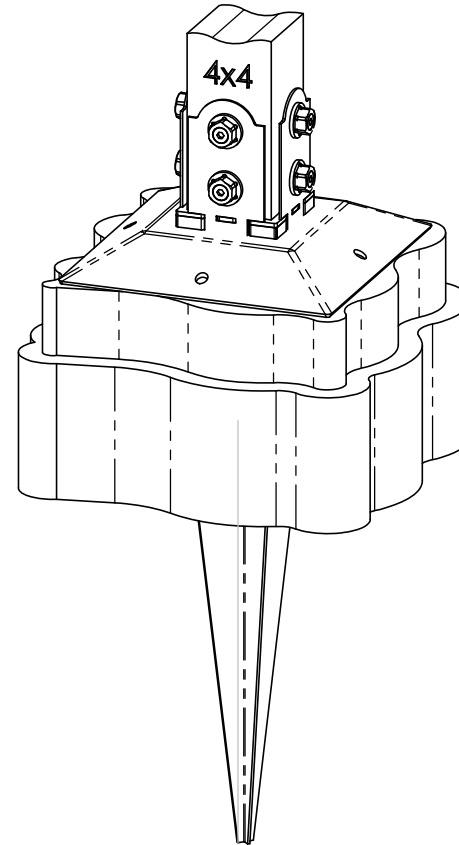
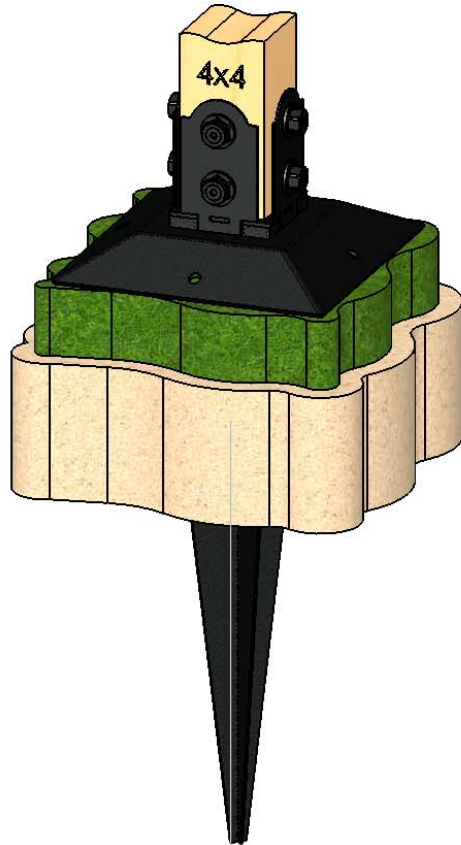
56632-10



Product & Packaging Specs

4x4 Post Anchor Kit (4x4-OPAK-LS)

Item #: Typical Installation with 50880 & earth



Weight: 9.05 LBS
Scale: 1:8
Last updated: 10/14/2016

for best appearance, suggest painting 50880 with spray can automotive truck bedliner

56632-10



instant post holes

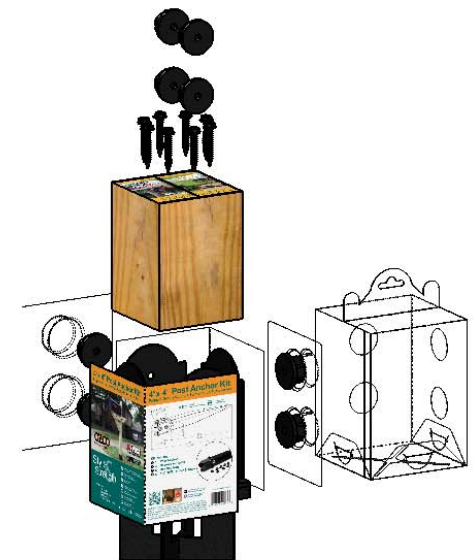
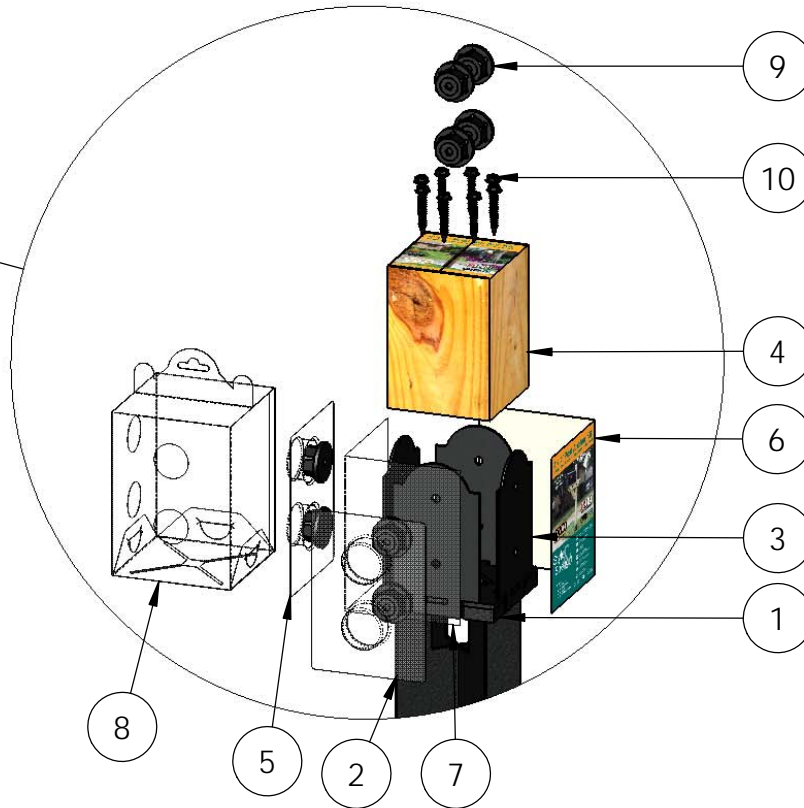
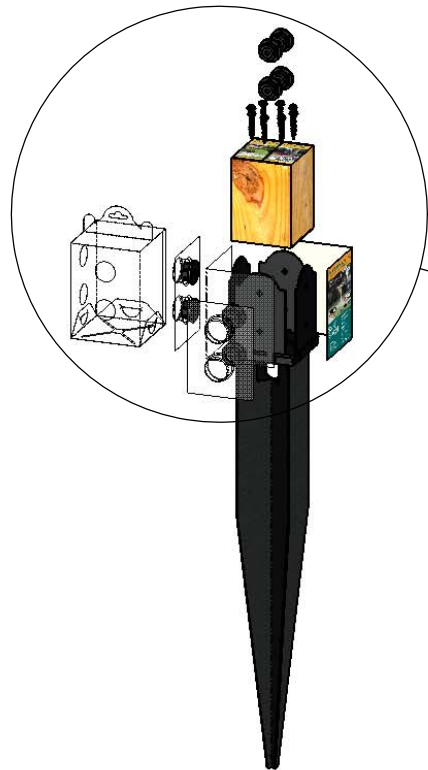
OZCO BUILDING PRODUCTS

Product & Packaging Specs

4x4 Post Anchor Kit (4x4-OPAK-LS)

Item #: 56632

ITEM NO.	QTY.	PART NUMBER	DESCRIPTION
1	1	56632-11	4x4 Post Base for Post Anchor-LS
2	1	56632-15	Assembly, Base Anchor
3	4	56607-15	Plate, 4x4 Side Compression
4	1	Box, 4x4 Post Anchor Interior	Box, 4x4 Post Anchor Interior
5	2	Insert, 4x4 Post Anchor Packing	Insert, Packing
6	1	Sleeve, 4x4 Post Anchor	Sleeve, 4x4 Post Anchor Box
7	1	Sleeve, 4x4 Post Anchor, Clear	Sleeve, 4x4 Post Anchor Box, Clear
8	1	56632 Box	Box, 56632
9	0.8	56621	1 1/2" Hex Cap Nut (HCN)
10	0.32	56625	OWT Timber Screw 1-3/4"



backside view

Weight: 9.05 LBS
 Scale: 1:12
 Last updated: 10/14/2016

56632-10

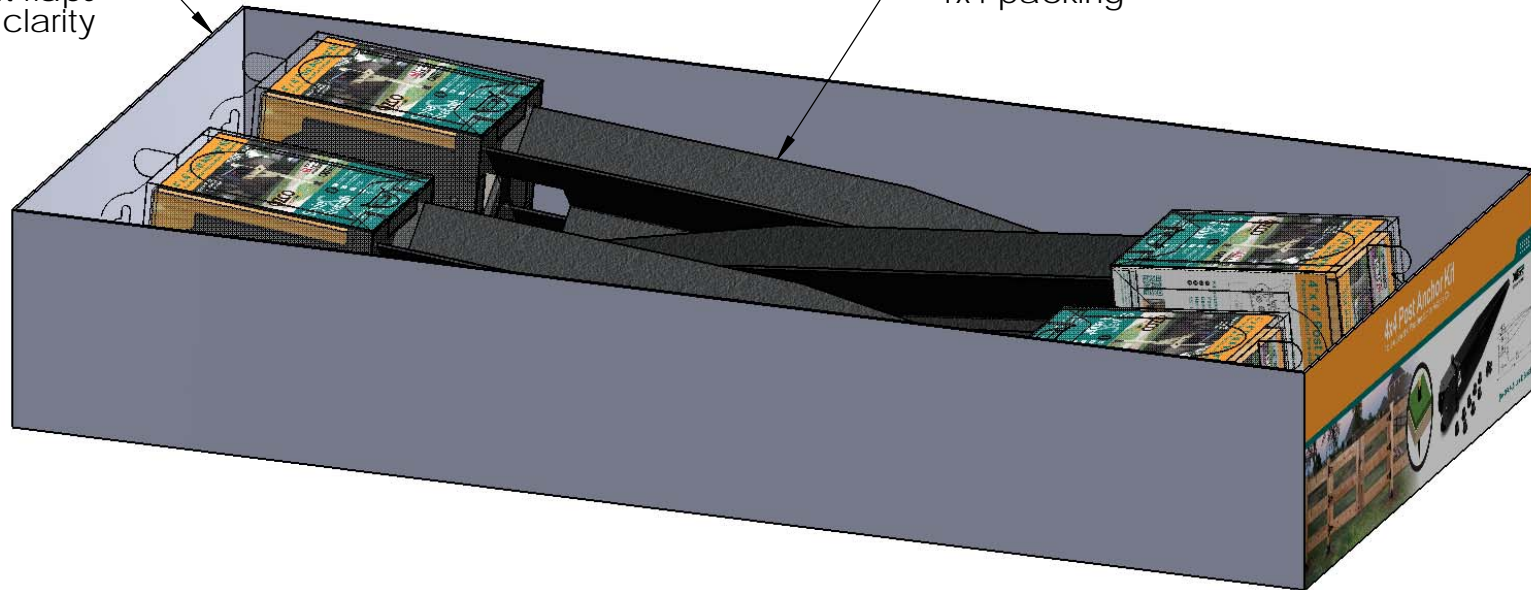


Product & Packaging Specs

56632 Packing
Item #: 56732

case shown
without flaps
for clarity

1x4 packing



Weight: 39.55 LBS
Scale: 1:5
Last updated: 10/14/2016

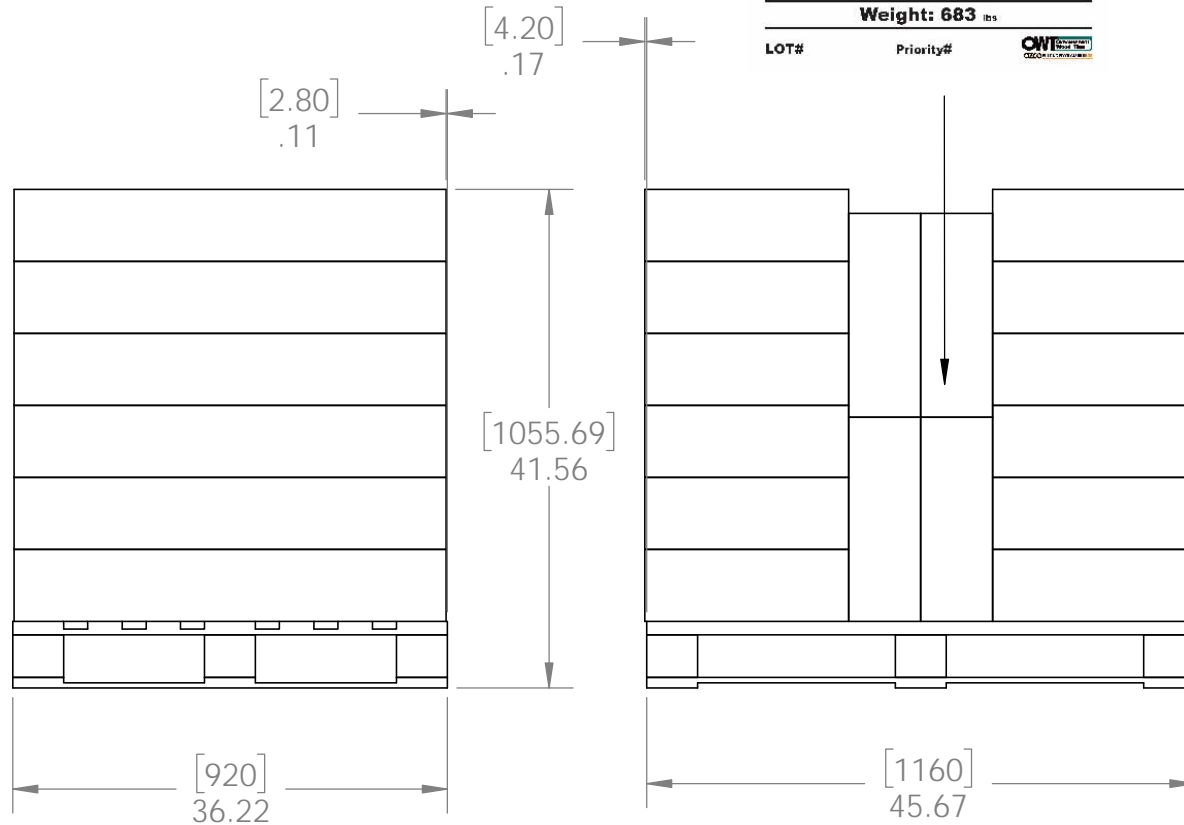
56632-10



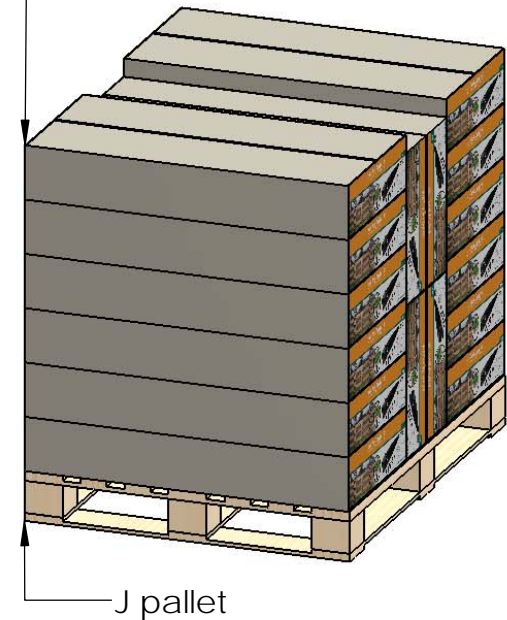
Product & Packaging Specs

56632 Packing
Item #: 56832

Item #: **56632** | **4x4-OPAK-LS**
4x4 Ornamental Post Anchor LS
PALLET | **64 pcs**
 SKU#: **56832** 
 Weight: **683 lbs**
 LOT# Priority# 



Total number of cases: 16
 Total number of pieces:
 16x4=64 pieces on pallet



Weight: 683 LBS
 Scale: 1:16
 Last updated: 10/14/2016

56632-10

additional pallet packing instructions

- plywood on top layer
- strap to pallet
- clear wrap around boxes