

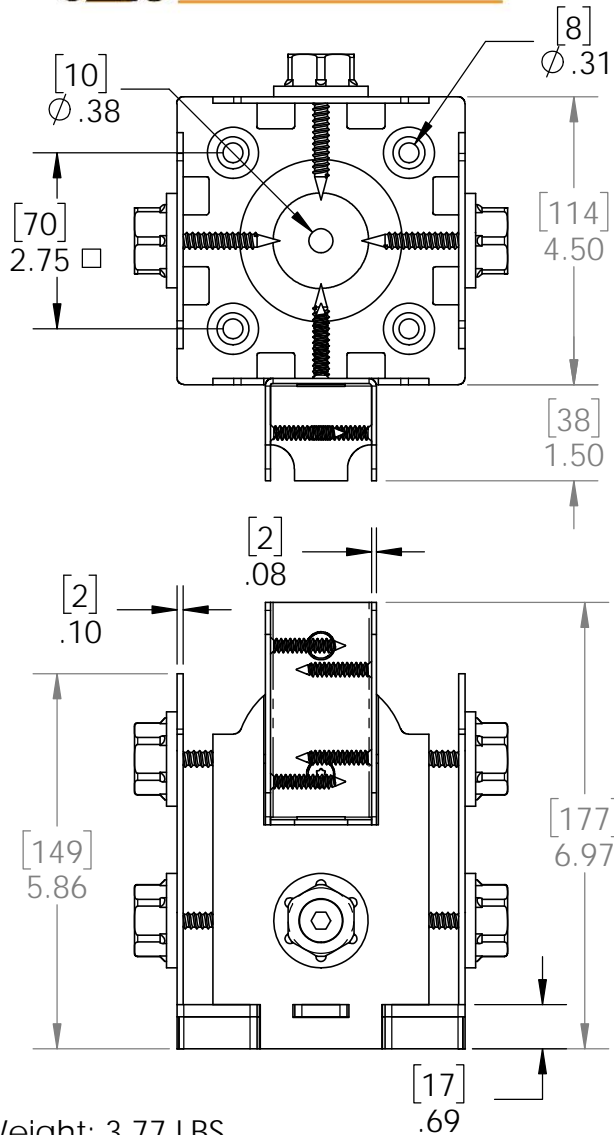


OZCO BUILDING PRODUCTS

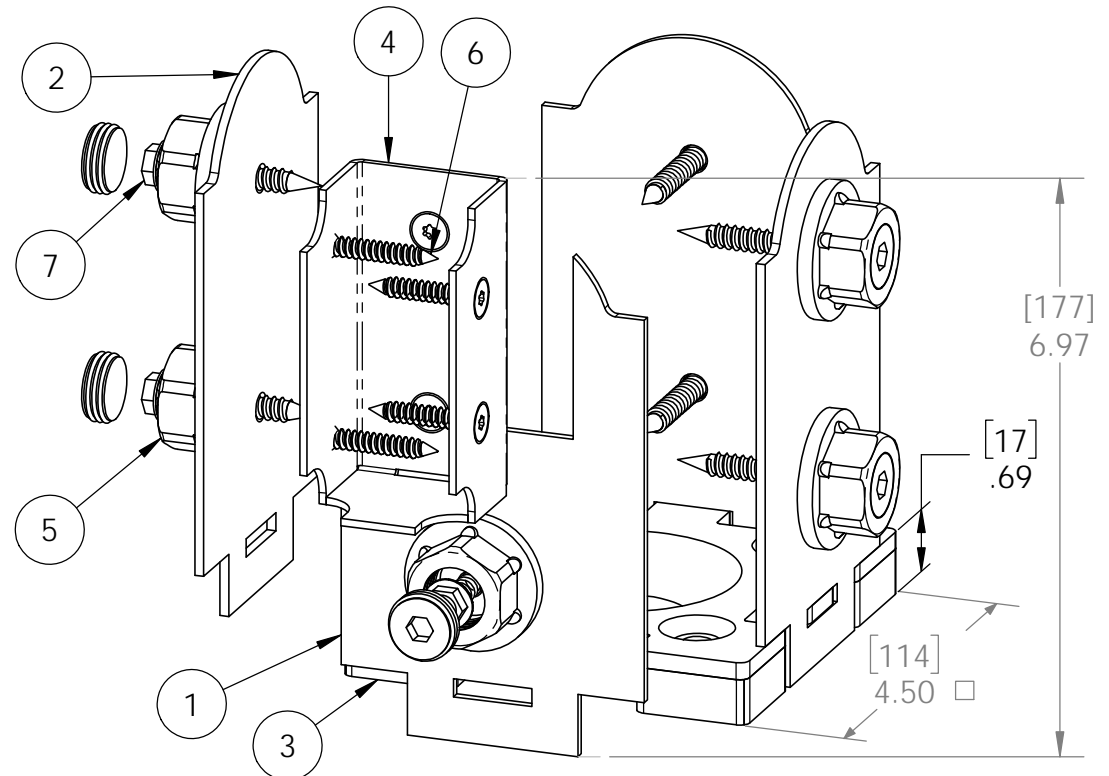
Product & Packaging Specs

4x4 Post Base with Rail Saddle (4X4-TRS-LS)

Item #: 56631



ITEM NO.	QTY.	PART NUMBER	DESCRIPTION
1	1	56630-11	Plate, 4x4 Rail Saddle
2	3	56607-15	Plate, 4x4 Side Compression
3	1	56607-11	Assembly, 4x4 Stand Off
4	1	56641-12	Bracket, 2x4 Top Rail Saddle
5	0.7	56621	1 1/2" Hex Cap Nut (HCN)
6	6	80016	Screw, #12x1.25 T25
7	0.28	56625	OWT Timber Screw 1-3/4"



Weight: 3.77 LBS
 Scale: 1:2
 Last updated: 10/10/2016

56631-10

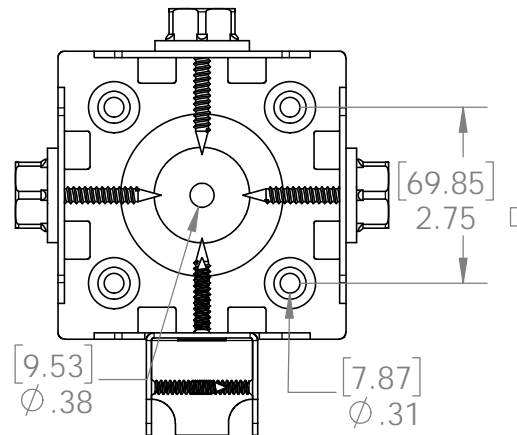
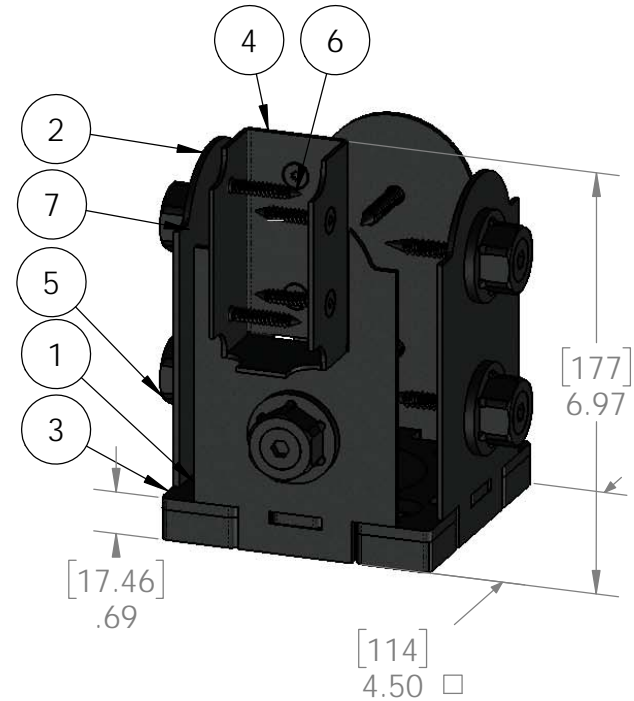
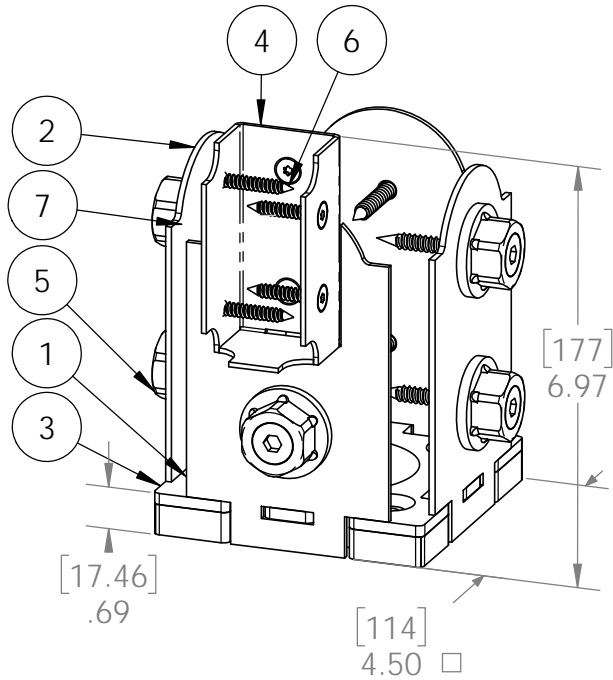


OZCO BUILDING PRODUCTS

Product & Packaging Specs

4x4 Post Base with Rail Saddle (4X4-TRS-LS)

Item #: 56631



Weight: 3.77 LBS
Scale: 1:3
Last updated: 10/10/2016

56631-10

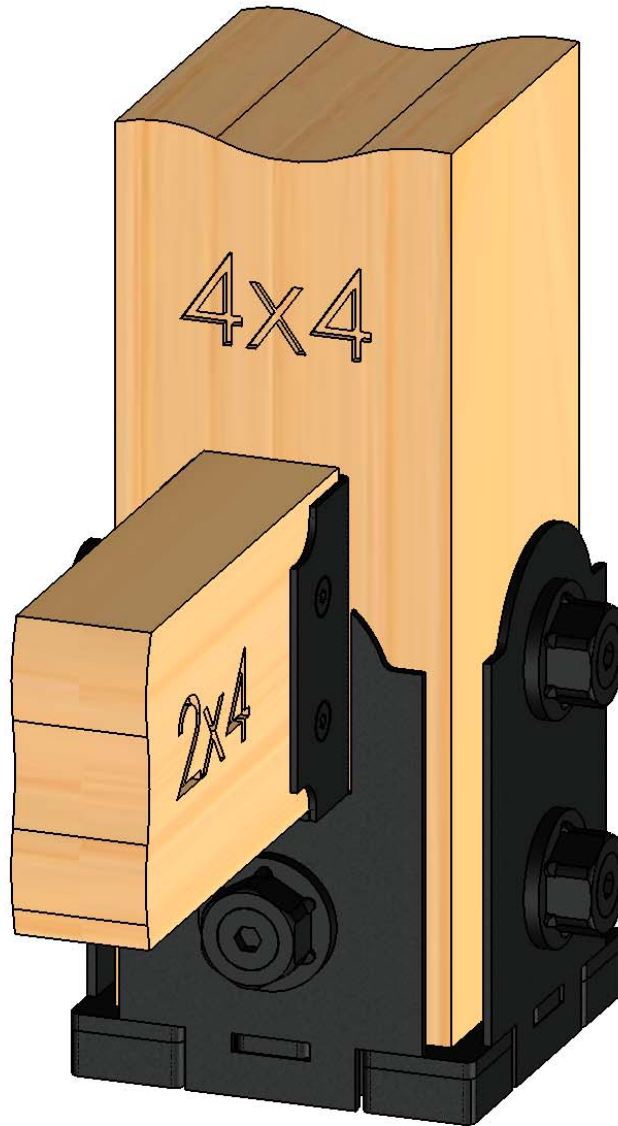


OZCO BUILDING PRODUCTS

Product & Packaging Specs

Typical Installation

Item #: 56631



Weight: 9.78 LBS
Scale: 1:2
Last updated: 10/10/2016

56631-10

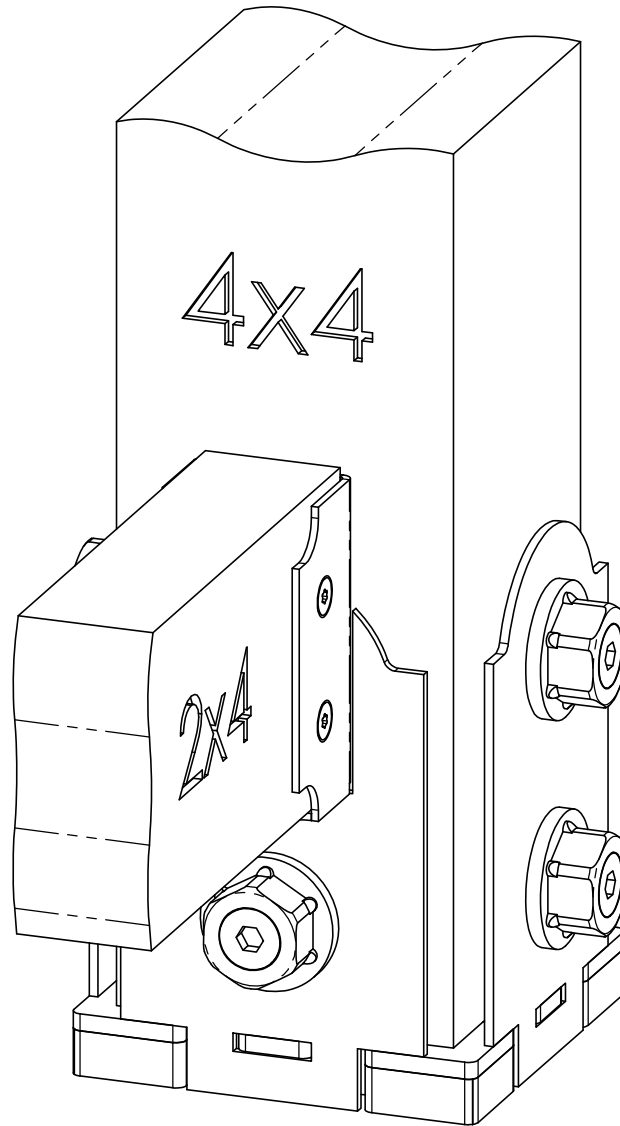


OZCO BUILDING PRODUCTS ■■■

Product & Packaging Specs

Typical Installation

Item #: 56631



Weight: 9.78 LBS
Scale: 1:2
Last updated: 10/10/2016

56631-10



small screws shall be packed in small bag and placed here

ITEM NO.	QTY.	PART NUMBER	DESCRIPTION
1	1	Insert, Rail Saddle	Insert, Rail Saddle
2	1	Insert, Rail Saddle	Insert, Rail Saddle
3	1	Box, 56631	Box, 56630

Weight: 4.52 LBS
 Scale: 1:4
 Last updated: 10/10/2016

Product & Packaging Specs

56631 Packing

Item #: Case packing



Weight: 19.20 LBS
 Scale: 1:3
 Last updated: 10/10/2016

56631-10



OZCO BUILDING PRODUCTS

Product & Packaging Specs

56631 Packing

Item #: Pallet packing

Item #: **56631** | **4x4-SRS-LS**

4x4 Post Base Plus (2) 2x4 Saddles

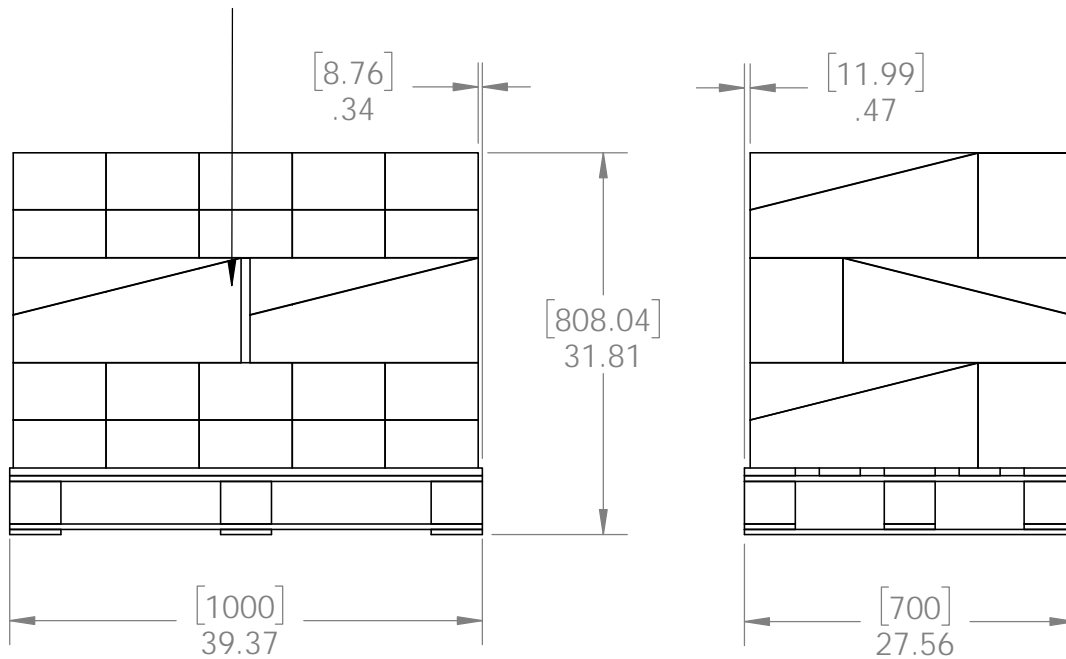
PALLET | **84 pcs**

SKU#: **56831**

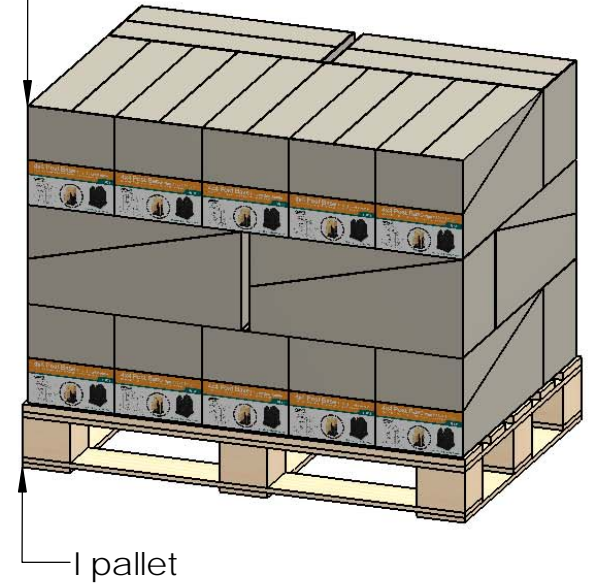


Weight: 429 lbs

LOT# _____ Priority# _____



Total number of cases: 21
Total number of pieces:
21x4=84 pieces on pallet



additional pallet packing instructions

- plywood on top layer
- strap to pallet
- clear wrap around boxes

Weight: 429 LBS
Scale: 1:16
Last updated: 10/10/2016

56631-10