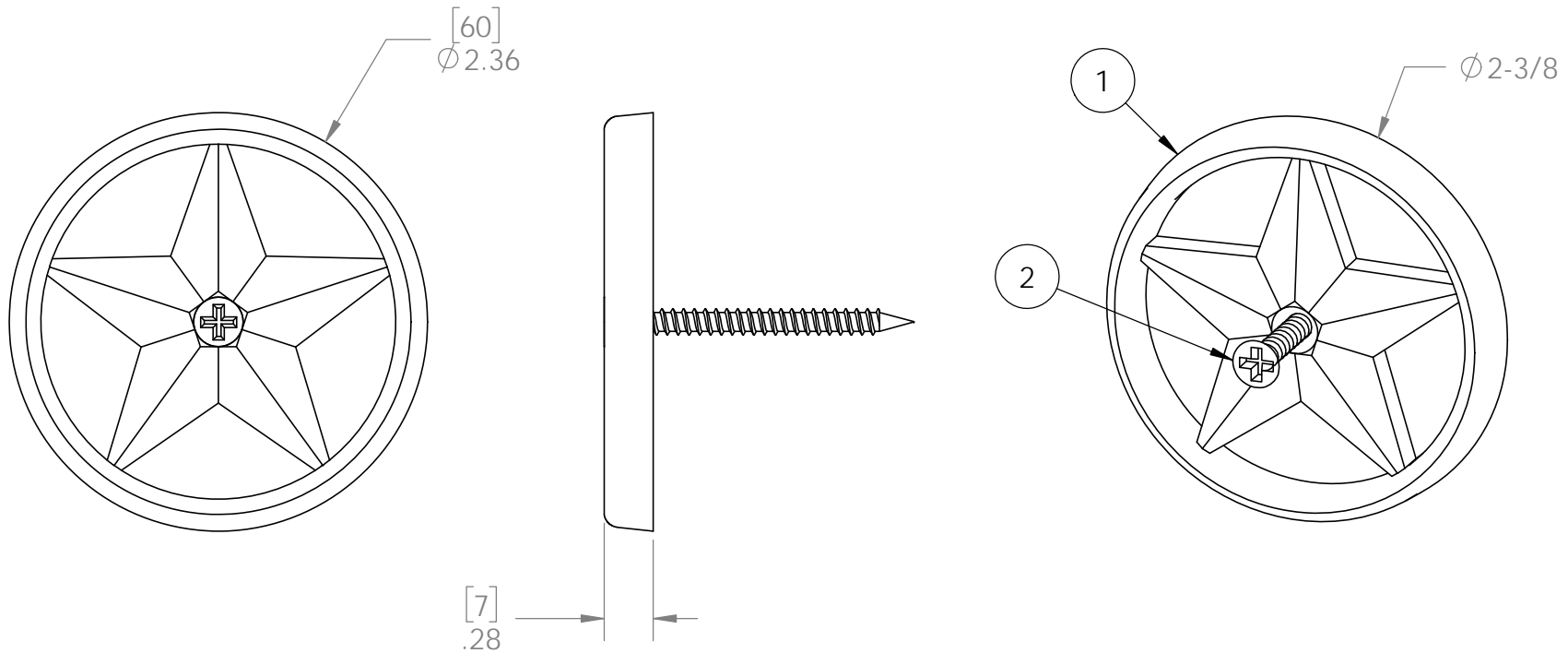


Product & Packaging Specs

2-3/8" OD Star (STAR2.375)

Item #: 56623

ITEM NO.	QTY.	PART NUMBER	DESCRIPTION
1	1	56623-11	Star 2-3/8" OD
2	1	80005	Screw, #6 x 1-3/4 FHP, Black

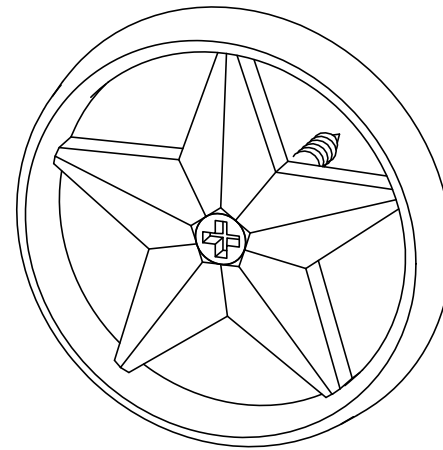


Weight: 0.06 LBS
 Scale: 1:1
 Last updated: 10/10/2016

56623-10

Product & Packaging Specs

2-3/8" OD Star (STAR2.375)
Item #: 56623



Weight: 0.06 LBS
Scale: 1:1
Last updated: 10/10/2016

56623-10

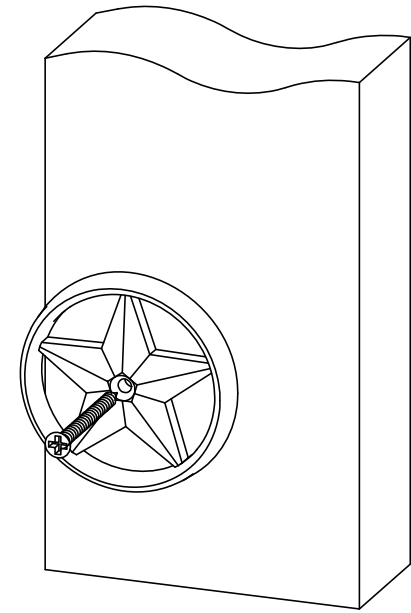
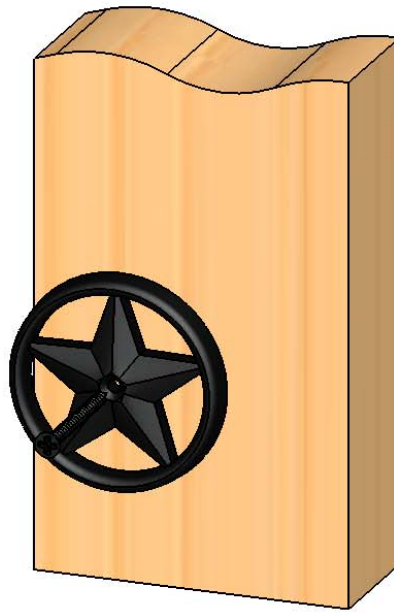
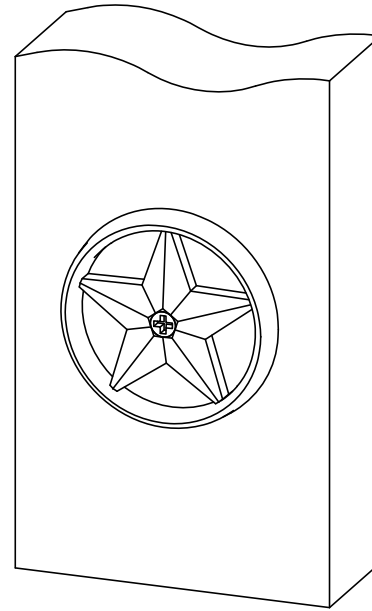
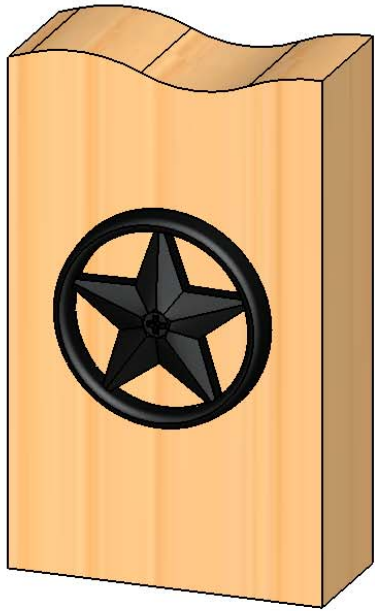


OZCO BUILDING PRODUCTS

Product & Packaging Specs

2-3/8" OD Star (STAR2.375)

Item #: 56623



Weight: 0.06 LBS
Scale: 1:2
Last updated: 10/10/2016

56623-10



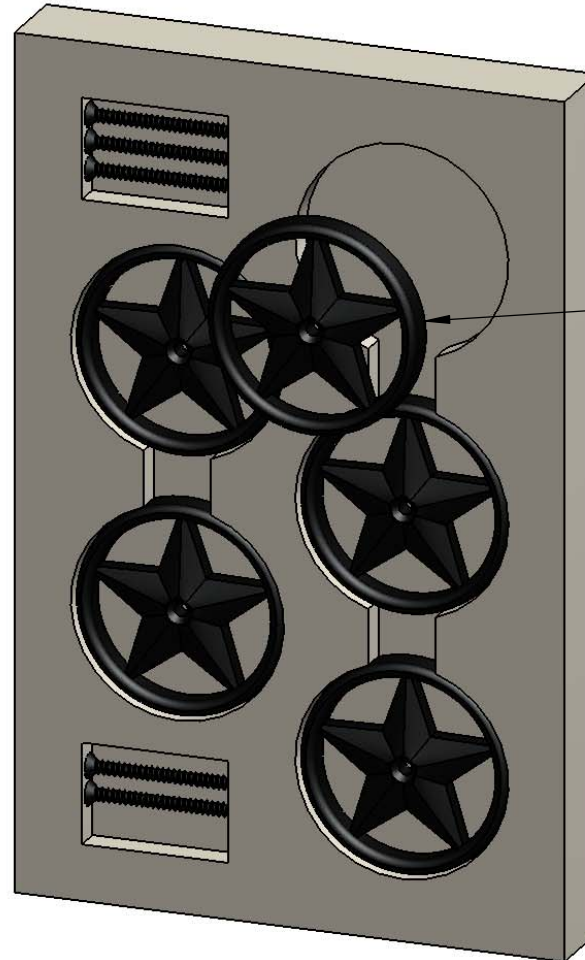
OZCO BUILDING PRODUCTS

Product & Packaging Specs

56623 Packing

Item #: Box packing

ITEM NO.	QTY.	PART NUMBER	DESCRIPTION
1	1	56623 Star Box	Box, 2-3/8" Star
2	1	56623 Star Box Insert	Insert, 2-3/8" Star Box
3	5	56623-11	Star 2-3/8" OD



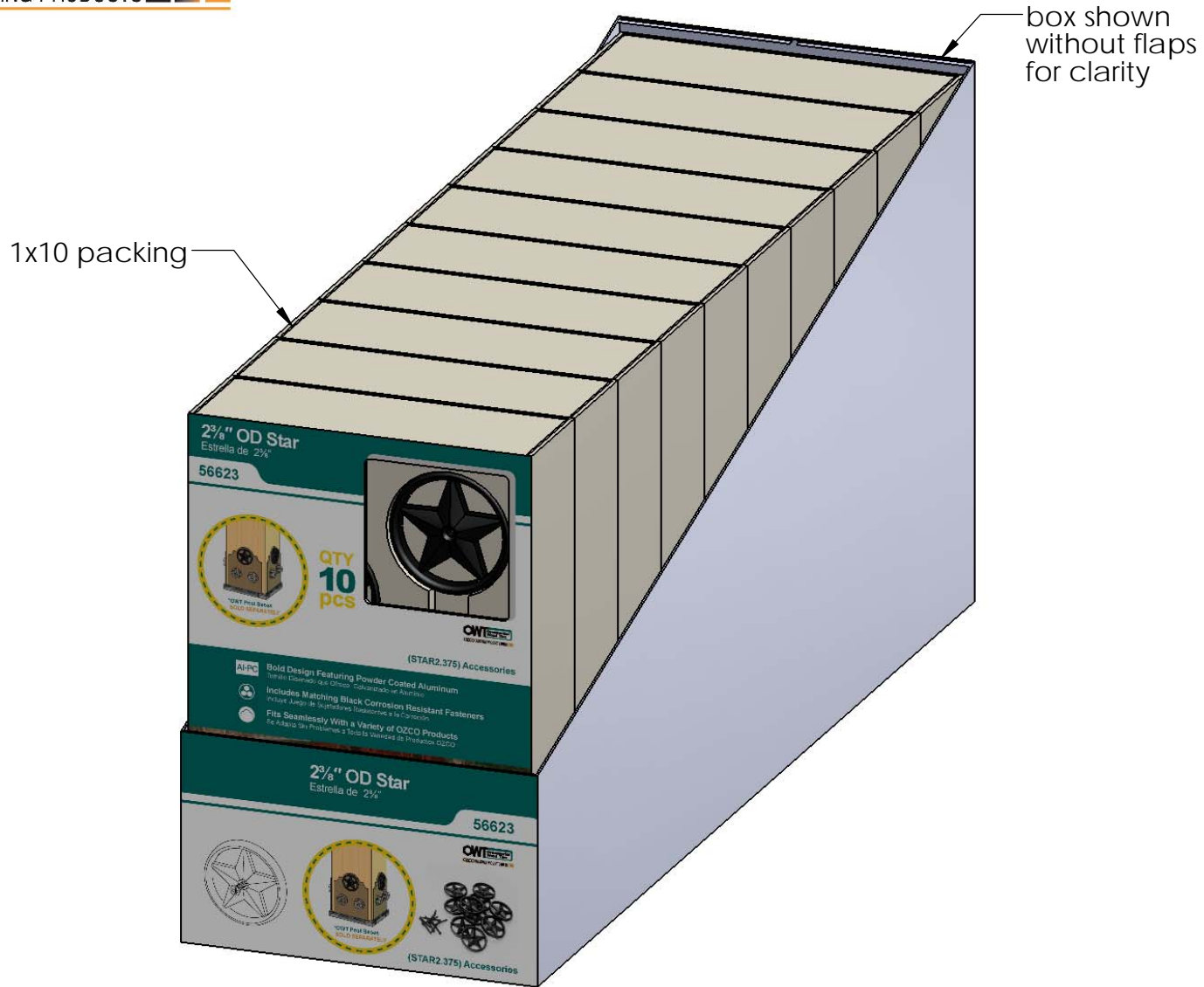
Weight: 0.68 LBS
 Scale: 1:2
 Last updated: 10/10/2016

56623-10

Product & Packaging Specs

56623 Packing

Item #: Case packing



box shown without flaps for clarity

1x10 packing

Weight: 7.5 LBS
 Scale: 1:3
 Last updated: 10/10/2016

56623-10

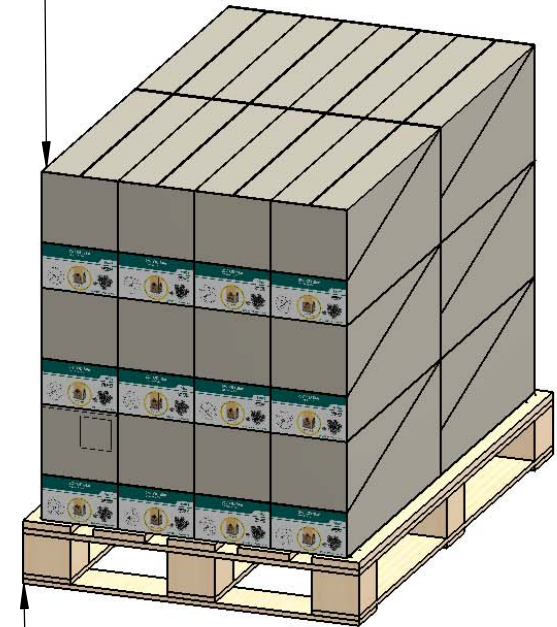
Product & Packaging Specs

56623 Packing

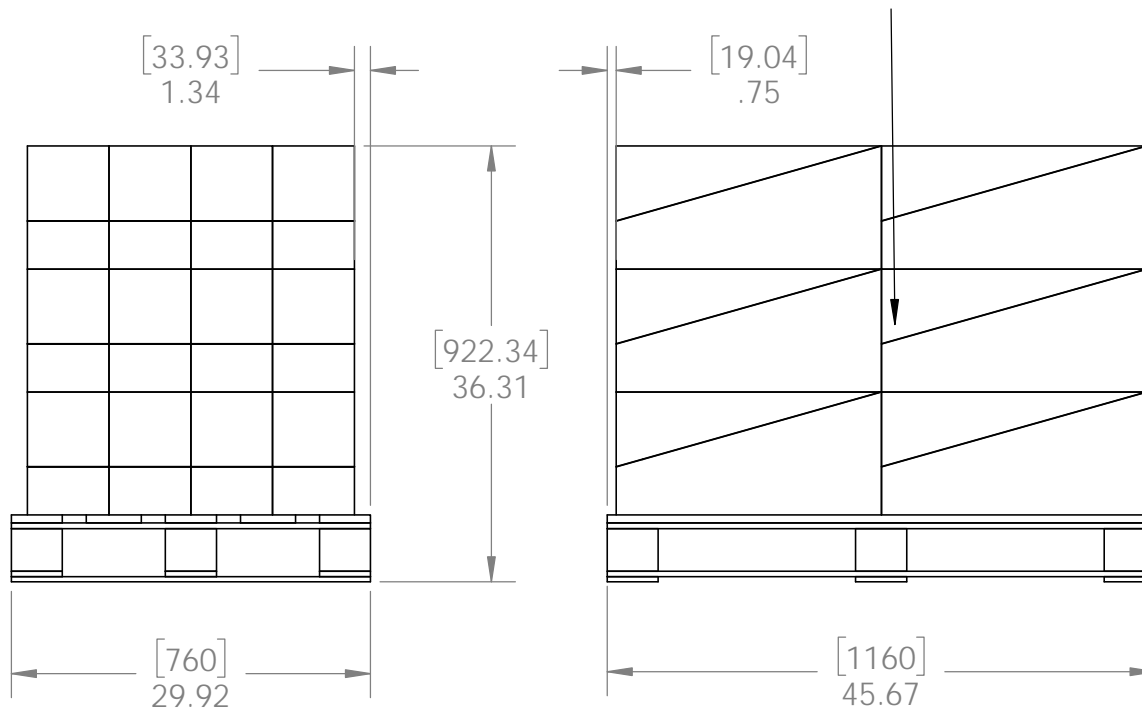
Item #: Pallet packing

Item #: **56623** | **STAR2.375**
 2 3/8" OD Star
PALLET **240 pcs**
 SKU#: **56823**
 Weight: **273 lbs**
 LOT# Priority# 

Total number of cases: 24
 Total number of pieces:
 24x10=240 pieces on pallet



A pallet



Weight: 273 LBS
 Scale: 1:16
 Last updated: 10/10/2016

56623-10

additional pallet packing instructions

- plywood on top layer
- strap to pallet
- clear wrap around boxes