

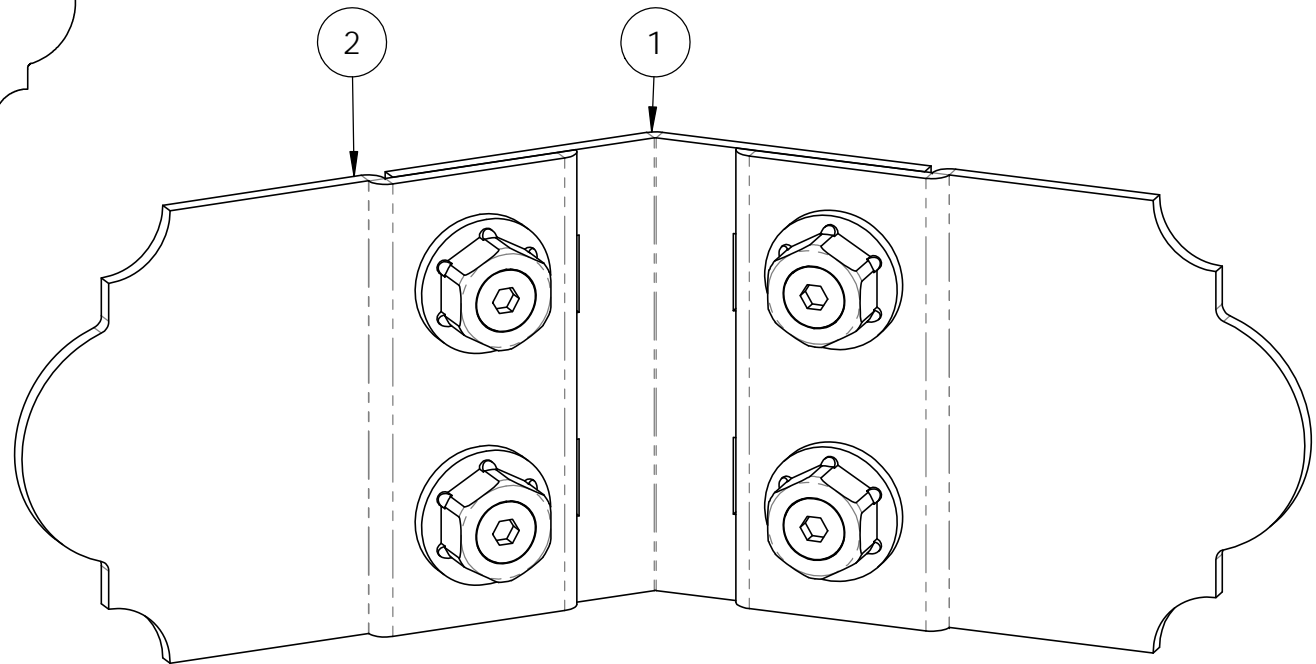
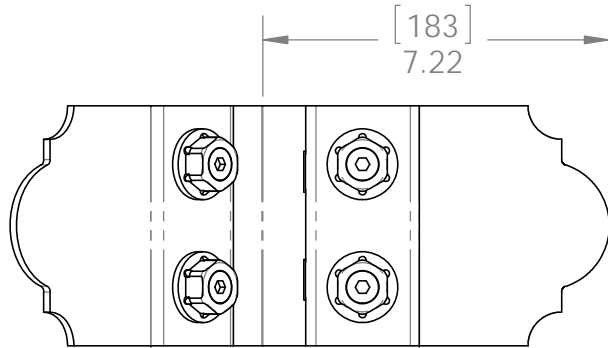
Weight: 1.53 LBS each
 Scale: 1:2
 Last updated: 10/21/2015

Product & Packaging Specs

Flush Inside 45 (FI-45)

Item #: 56616ASM

ITEM NO.	QTY.	PART NUMBER	DESCRIPTION
1	0.5	56616	Flush Inside 45 (FI-45)
2	1	56611	Truss Accent (TA-LS)



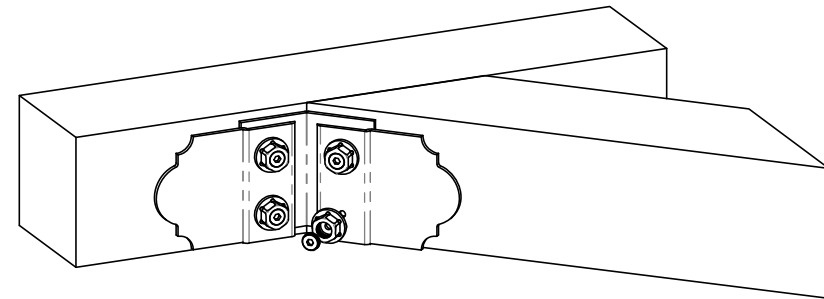
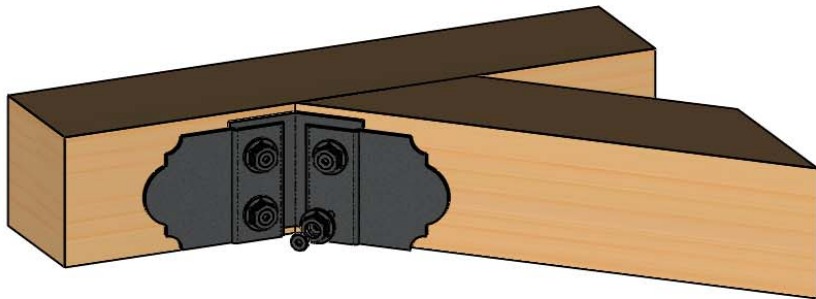
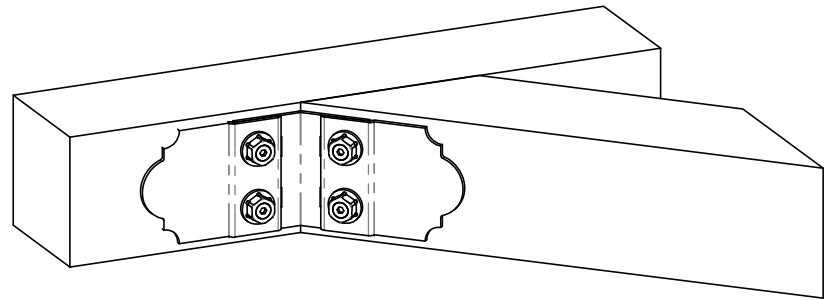
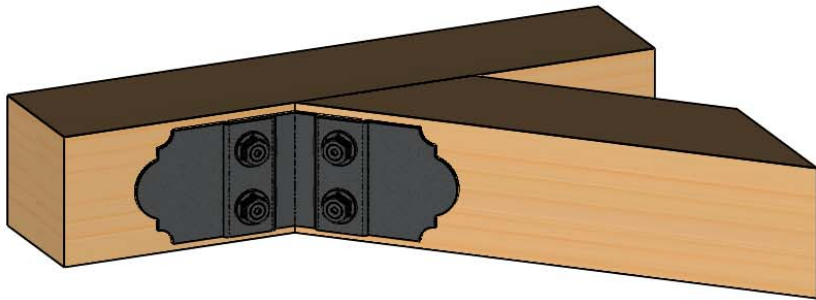
Weight: 4.76 LBS
 Scale: 1:2
 Last updated: 10/21/2015

not sold as shown; for use in Projects only
 end user must choose Timber Screws or Timber Bolts

Product & Packaging Specs

Flush Inside 45 (FI-45)

Item #: Typical Installation & Basic Assembly



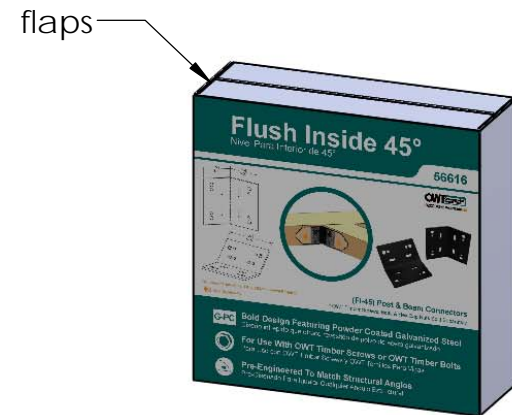
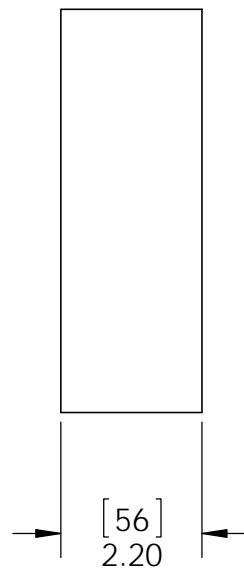
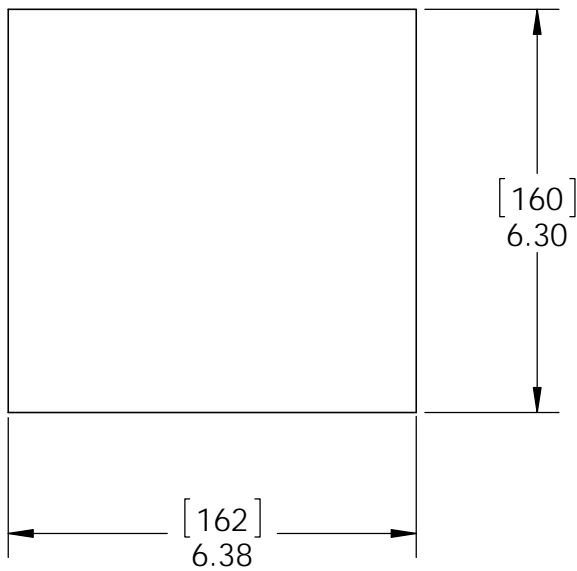
Scale: 1:8
Last updated: 10/21/2015

56616-10

Product & Packaging Specs

Box, Flush Inside 45 & 90

Item #: 56616 Box



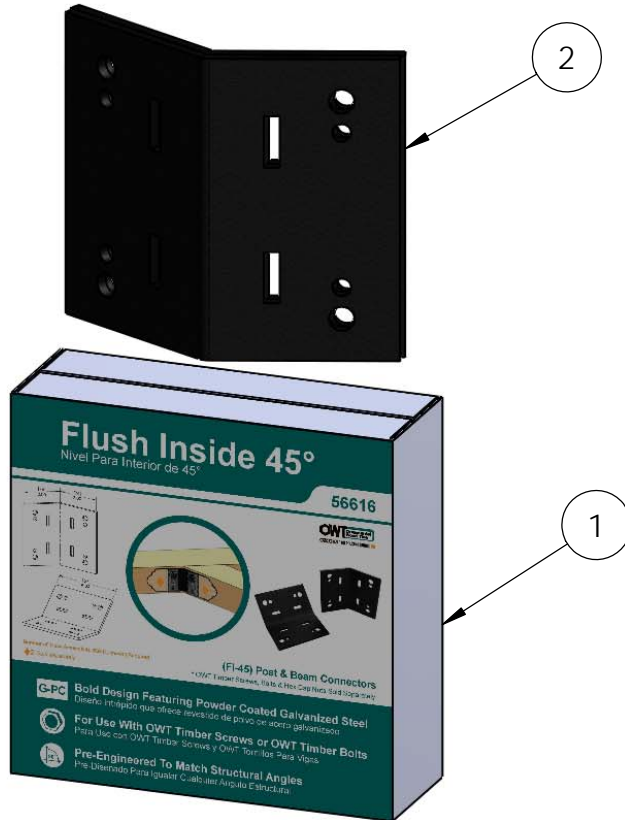
Material: Corrugated Paper
 Finish: See artwork
 Weight: 14.93 LBS
 Scale: 1:3
 Last updated: 10/21/2015

56616-10

Product & Packaging Specs

56616 Packing

Item #: 90 Flush Inside



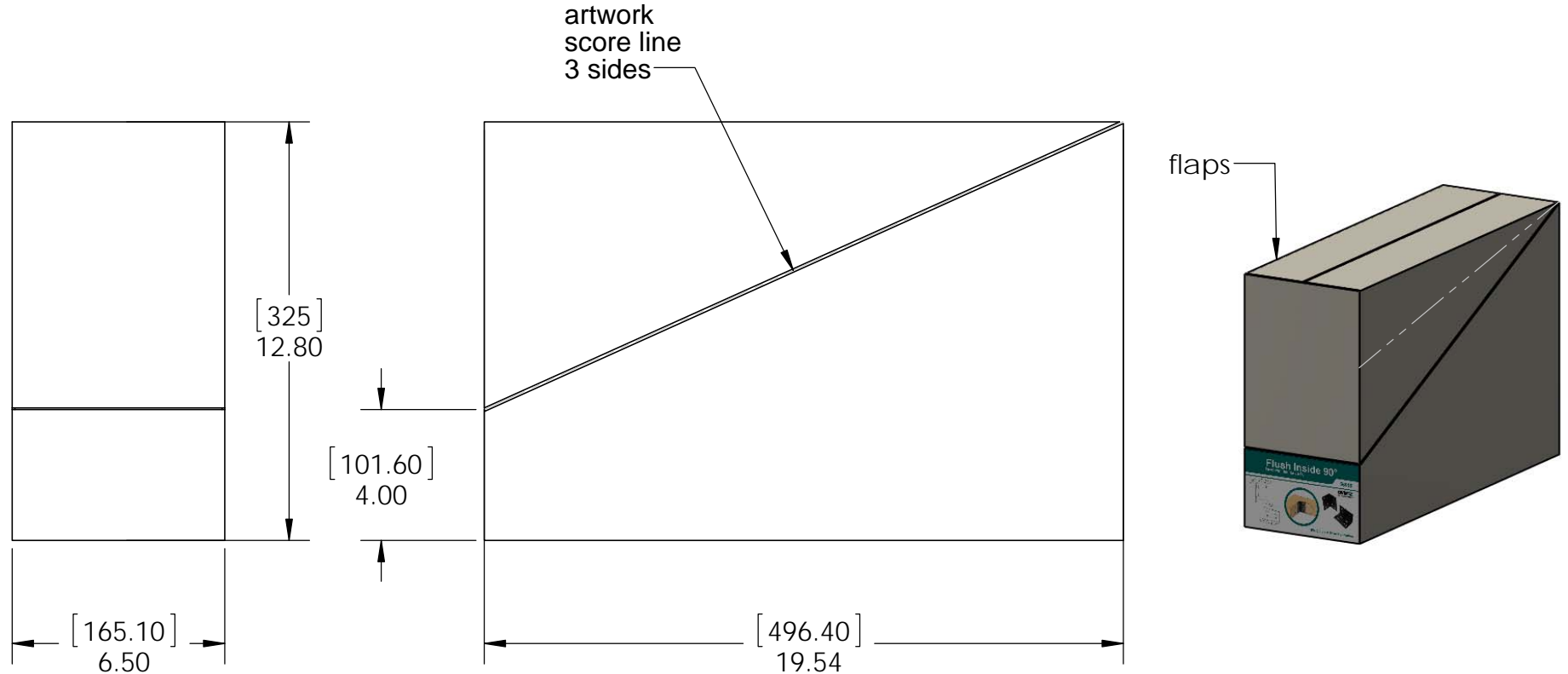
ITEM NO.	QTY.	PART NUMBER	DESCRIPTION
1	1	56616 Box	Box, Flush Inside 45 & 90
2	1	56616	Flush Inside 45 (FI-45)

items not shown:

- installation instructions
- parts wrapped in packing foam sheet

Weight: 3.09 LBS
Scale: 1:3
Last updated: 10/21/2015

56616-10



Material: Corrugated Paper
 Finish: see artwork
 Weight: 0.41 LBS
 Scale: 1:5
 Last updated: 10/21/2015

56616-10



OZCO BUILDING PRODUCTS

Product & Packaging Specs

56616 Packing

Item #: Case Packing

2x6 packing

box shown without flaps for clarity



Weight: 37 LBS
Scale: 1:3
Last updated: 10/21/2015

56616-10

V1.00 - Installation Instructions effective May 1, 2015 and reflects information that available as of April 10, 2014. This information is updated periodically and should not be relied upon after May 1, 2015. Please visit www.OZCOBP.com to get current information



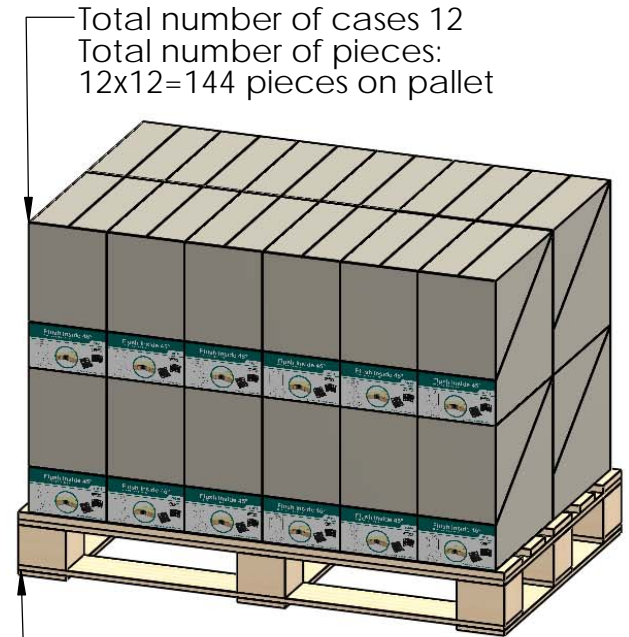
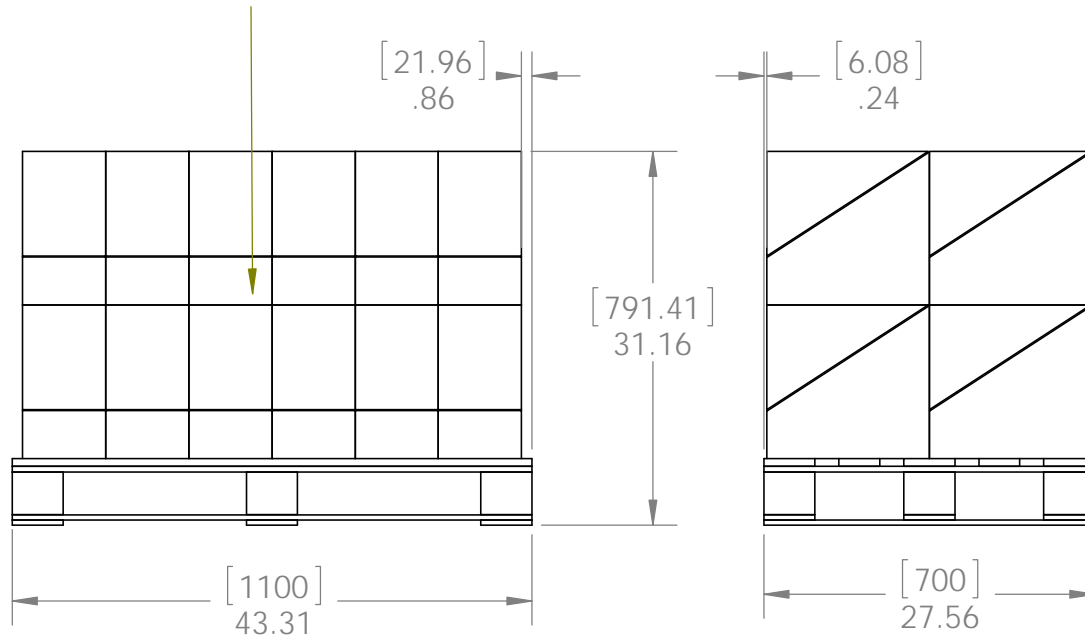
OZCO BUILDING PRODUCTS

Product & Packaging Specs

56616 Packing

Item #: Pallet Packing

Item #: **56616** | **FI45**
 Flush Inside 45°
PALLET **288 pcs**
 SKU#: **56816** 
 Weight: **1140** lbs
 LOT# _____ Priority# _____ 



Total number of cases 12
 Total number of pieces:
 $12 \times 12 = 144$ pieces on pallet

H pallet



additional pallet packing instructions

- plywood on top layer
- strap to pallet
- clear wrap around boxes

Weight: 1140 LBS
 Scale: 1:16
 Last updated: 10/21/2015

56616-10