

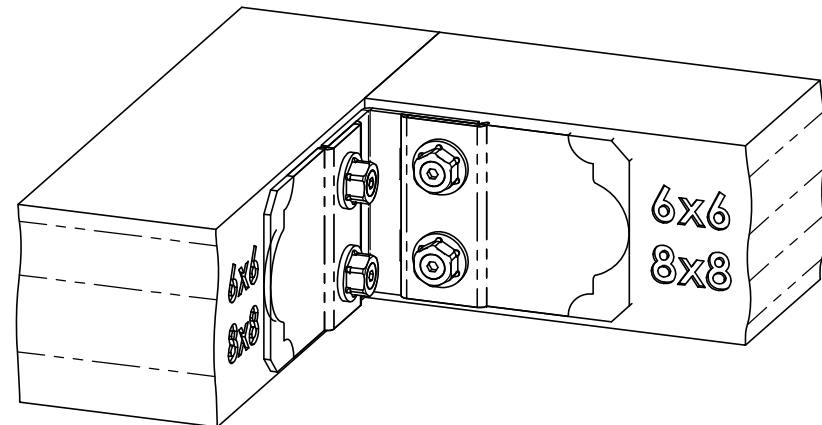
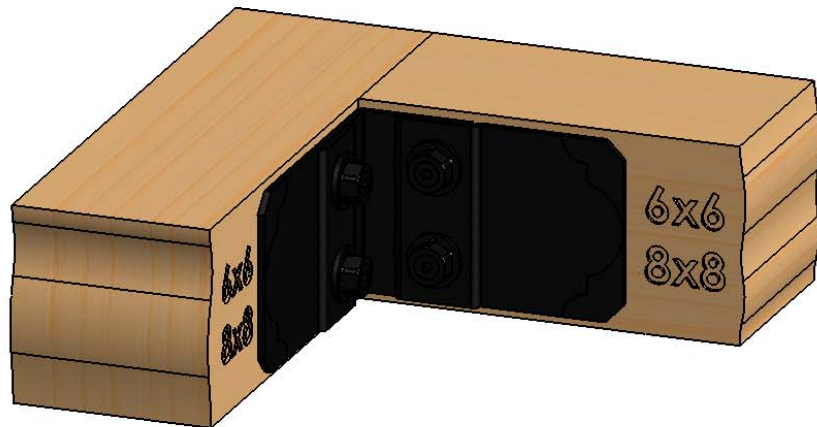
Weight: 1.54 LBS  
Scale: 1:2  
Last updated: 10/10/2016

56615-10

# Product & Packaging Specs

Flush Inside 90 (FI-90)

Item #: Typical Installation & Basic Assembly



**ACCENT PLATES, TIMBER BOLTS &/OR SCREWS SOLD SEPARATELY**

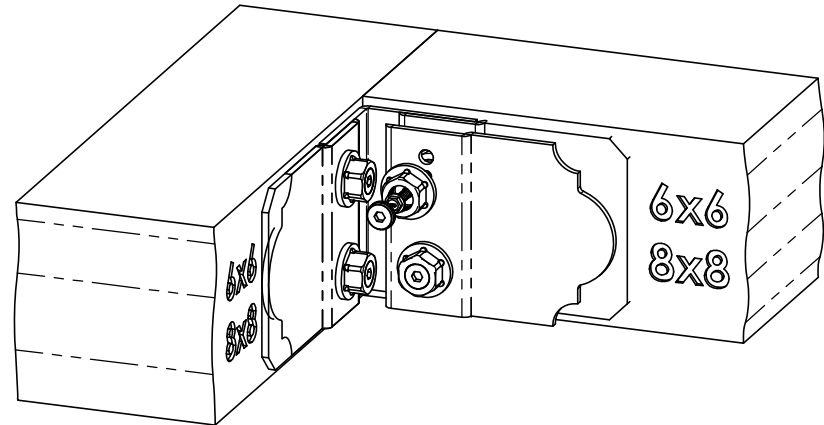
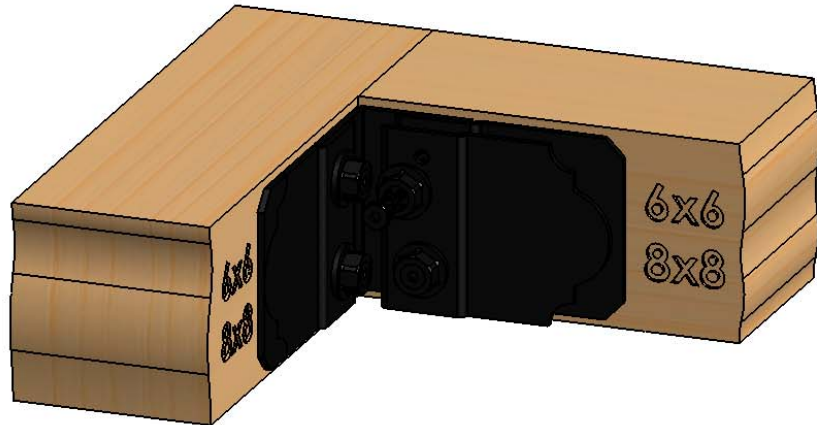
Weight: LBS  
Scale: 1:5  
Last updated: 10/10/2016

56615-10

# Product & Packaging Specs

Flush Inside 90 (FI-90)

Item #: Typical Installation & Basic Assembly



**ACCENT PLATES, TIMBER BOLTS &/OR SCREWS SOLD SEPARATELY**

Weight: LBS  
Scale: 1:5  
Last updated: 10/10/2016

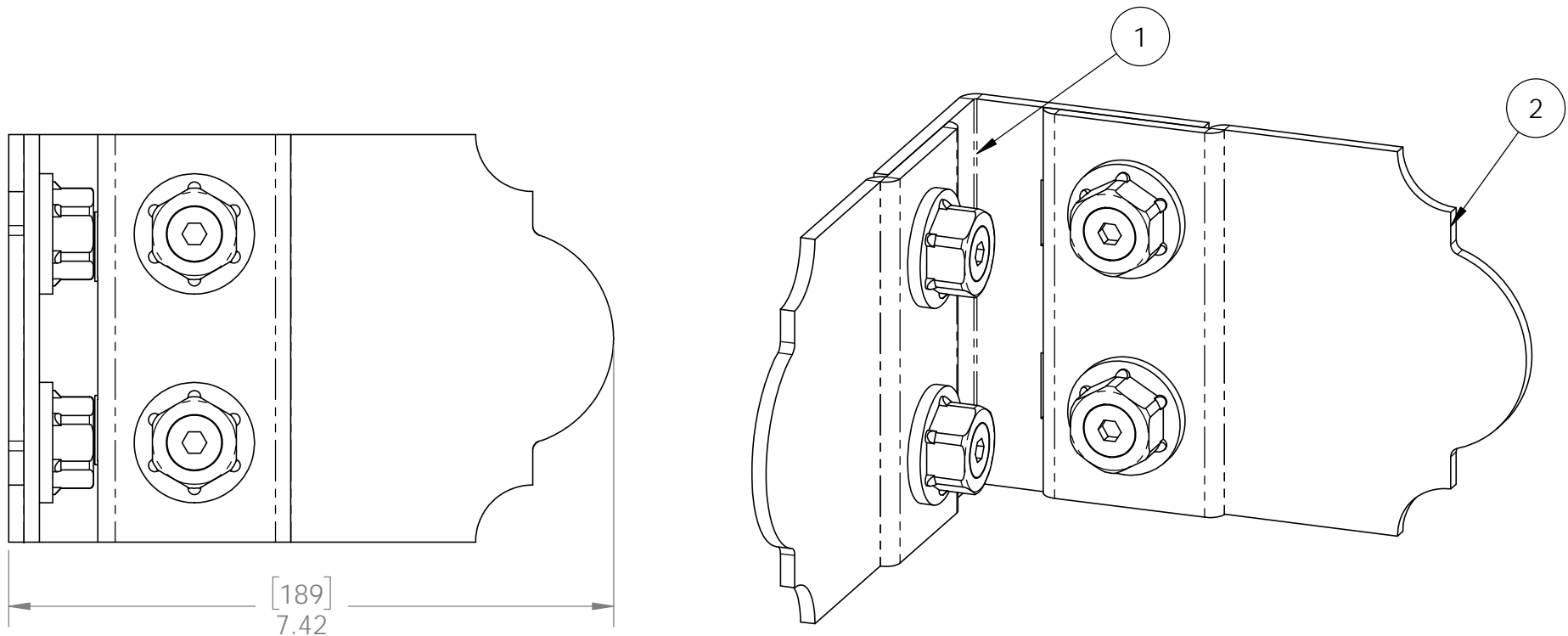
56615-10

# Product & Packaging Specs

## Flush Inside 90 (FI-90)

Item #: 56615ASM

ITEM NO.	QTY.	PART NUMBER	DESCRIPTION
1	0.5	56615	Flush Inside 90 (FI-90)
2	1	56611	Truss Accent (TA-LS)



**ACCENT PLATES, TIMBER BOLTS &/OR SCREWS SOLD SEPARATELY**

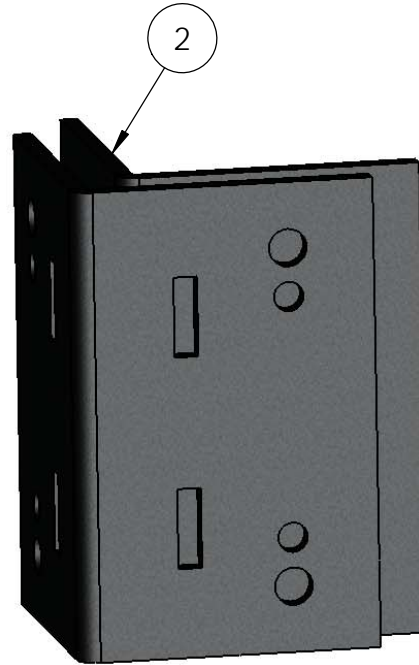
Weight: LBS  
 Scale: 1:2  
 Last updated: 10/10/2016

not sold as shown; for use in Projects only  
 end user must choose Timber Screws or Timber Bolts

# Product & Packaging Specs

## 56615 Packing

Item #: Box Packing

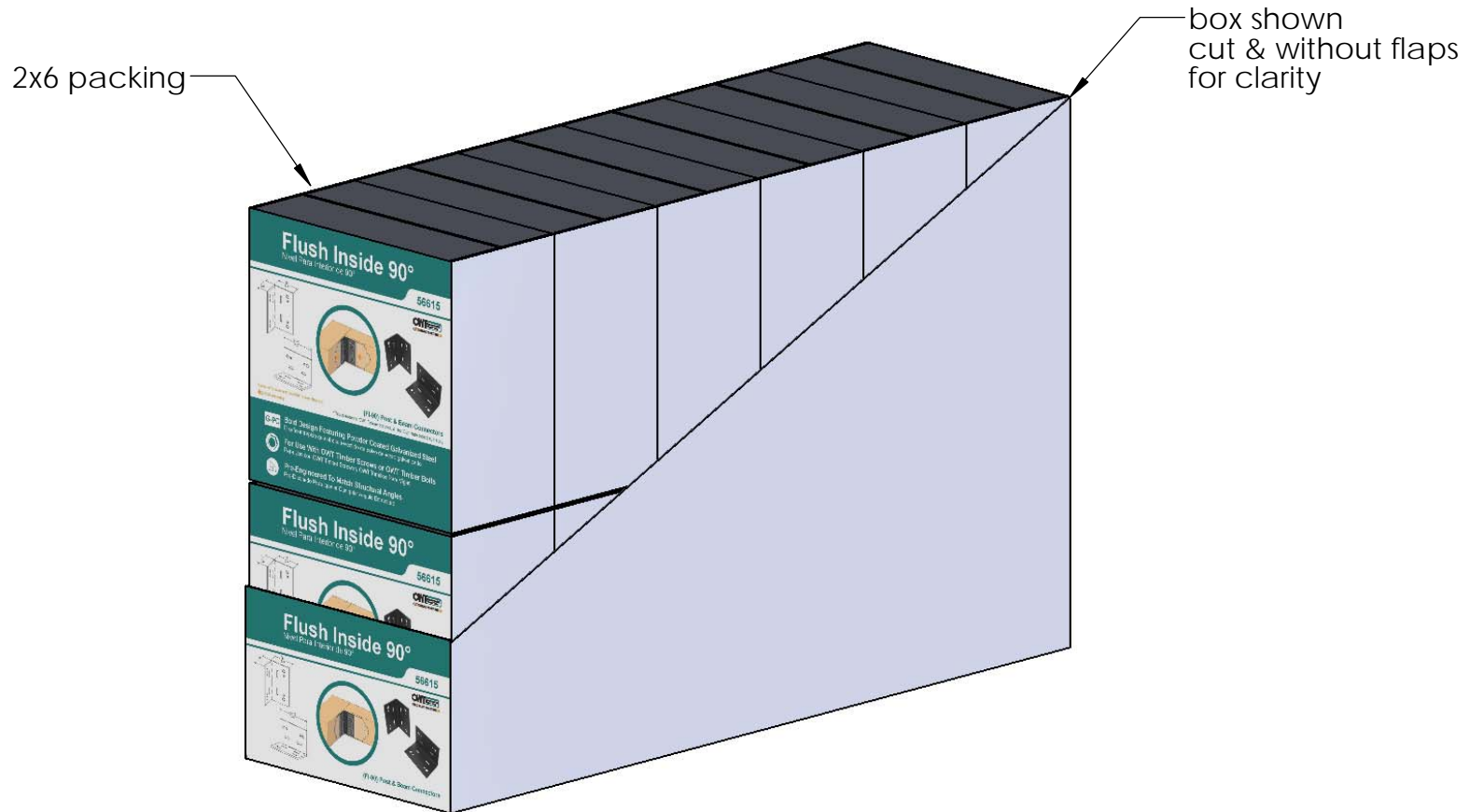


ITEM NO.	QTY.	PART NUMBER	DESCRIPTION
1	1	56615 Box	Box, Flush Inside 45 & 90
2	1	56615	Flush Inside 90 (FI-90)

- items not shown:
- installation instructions
  - parts wrapped in packing foam sheet

Weight: 3.13 LBS  
 Scale: 1:2  
 Last updated: 10/10/2016

56615-10



Weight: 39 LBS  
 Scale: 1:4  
 Last updated: 10/10/2016

**56615-10**



OZCO BUILDING PRODUCTS

# Product & Packaging Specs

## 56615 Packing

Item #: Pallet Packing

Item #: **56615** | **FI90**

Flush Inside 90°

**PALLET** | **192 pcs**

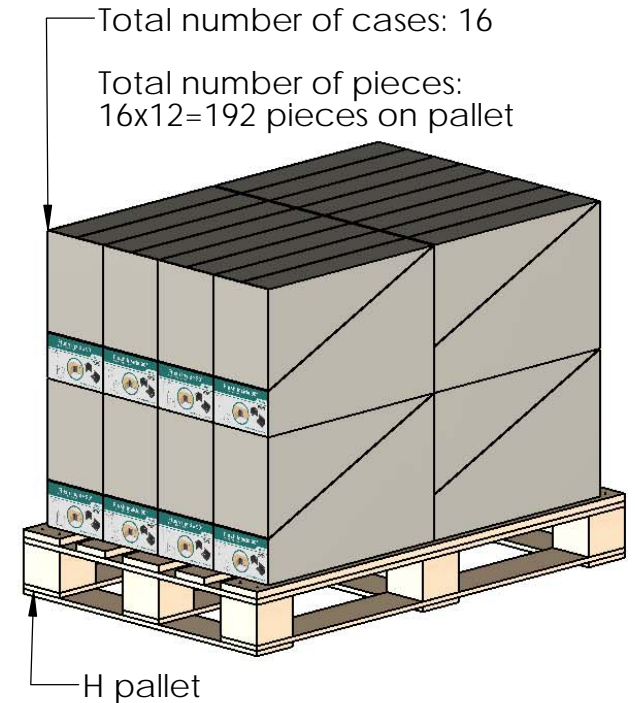
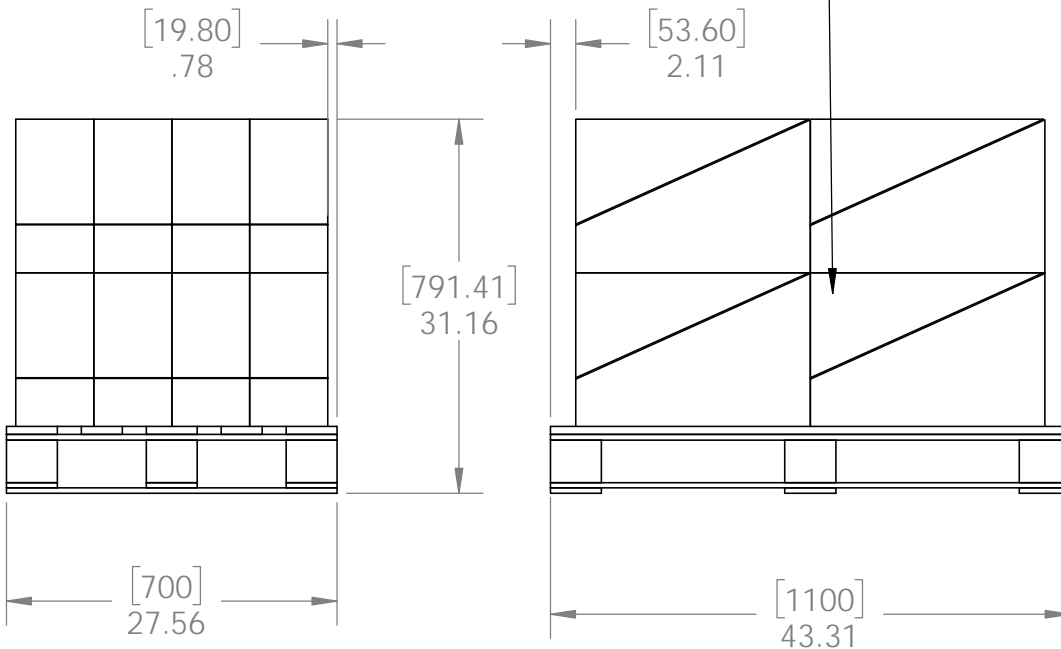
SKU#: **56815**



Weight: **667 lbs**

LOT#

Priority#



Total number of cases: 16

Total number of pieces:  
16x12=192 pieces on pallet



additional pallet packing instructions

- plywood on top layer
- strap to pallet
- clear wrap around boxes

Weight: 667 LBS  
Scale: 1:12  
Last updated: 10/10/2016

56615-10