

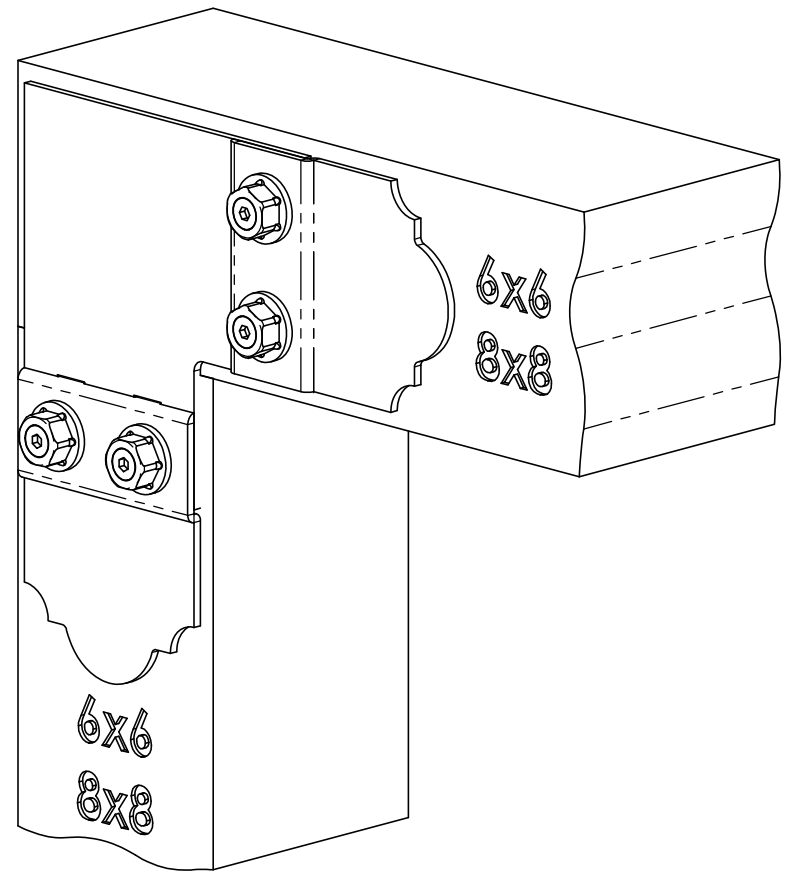
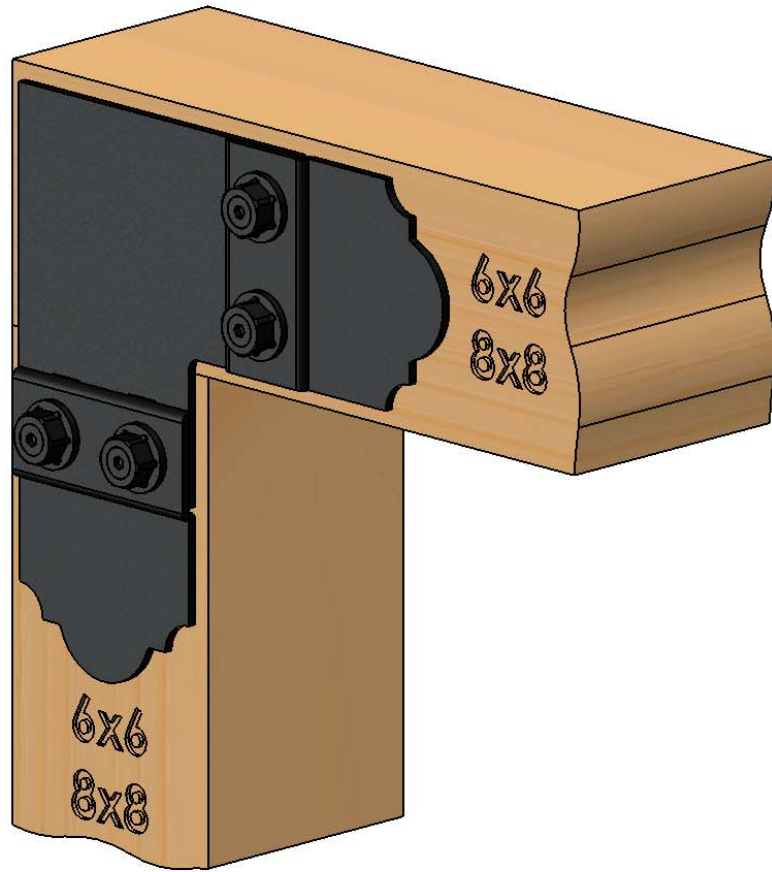
Weight: 6.24 LBS  
 Scale: 1:2  
 Last updated: 10/10/2016

56614-10

# Product & Packaging Specs

## Flush Outside 90° (FO-90)

Item #: Typical Installation & Basic Assembly



**ACCENT PLATES, TIMBER BOLTS &/OR SCREWS SOLD SEPARATELY**

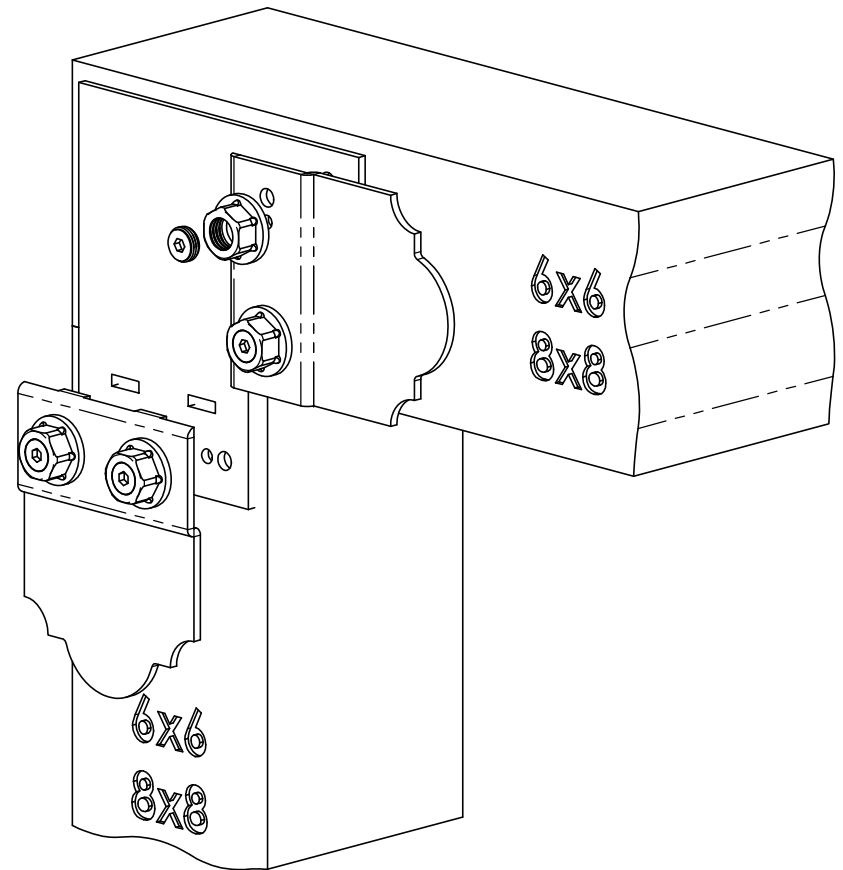
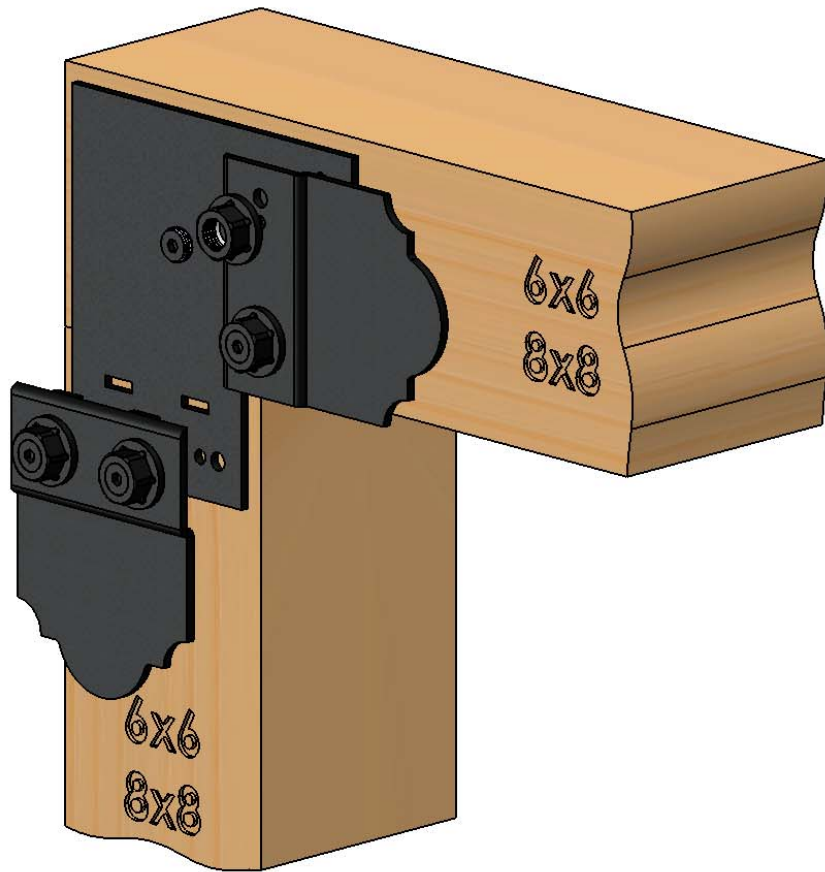
Weight: 6.24 LBS  
Scale: 1:4  
Last updated: 10/10/2016

56614-10

# Product & Packaging Specs

## Flush Outside 90° (FO-90)

Item #: Typical Installation & Basic Assembly



Weight: 6.24 LBS  
Scale: 1:4  
Last updated: 10/10/2016

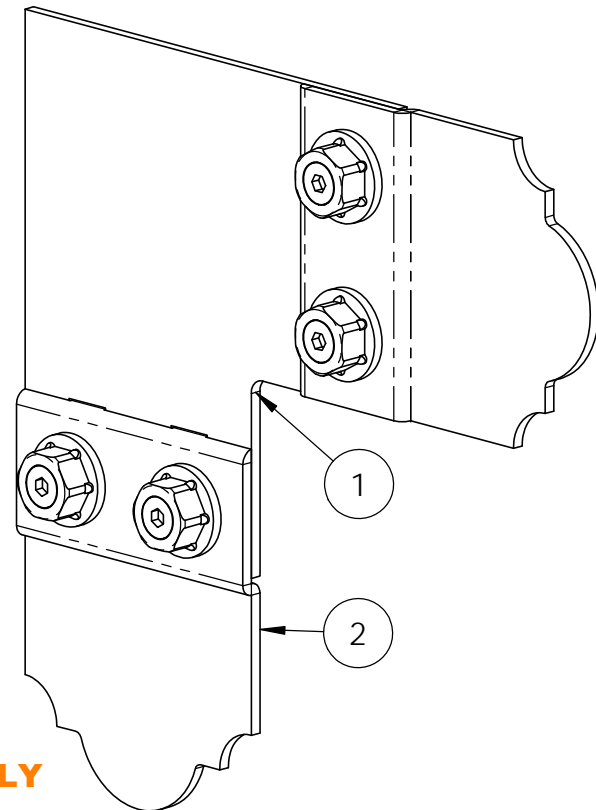
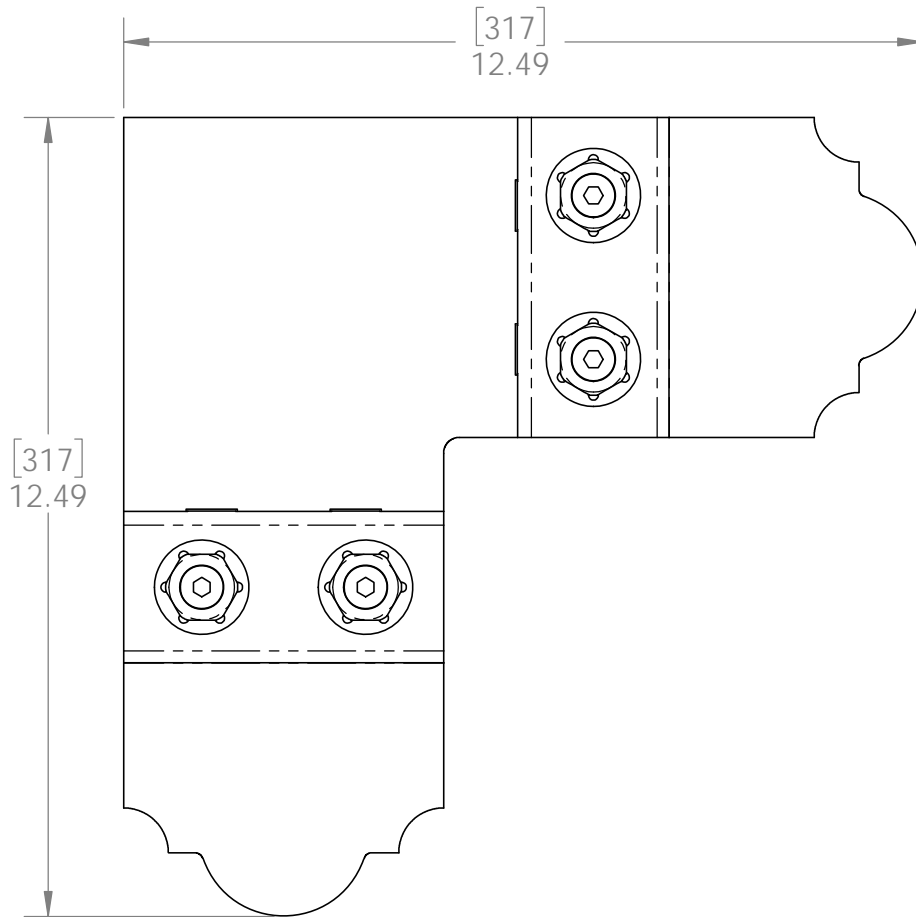
**ACCENT PLATES, TIMBER BOLTS &/OR SCREWS SOLD SEPARATELY**

# Product & Packaging Specs

## Flush Outside 90° (FO-90)

Item #: 56614

ITEM NO.	QTY.	PART NUMBER	DESCRIPTION
1	0.5	56614	Flush Outside 90°
2	1	56611	Truss Accent (TA-LS)



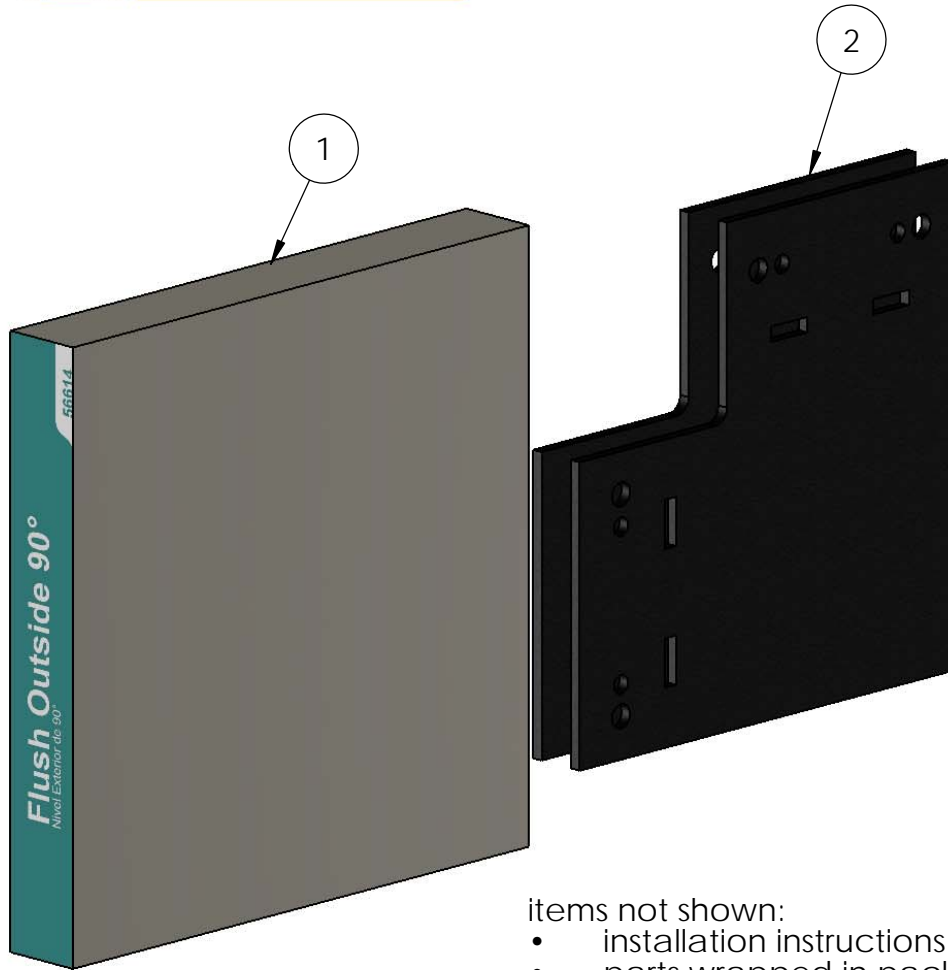
**ACCENT PLATES, TIMBER BOLTS &/OR SCREWS SOLD SEPARATELY**

Weight: 6.24 LBS  
 Scale: 1:3  
 Last updated: 10/10/2016

not sold as shown; for use in Projects only  
 end user must choose Timber Screws or Timber Bolts

# Product & Packaging Specs

56614 Packing  
 Item #: Box packing



ITEM NO.	QTY.	PART NUMBER	DESCRIPTION
1	1	56614 Box	Box, Flush Outside 90°
2	1	56614	Flush Outside 90°

items not shown:

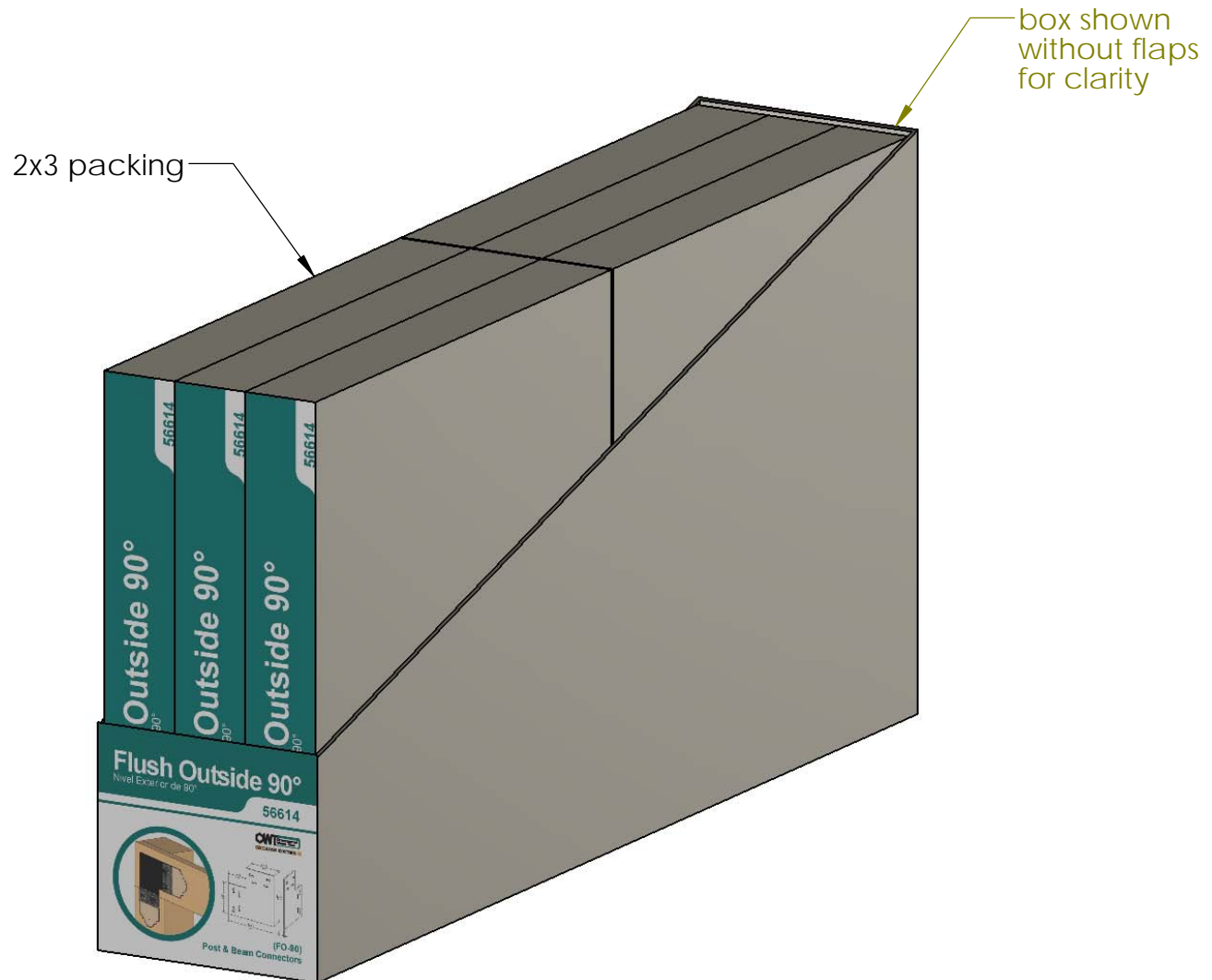
- installation instructions
- parts wrapped in packing foam sheet

Weight: 6.08 LBS  
 Scale: 1:3  
 Last updated: 10/10/2016

# Product & Packaging Specs

56614 Packing

Item #: Case packing



Weight: 37 LBS  
Scale: 1:3  
Last updated: 10/10/2016

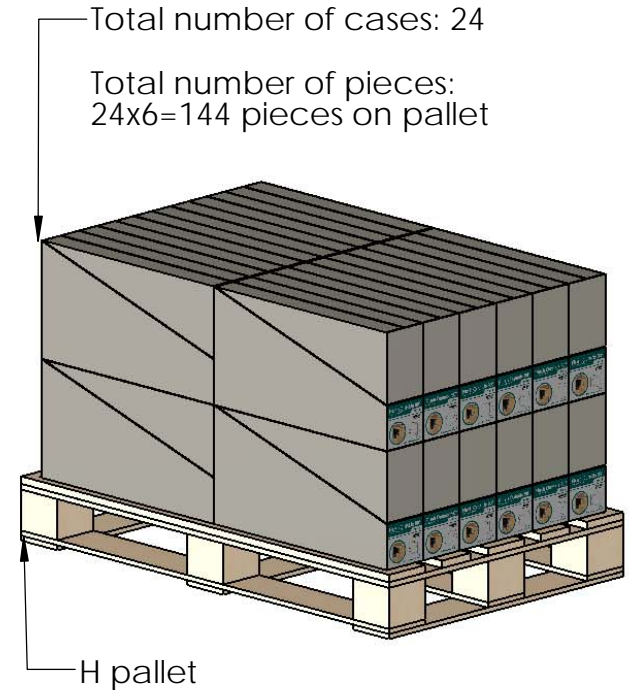
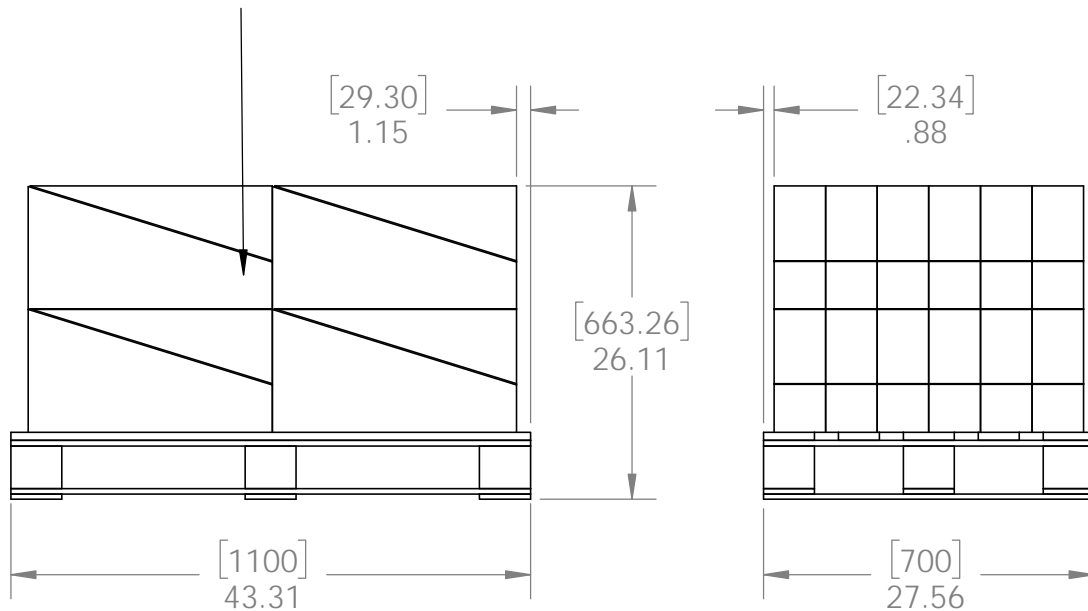
56614-10

# Product & Packaging Specs

## 56614 Packing

Item #: Pallet packing

Item #: **56614** | **F090**  
 Flush Outside 90°  
**PALLET** **144 pcs**  
 sku#: **56814**  
 Weight: **938** lbs  
 LOT# Priority# 



additional pallet packing instructions

- plywood on top layer
- strap to pallet
- clear wrap around boxes

Weight: 938 LBS  
 Scale: 1:16  
 Last updated: 10/10/2016