

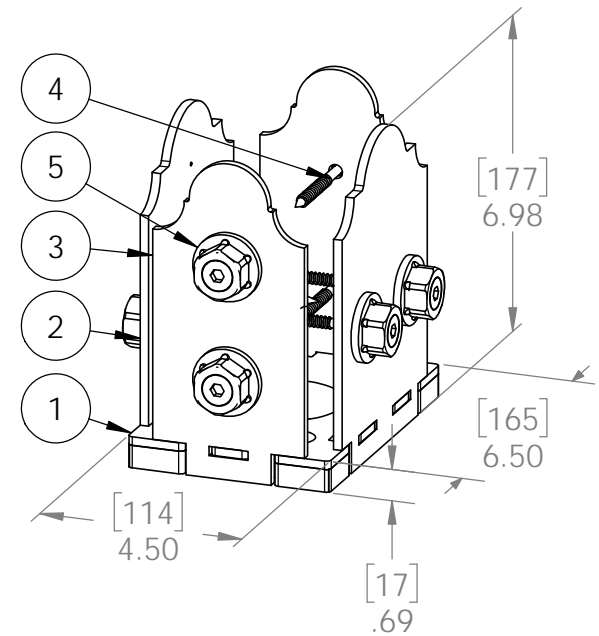
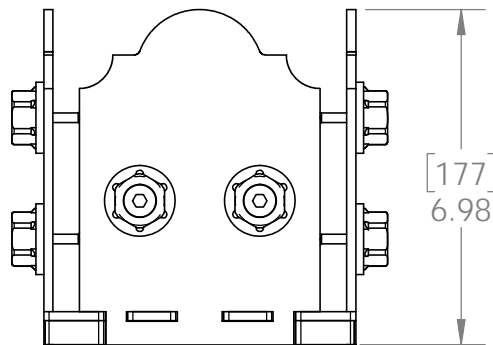
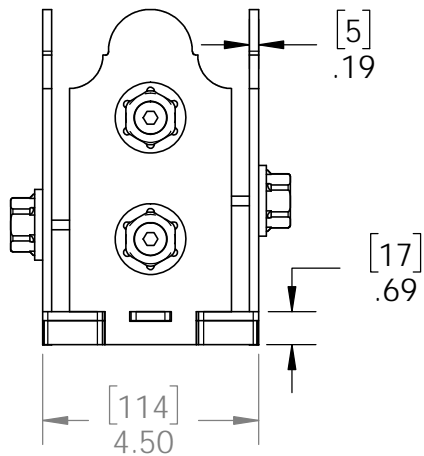
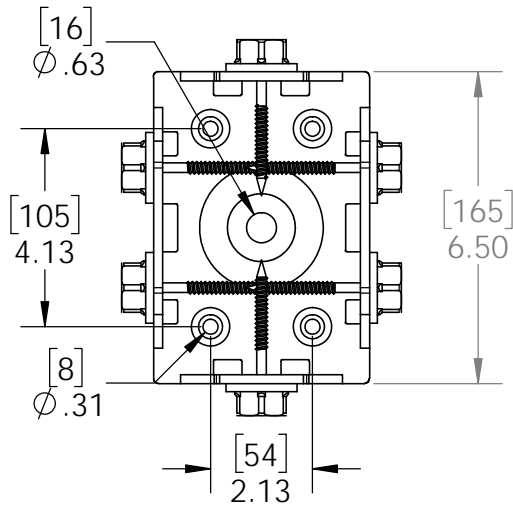


OZCO BUILDING PRODUCTS

Product & Packaging Specs

Post Base Kit (4x6-PB-LS)

Item #: 56604



ITEM NO.	QTY.	PART NUMBER	DESCRIPTION
1	1	56604-10	Assembly, 4x6 Stand Off
2	2	56608-15	Plate, 6x6 Side Compression
3	2	56604-12	Plate, 4x4 Side Compression
4	0.32	56626	OWT Timber Screw 2-3/4"
5	0.8	56621	1 1/2" Hex Cap Nut (HCN)

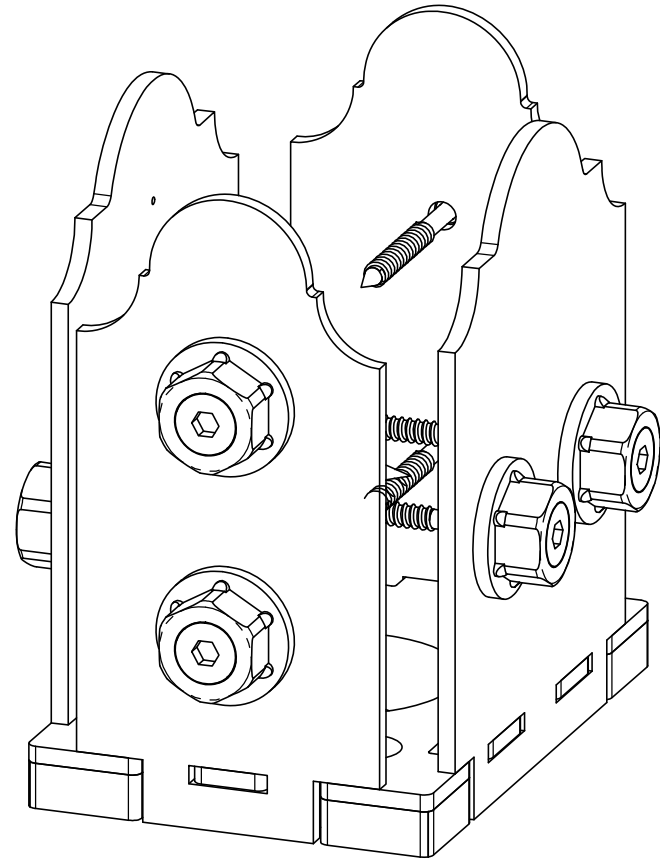
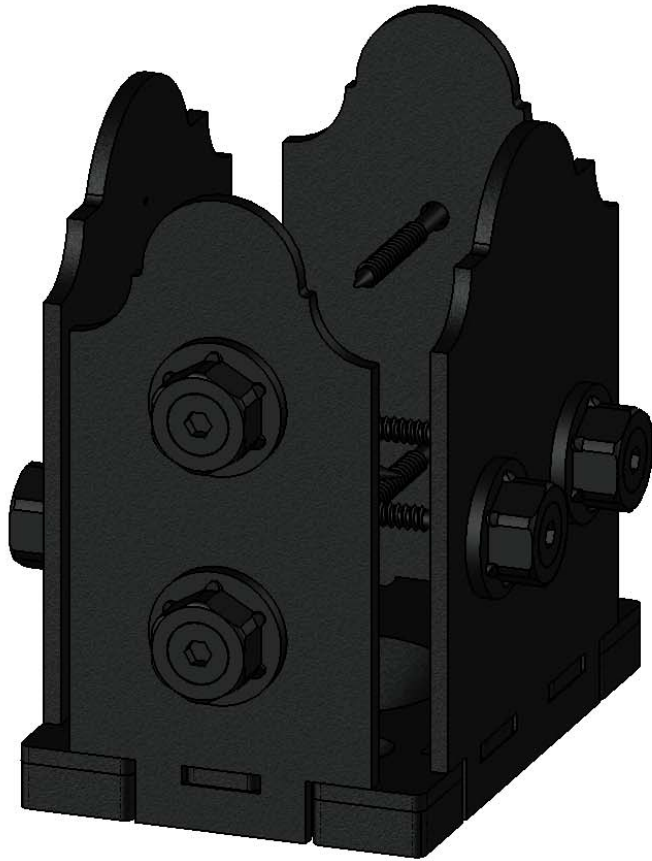
Weight: 7.71 LBS
 Scale: 1:4
 Last updated: 10/10/2016

56604

Product & Packaging Specs

Post Base Kit (4x6-PB-LS)

Item #: 56604



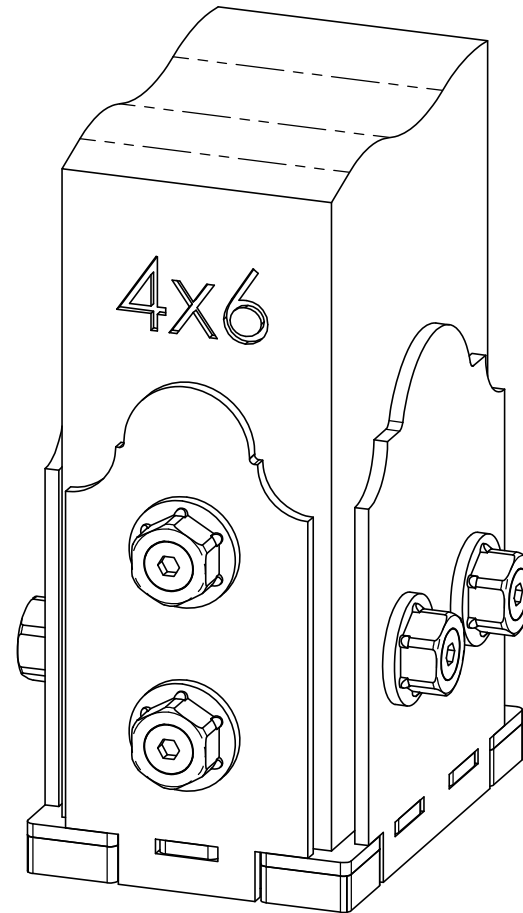
Weight: 7.71 LBS
Scale: 1:2
Last updated: 10/10/2016

56604

Product & Packaging Specs

Post Base Kit (4X6-PB-LS)

Item #: Typical Installation & Basic Assembly



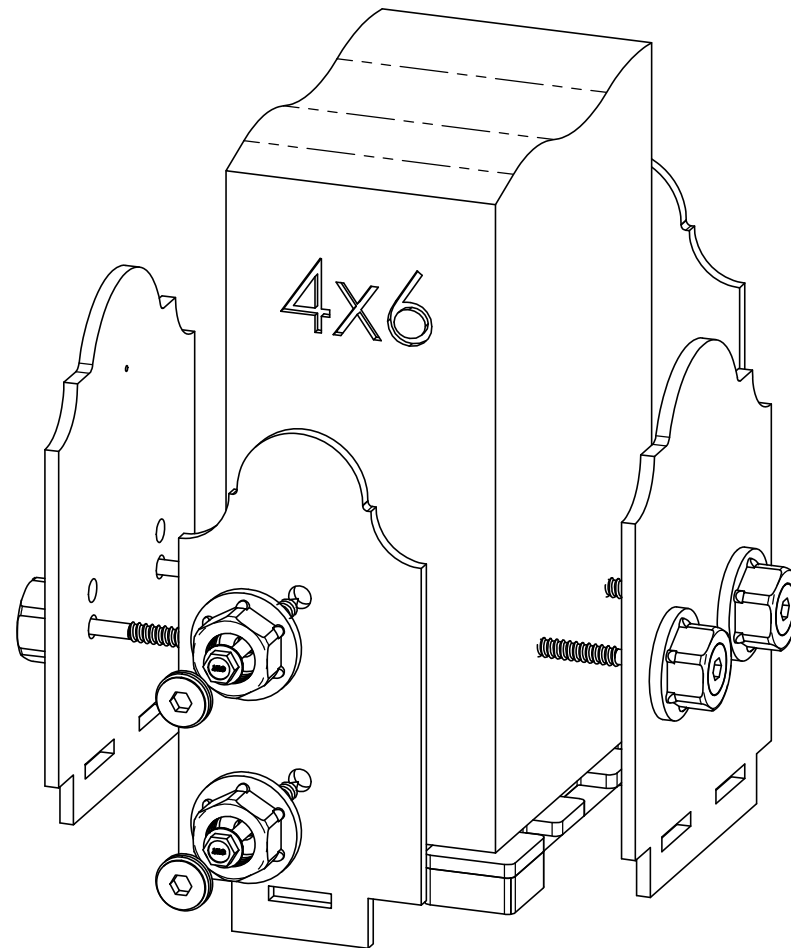
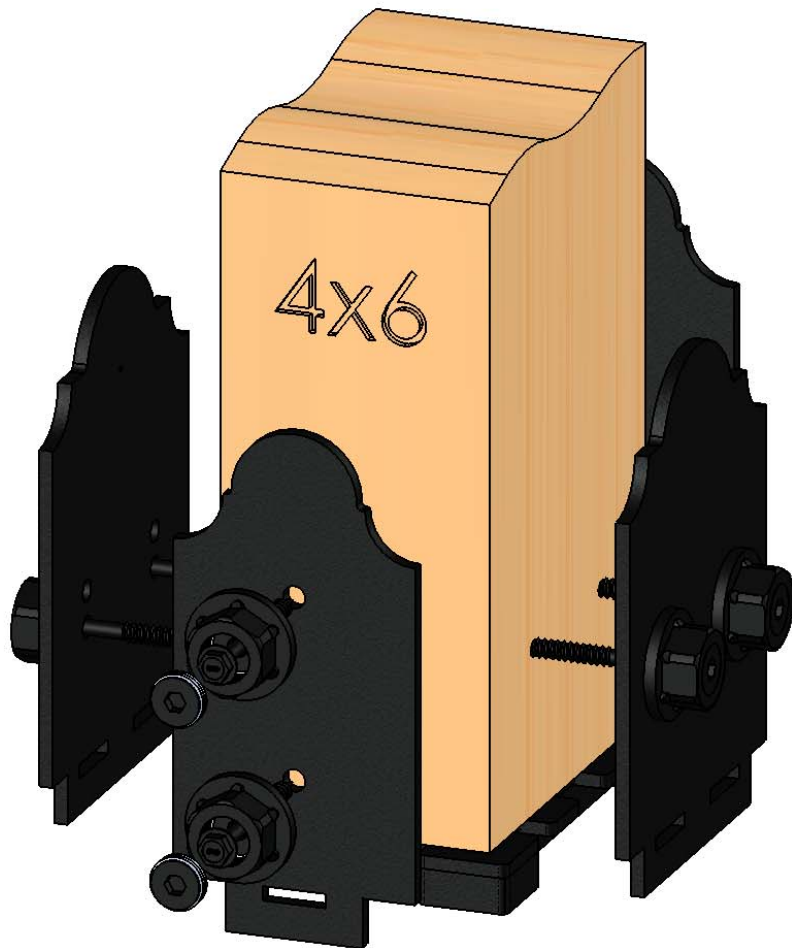
Scale: 1:2.5
Last updated: 10/10/2016

56604

Product & Packaging Specs

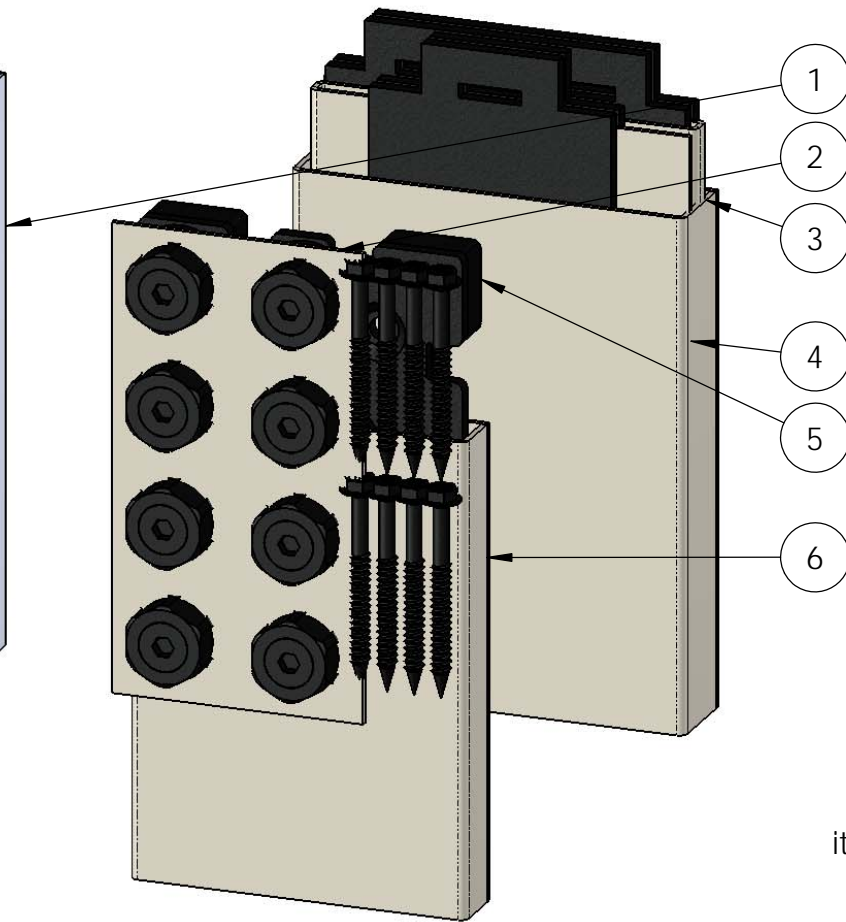
Post Base Kit (4X6-PB-LS)

Item #: Typical Installation & Basic Assembly



Scale: 1:2.5
Last updated: 10/10/2016

56604



ITEM NO.	QTY.	PART NUMBER	DESCRIPTION
1	1	Box, 56604	Box, 6x6 Post Base
2	1	Insert, 56604 HCN	Insert, 56604 HCN
3	1	Box, 56604 Plate Sleeve	Box, 56604 Plate Sleeve
4	1	Sleeve, 56604 Plate	Sleeve, 56604 Plate
5	1	56604	Assembly, 4x6 Post Base
6	1	Box, 56604 Base	Box, 56604 Base
7	1	Bag, 4x6 packing	Bag, 4x6 Packing

item 7 utilized for screws (not shown)

Weight: 7.90 LBS
 Scale: 1:2.5
 Last updated: 10/10/2016

56604

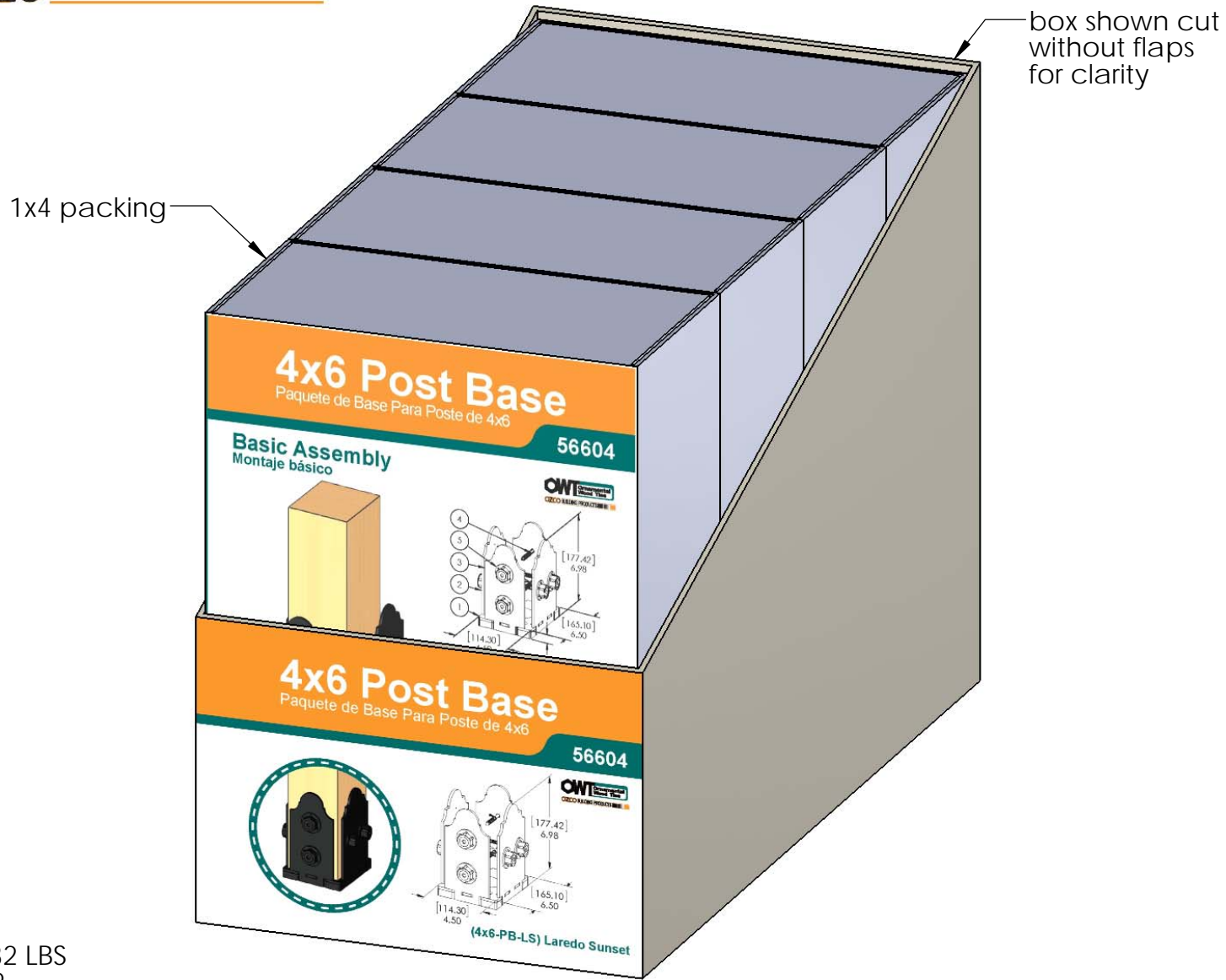


OZCO BUILDING PRODUCTS

Product & Packaging Specs

56604 Packing

Item #: Case packing



Weight: 32 LBS
Scale: 1:2
Last updated: 10/10/2016

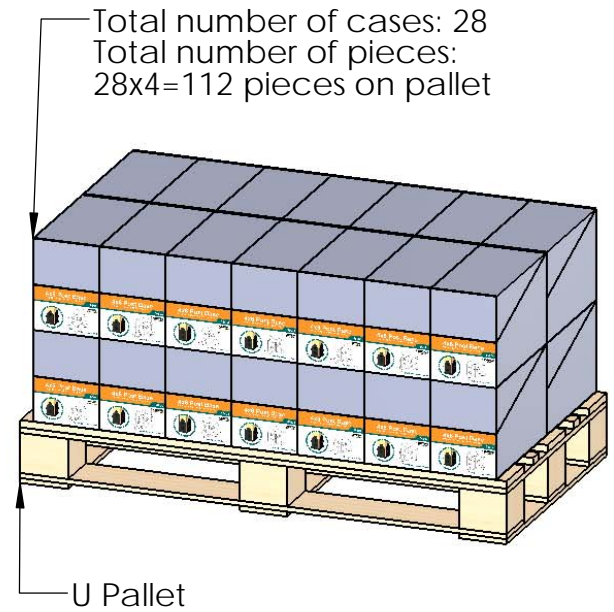
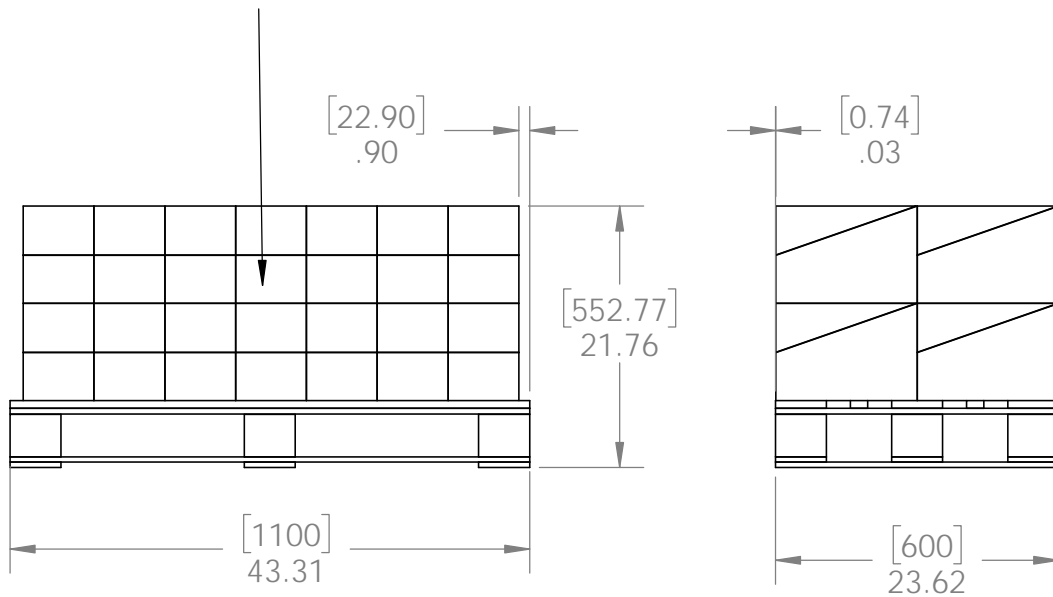
56604

Product & Packaging Specs

56604 Packing

Item #: Pallet packing

Item #: **56604** | **4x6-PB-LS**
 4X6 Post Base Laredo Sunset
PALLET | **112 pcs**
 SKU#: **56804** 
 Weight: **930 lbs.**
 LOT# _____ Priority# _____ 



additional pallet packing instructions
 plywood on top layer
 strap to pallet
 clear wrap around boxes

Weight: 930 LBS
 Scale: 1:16
 Last updated: 10/10/2016

56604