



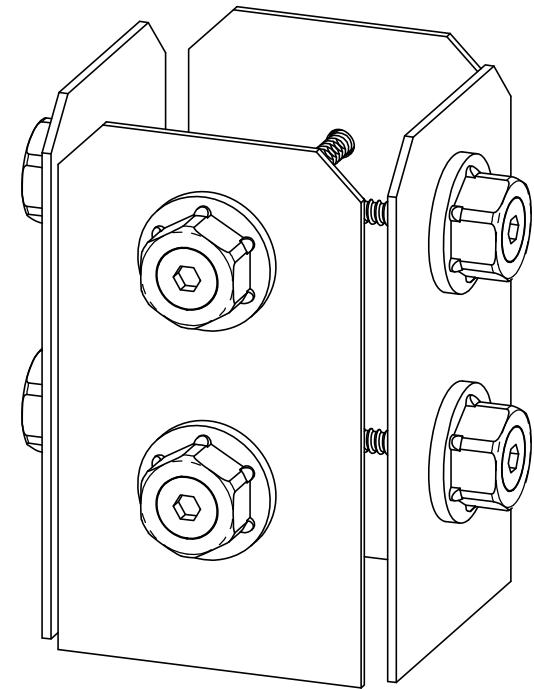
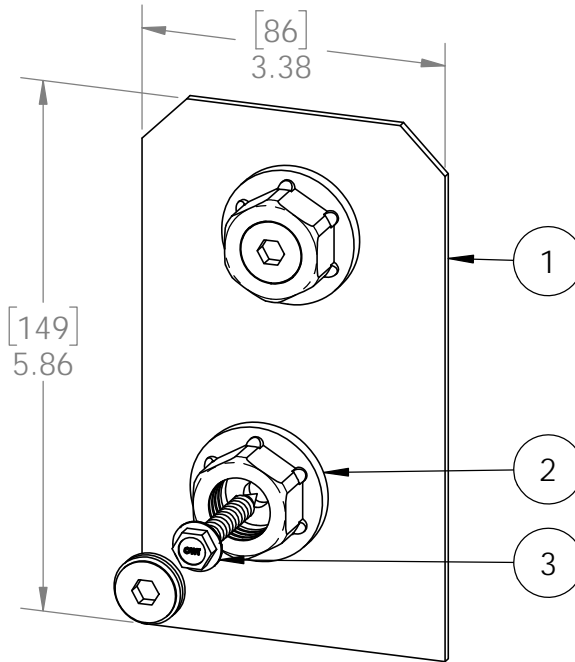
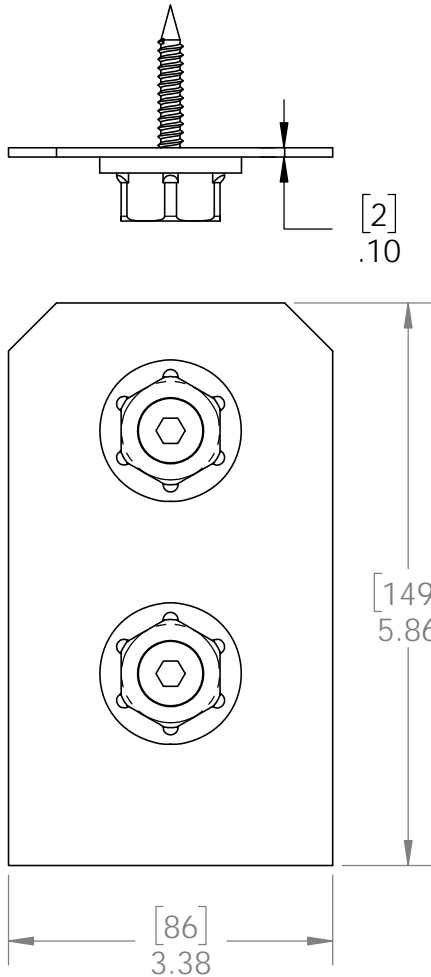
OZCO BUILDING PRODUCTS

# Product & Packaging Specs

## 4x4 Faux Post Base (4x4-FBS-IW)

Item #: 51789

ITEM NO.	QTY.	PART NUMBER	DESCRIPTION
1	4	51789-15	Plate, 4x4 Side Compression
2	0.8	56621	1 1/2" Hex Cap Nut (HCN)
3	0.32	56625	OWT Timber Screw 1-3/4"



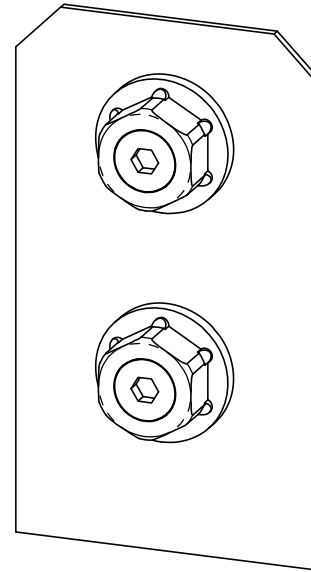
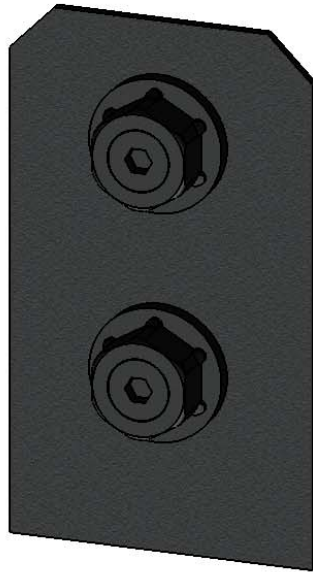
Weight: 0.66 LBS  
 Scale: 1:2  
 Last updated: 10/10/2016

51789

# Product & Packaging Specs

## 4x4 Faux Post Base (4x4-FBS-IW)

Item #: 51789



Weight: 0.66 LBS  
Scale: 1:2  
Last updated: 10/10/2016

51789

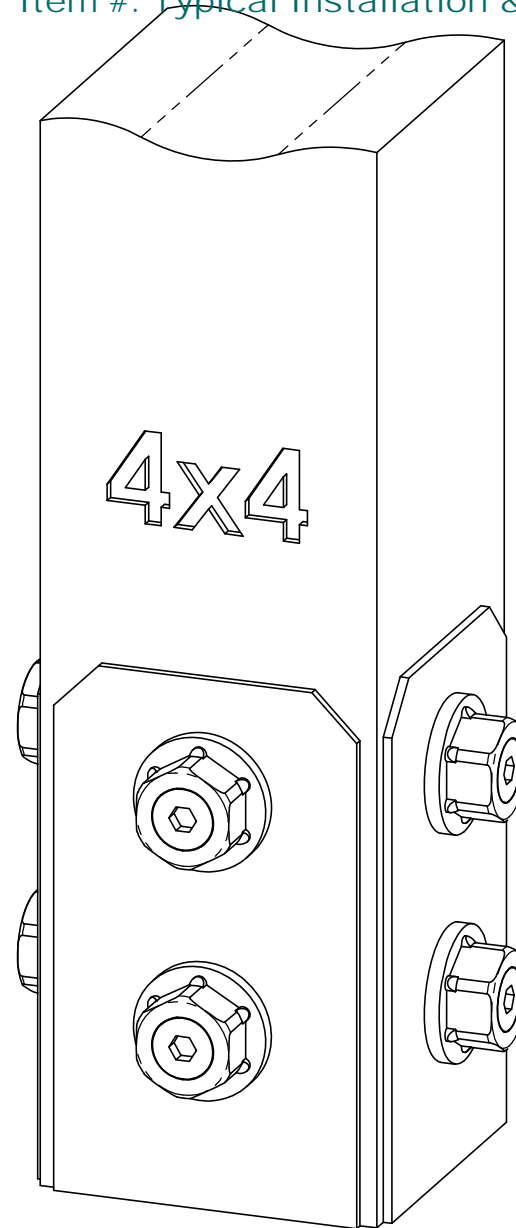


OZCO BUILDING PRODUCTS

# Product & Packaging Specs

## 4x4 Faux Post Base (4x4-FBS-IW)

Item #: Typical Installation & Basic Assembly



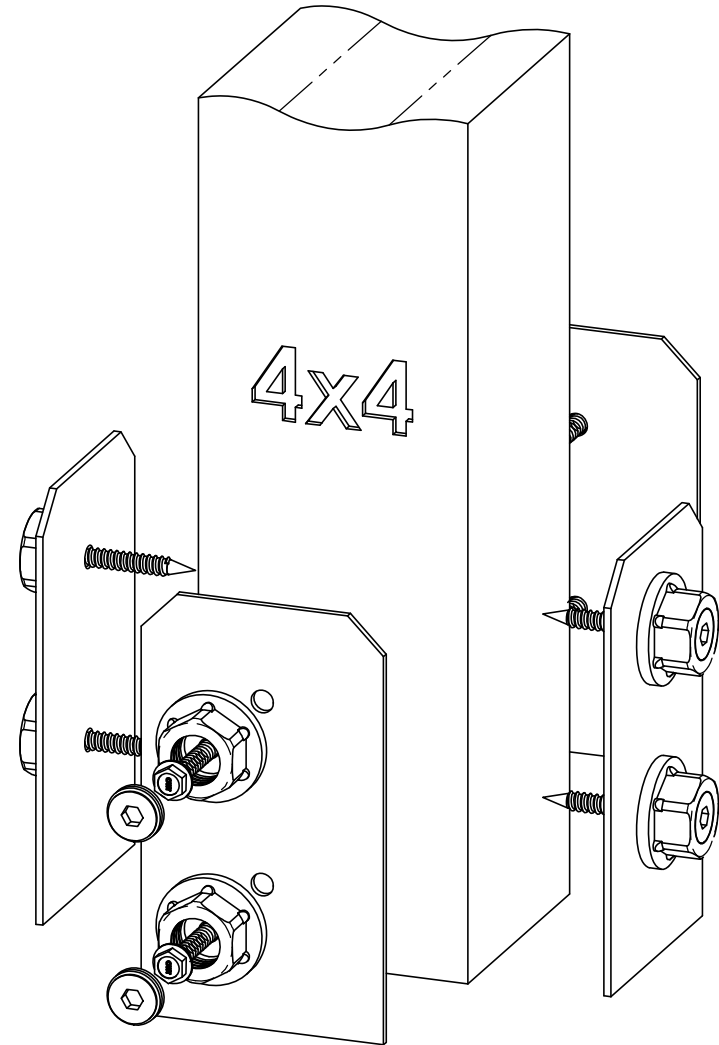
Weight: 0.66 LBS  
Scale: 1:2  
Last updated: 10/10/2016

51789

# Product & Packaging Specs

## 4x4 Faux Post Base (4x4-FBS-IW)

Item #: Typical Installation & Basic Assembly



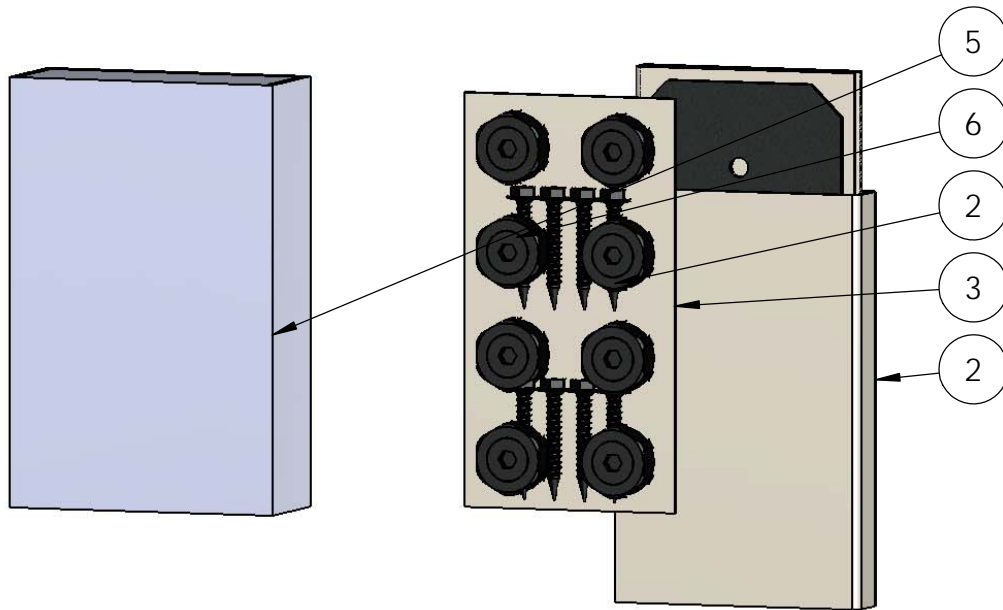
Weight: 0.66 LBS  
Scale: 1:2.5  
Last updated: 10/10/2016

51789

# Product & Packaging Specs

## 51789 Packing

Item #: Box packing



ITEM NO.	Box packing/QTY.	PART NUMBER	DESCRIPTION
1	1	Sleeve, 56689 Plate	Sleeve, 56689 Plate
2	1	Box, 56689 Plate Sleeve Insert, 56689 HCN	Sleeve, 6x6 Faux Post Plate
3	1	Insert, 56689 HCN	Insert, 56689 HCN
4	1	Bag, 4x6 packing	Bag, 4x6 Packing
5	1	Box, 51789	Box, 51789
6	1	51789	4x4 Faux Post Base (4x4-FBS-IW)

item 6 utilized for screws (not shown)

add foam or other equivalent spacer inside box to consume space and secure product

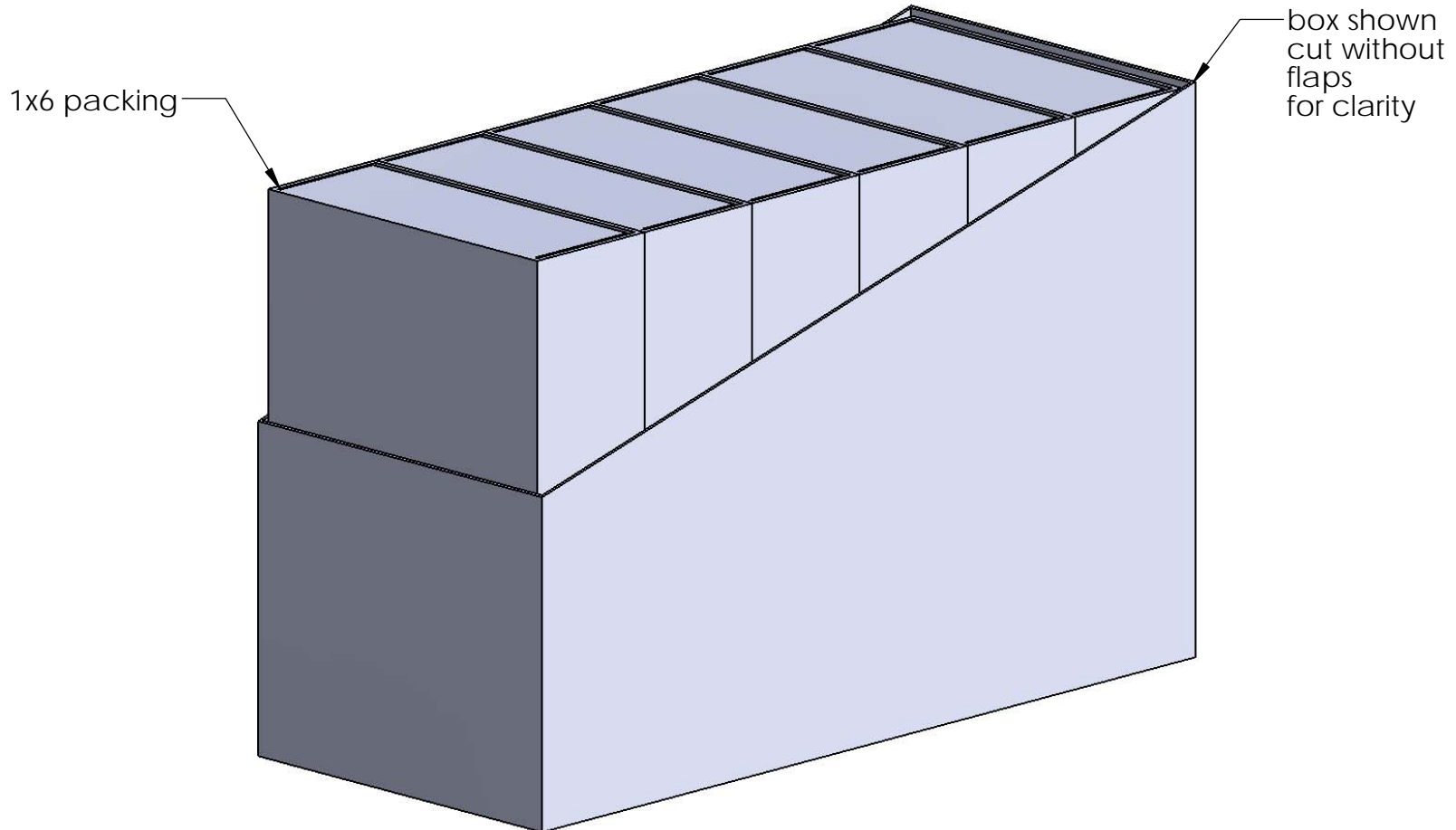
Weight: 2.77 LBS  
 Scale: 1:3  
 Last updated: 10/10/2016

51789

# Product & Packaging Specs

51789 Packing

Item #: Case packing



Weight: 16 LBS  
Scale: 1:2  
Last updated: 10/10/2016

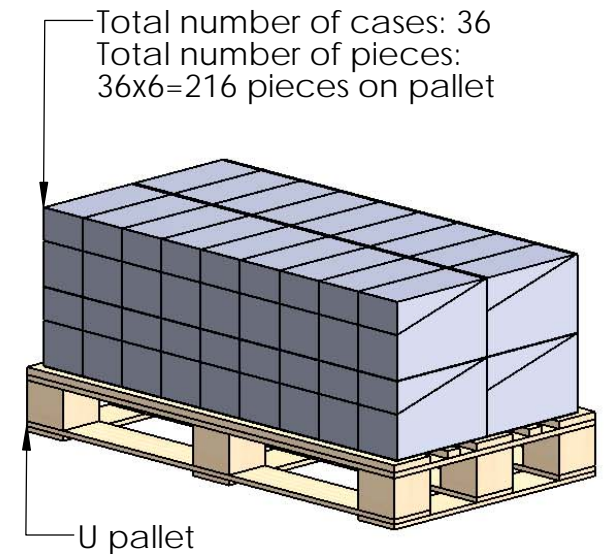
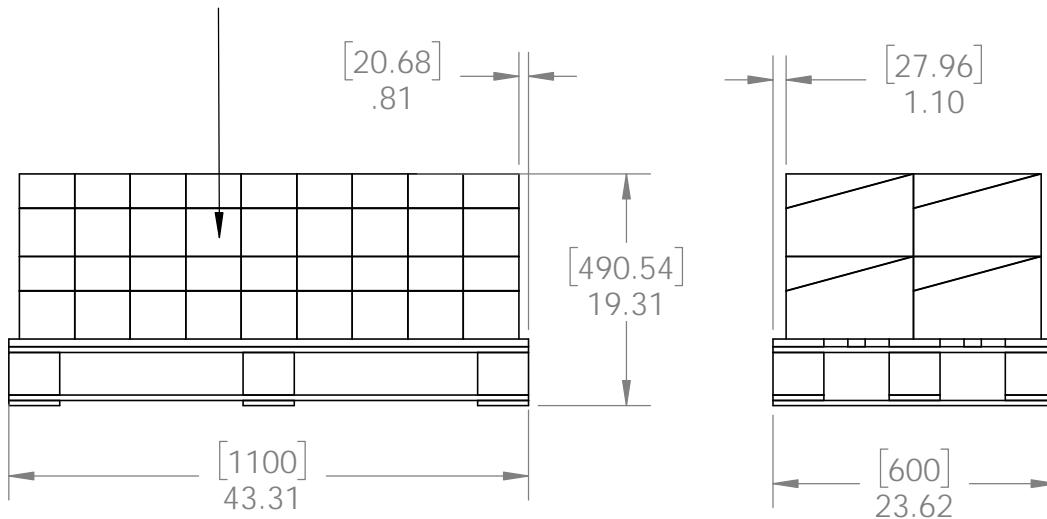
51789

# Product & Packaging Specs

51789 Packing

Item #: Pallet packing

ADD NEW PALLET LABEL



additional pallet packing instructions  
 plywood on top layer  
 strap to pallet  
 clear wrap around boxes

Weight: 620 LBS  
 Scale: 1:16  
 Last updated: 10/10/2016

51789