



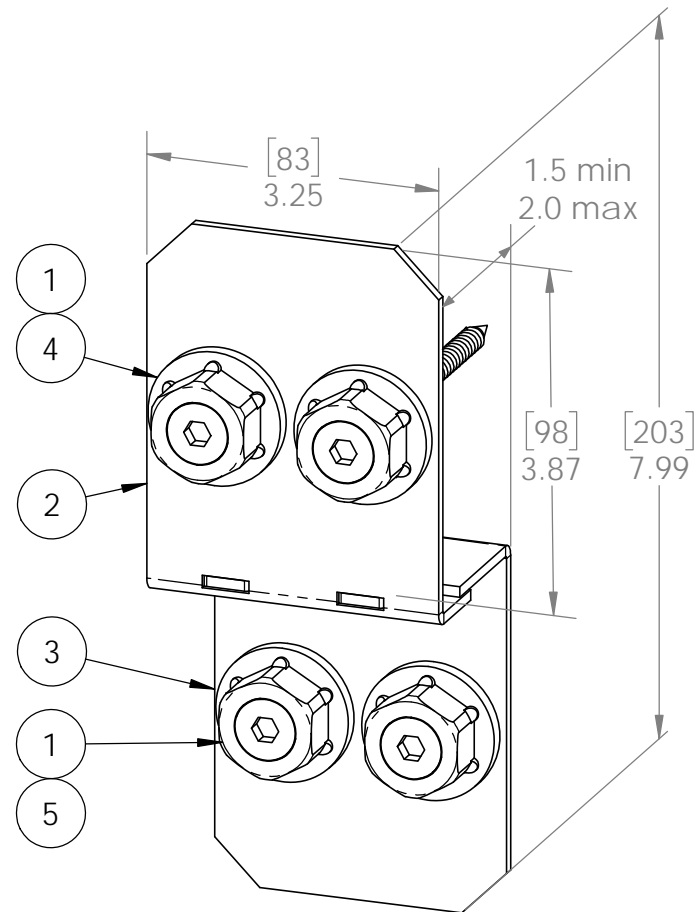
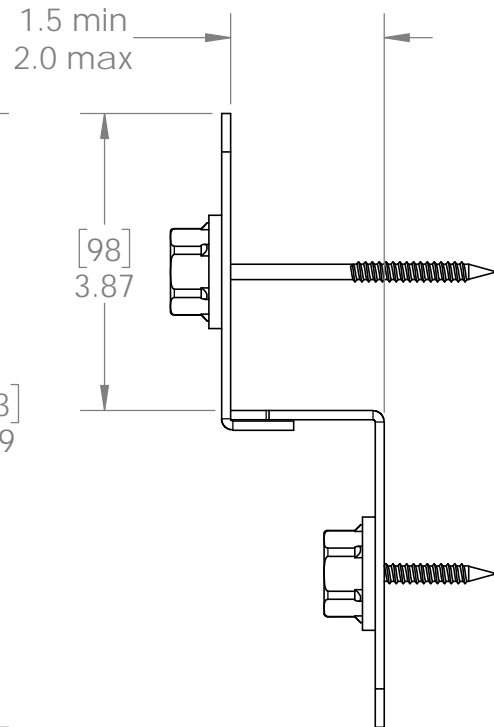
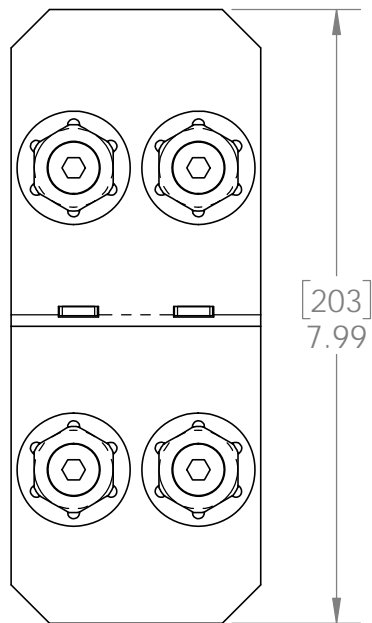
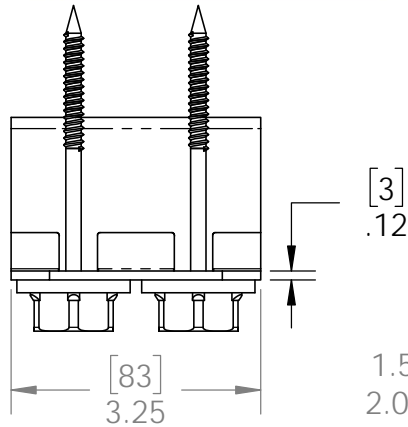
OZCO BUILDING PRODUCTS

Product & Packaging Specs

4" Post to Beam (P2B-IW-4)

Item #: 51775

ITEM NO.	QTY.	PART NUMBER	DESCRIPTION
1	0.4	56621	1 1/2" Hex Cap Nut (HCN)
2	1	51775-12	Plate, 4" Post to Beam (P2B-IW-4)
3	1	51775-11	Ledge, 4" Post to Beam (P2B-IW-4)
4	0.08	56627	OWT Timber Screw 3-3/4"
5	0.08	56625	OWT Timber Screw 1-3/4"



Weight: 1.37 LBS
 Scale: 1:2.5
 Last updated: 10/10/2016

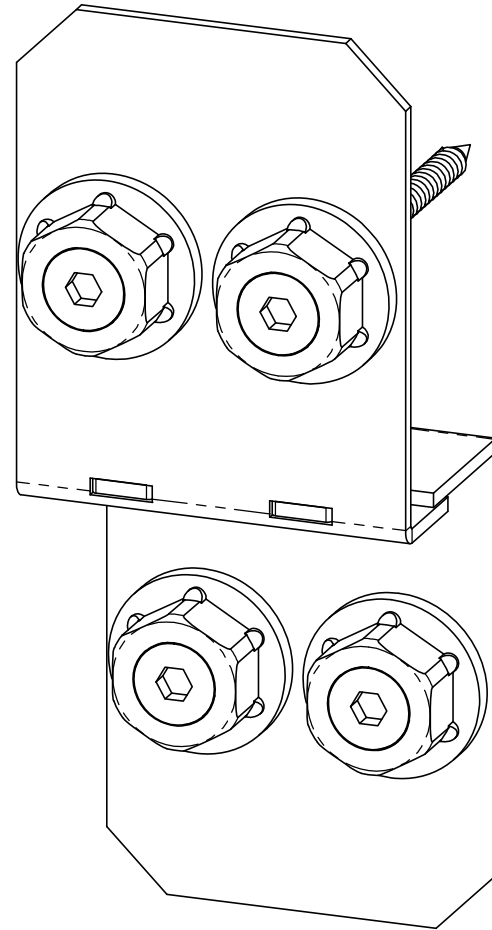
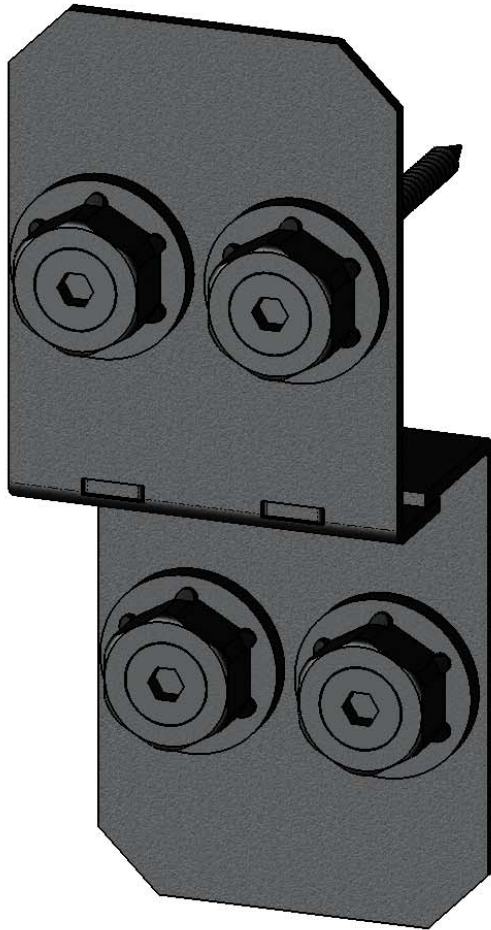
51775

kit includes 2 assemblies

Product & Packaging Specs

4" Post to Beam (P2B-IW-4)

Item #: 51775



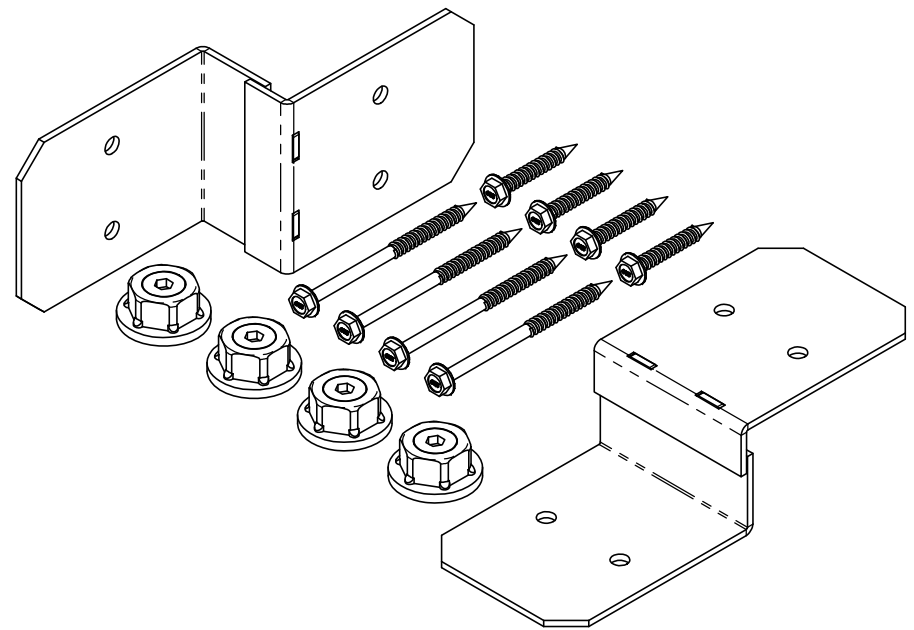
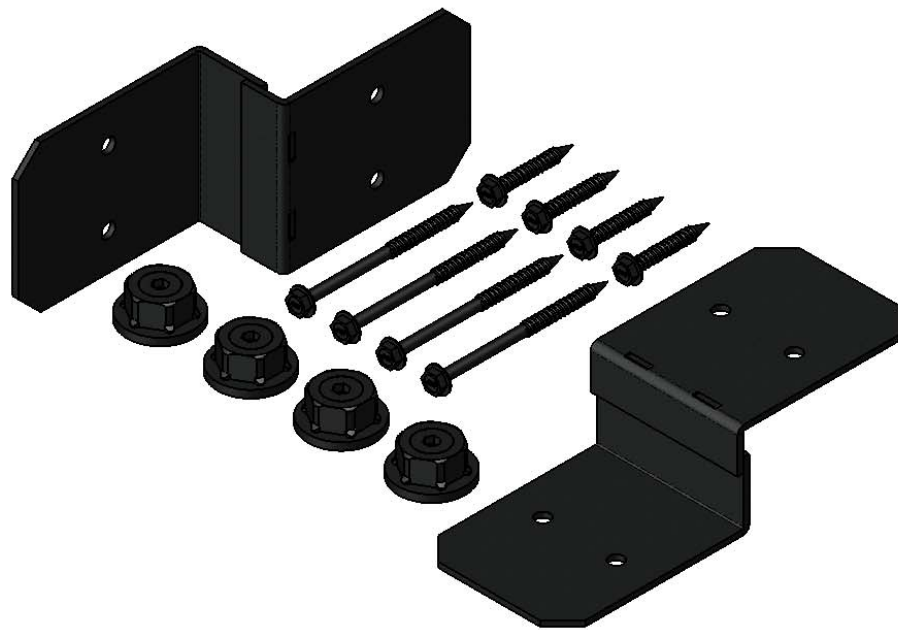
Weight: 1.37 LBS
Scale: 1:1.5
Last updated: 10/10/2016

51775

Product & Packaging Specs

4" Post to Beam (P2B-IW-4)

Item #: 51775



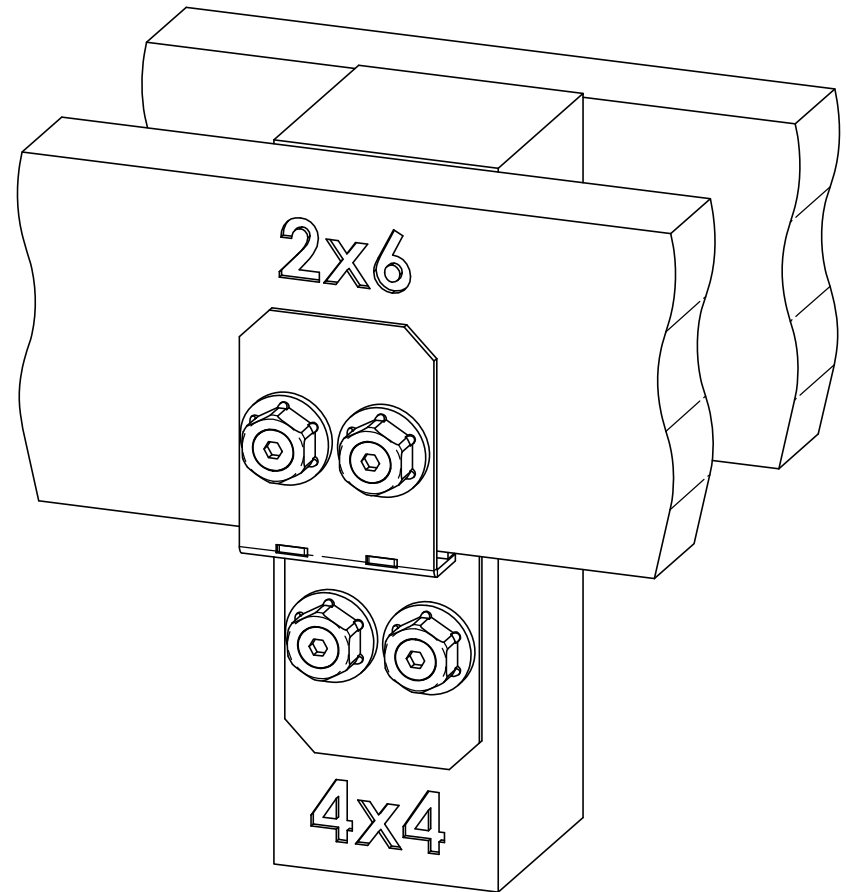
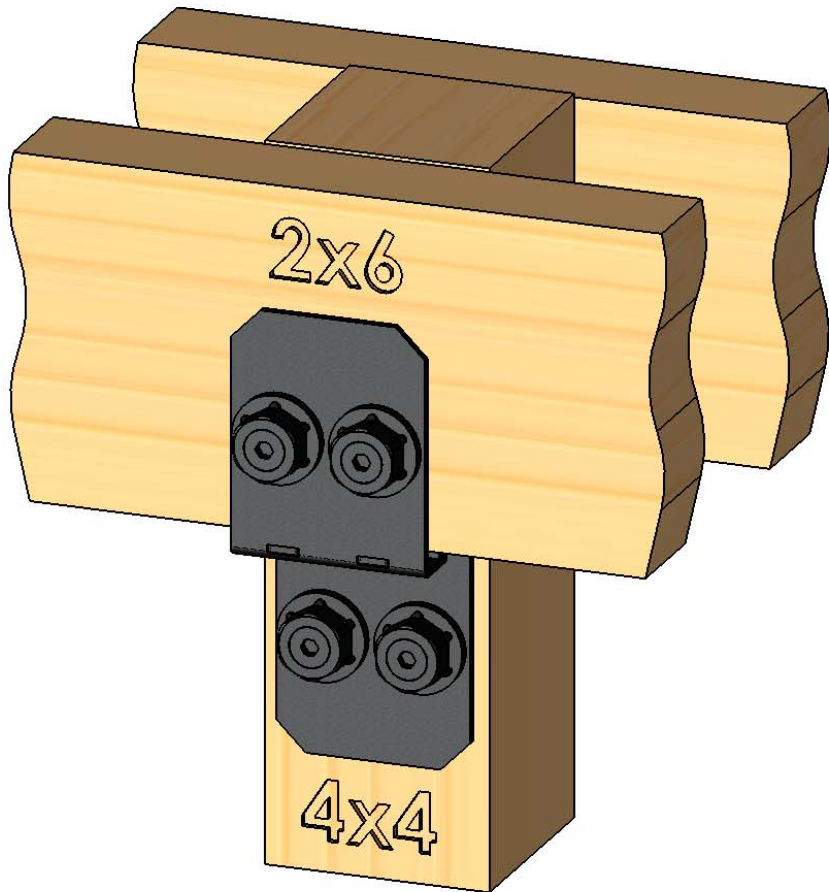
Weight: 2.57 LBS
Scale: 1:3
Last updated: 10/10/2016

51775

Product & Packaging Specs

4" Post to Beam

Item #: Typical Installation & Basic Assembly



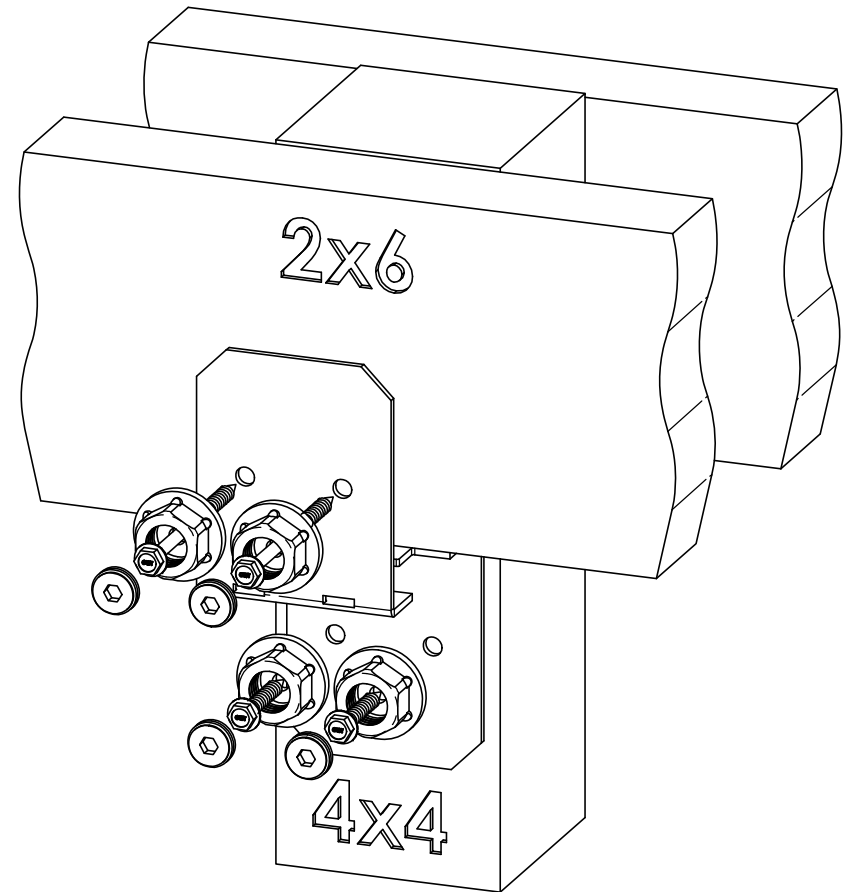
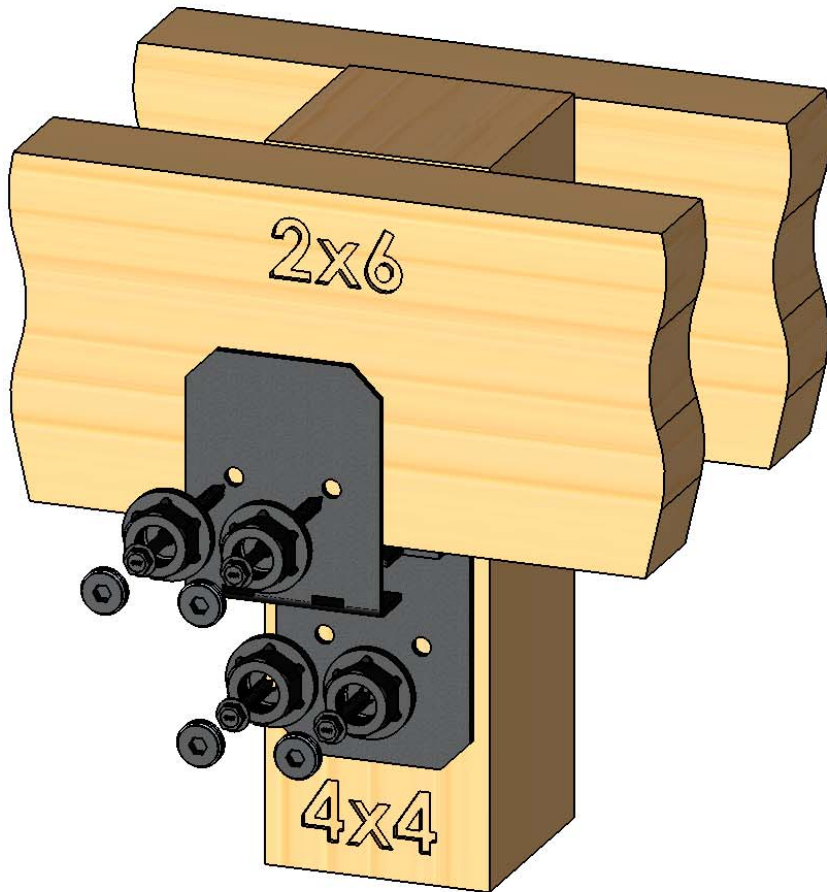
Weight: LBS
Scale: 1:3
Last updated: 10/10/2016

51775

Product & Packaging Specs

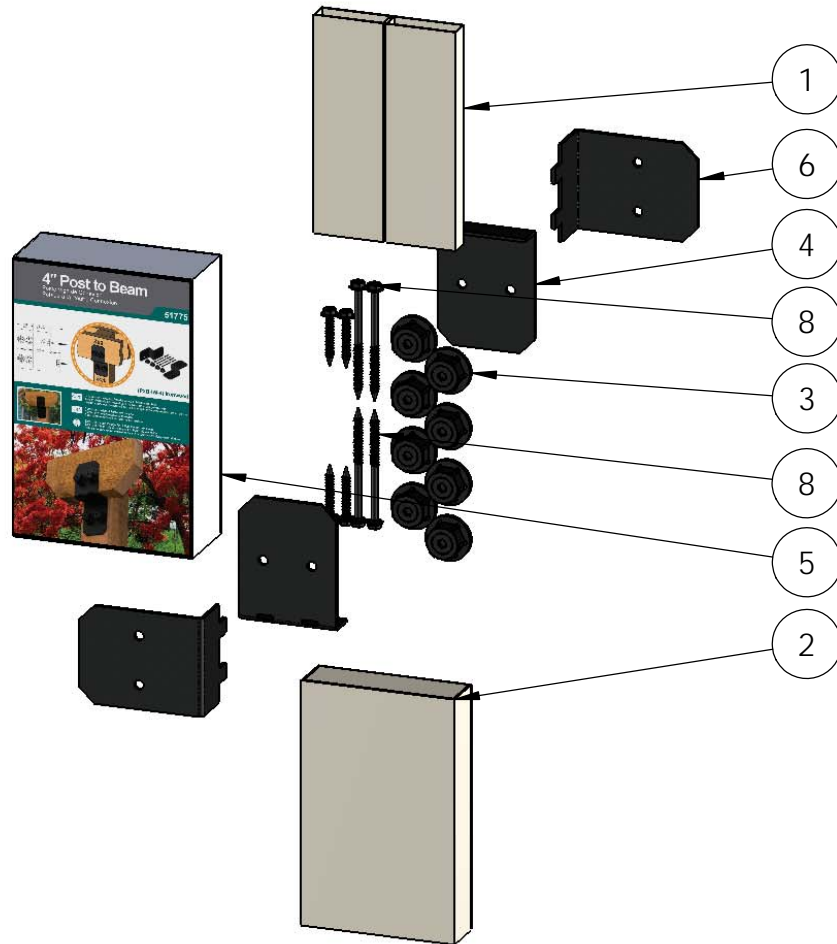
4" Post to Beam

Item #: Typical Installation & Basic Assembly



Weight: LBS
Scale: 1:3
Last updated: 10/10/2016

51775



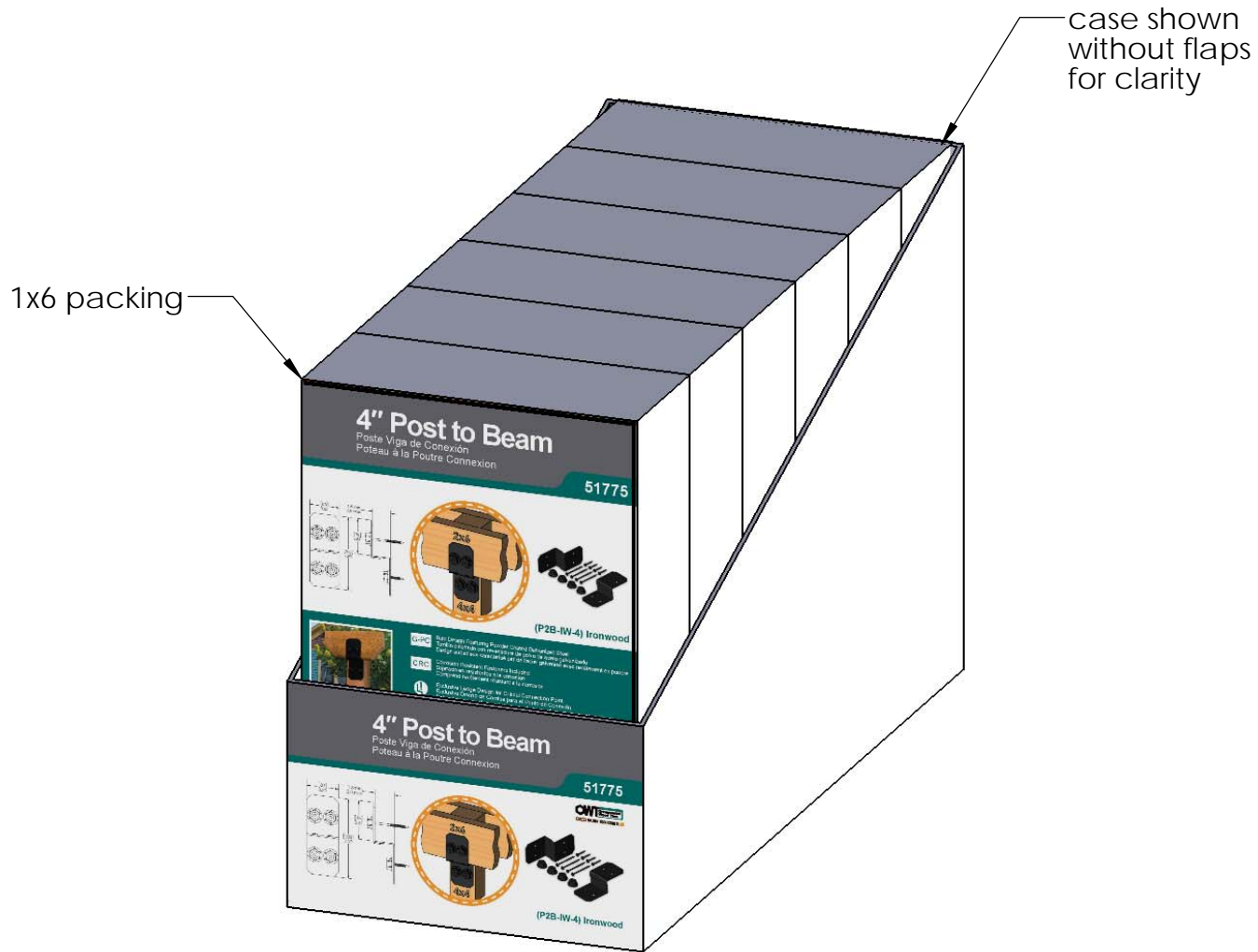
ITEM NO.	QTY.	PART NUMBER	DESCRIPTION
1	1	Insert, 56675	Insert, 56675
2	1	Box, 56675 Inner	Box, 56675 Inner
3	0.8	56621	1 1/2" Hex Cap Nut (HCN)
4	2	51775-12	Plate, 4" Post to Beam (P2B-IW-4)
5	1	Box, 51775	Box, 51775
6	2	51775-11	Ledge, 4" Post to Beam (P2B-IW-4)
7	0.16	56625	OWT Timber Screw 1-3/4"
8	0.16	56627	OWT Timber Screw 3-3/4"

Weight: 2.83 LBS
 Scale: 1:6
 Last updated: 10/10/2016

Product & Packaging Specs

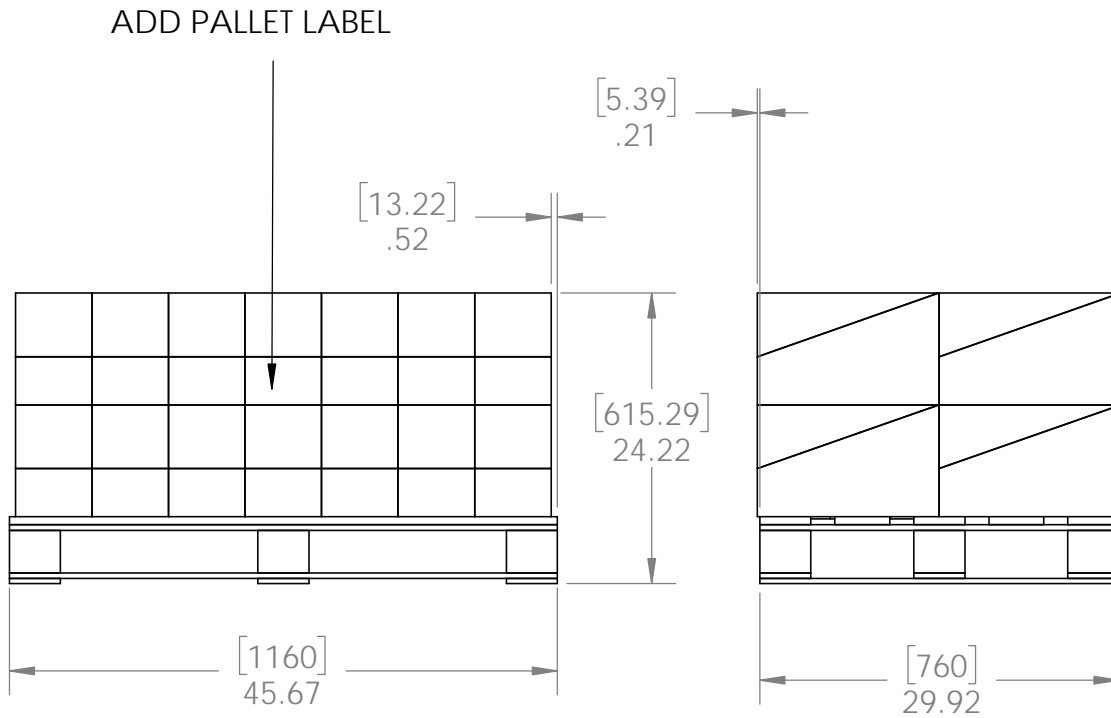
51775 Packing

Item #: Case packing

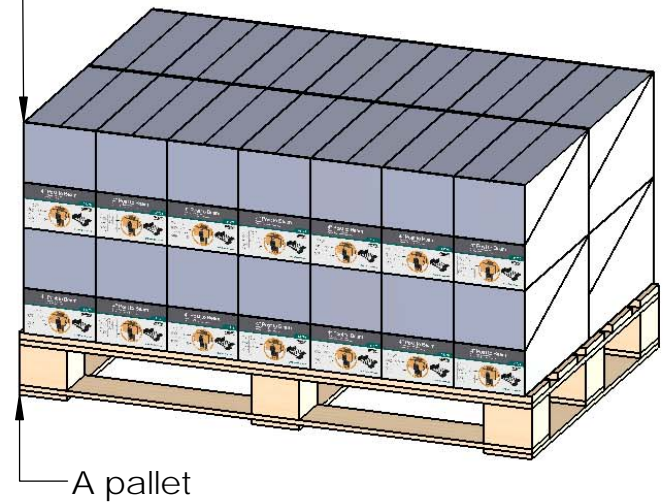


Weight: 16.5 LBS
 Scale: 1:3
 Last updated: 10/10/2016

51775



Total number of cases: 28
 Total number of pieces:
 $28 \times 6 = 168$ pieces on pallet



additional pallet packing instructions
 plywood on top layer
 strap to pallet
 clear wrap around boxes

Weight: 216 LBS
 Scale: 1:16
 Last updated: 10/10/2016

51775