



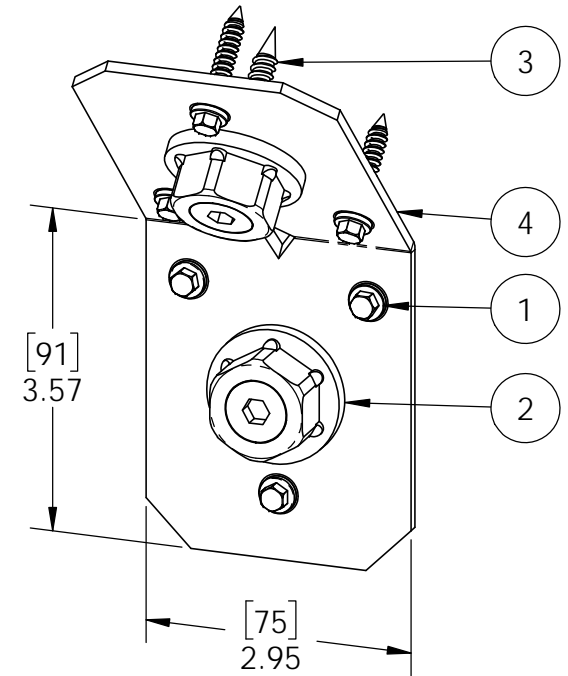
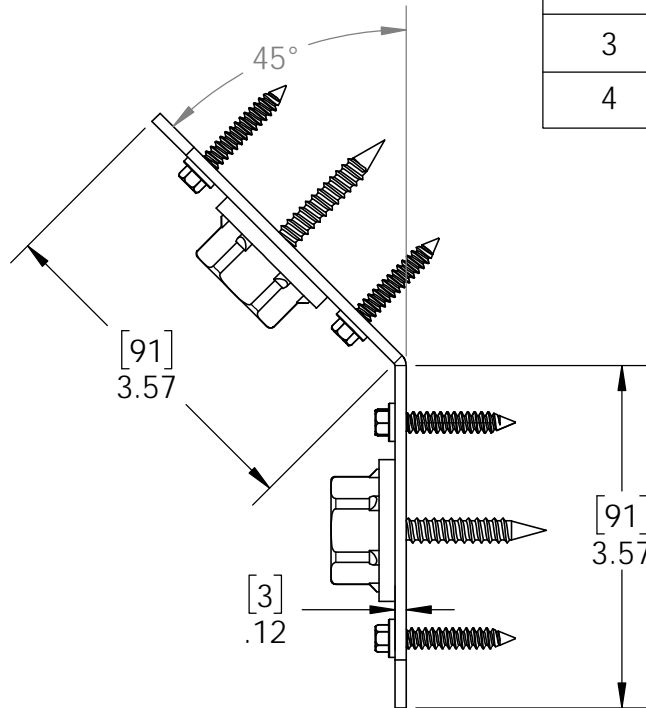
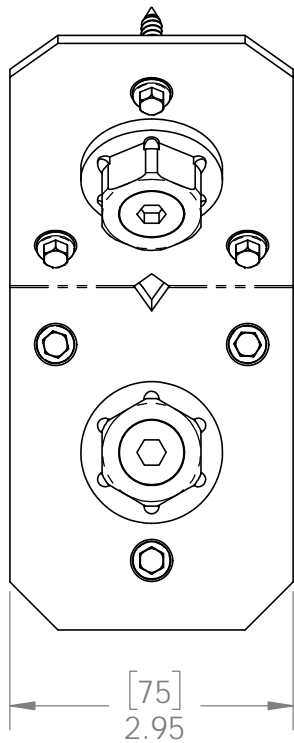
OZCO BUILDING PRODUCTS

Product & Packaging Specs

4" Flush Inside 45 (FI45-IW-4)

Item #: 51768

ITEM NO.	QTY.	PART NUMBER	DESCRIPTION
1	6	80060	Screw, 1-1/2"x1/4" Black Hex-Head (1-1/2-HX-SCR)
2	0.2	56621	1 1/2" Hex Cap Nut (HCN)
3	0.08	56625	OWT Timber Screw 1-3/4"
4	1	51768-10	Clip, 4" Flush Inside 45



This Package Includes



- Requires a 1/4" hex driver bit
- Exclusive high friction design
- No pre-drilling required

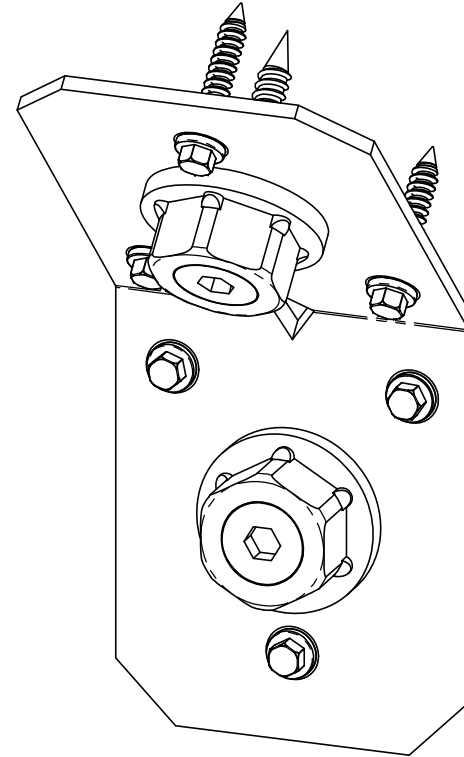
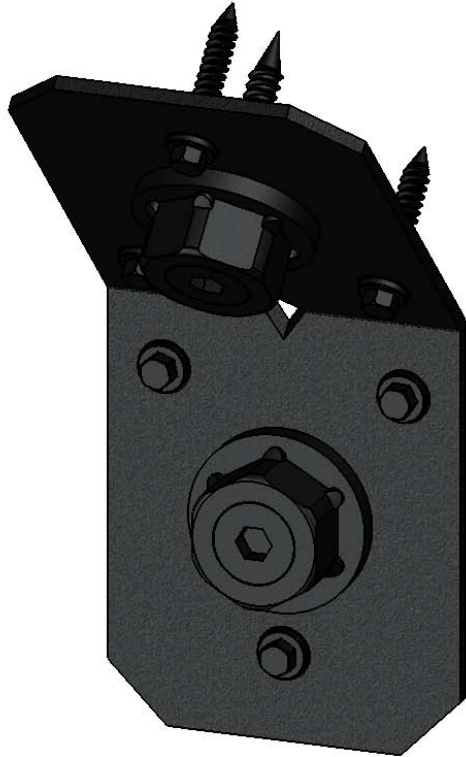
Weight: 0.80 LBS
 Scale: 1:2
 Last updated: 10/10/2016

51768

Product & Packaging Specs

4" Flush Inside 45 (FI45-IW-4)

Item #: 51768



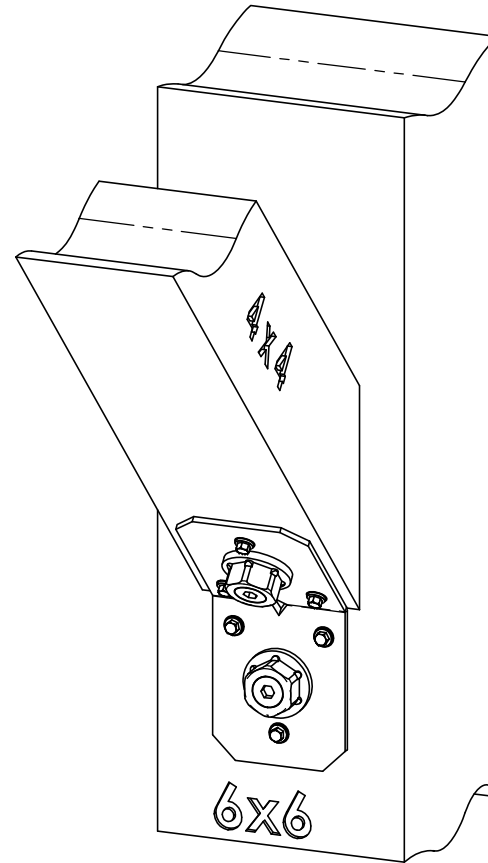
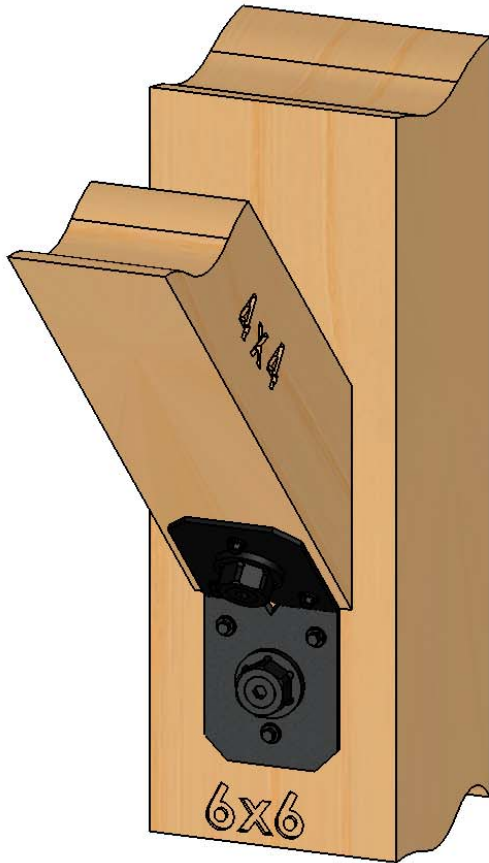
Weight: 0.80 LBS
Scale: 1:1.5
Last updated: 10/10/2016

51768

Product & Packaging Specs

4" Flush Inside 45 (FI45-IW-4)

Item #: Typical Installation & Basic Assembly



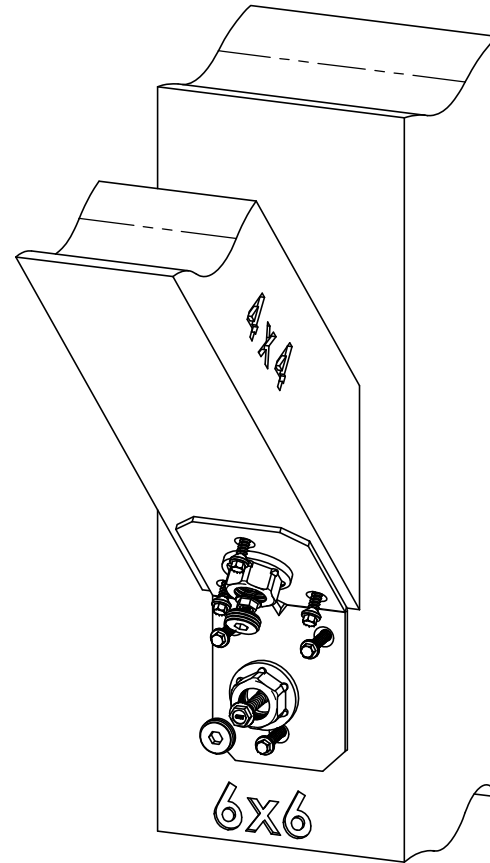
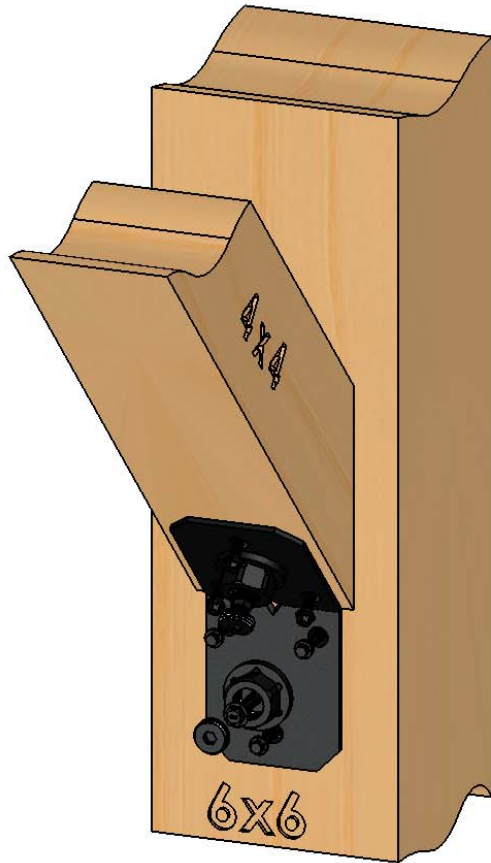
Weight: 0.80 LBS
Scale: 1:4
Last updated: 10/10/2016

51768

Product & Packaging Specs

4" Flush Inside 45 (FI45-IW-4)

Item #: Typical Installation & Basic Assembly



Weight: 0.80 LBS
Scale: 1:4
Last updated: 10/10/2016

51768



OZCO BUILDING PRODUCTS

Product & Packaging Specs

Screw, 1-1/2"x1/4"

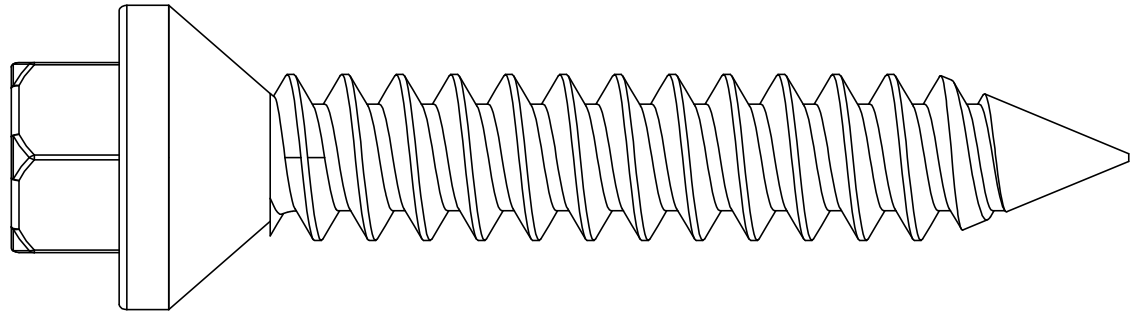
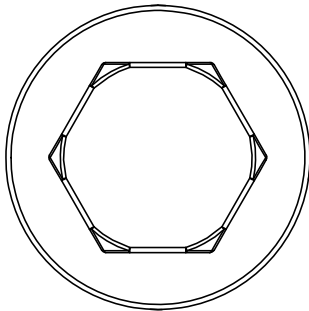
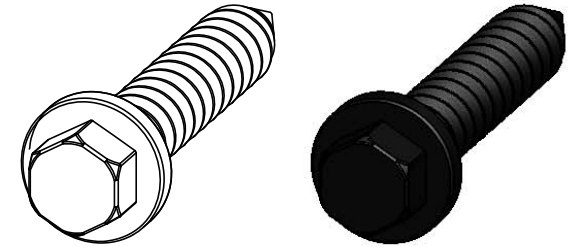
Black Hex-Head (1-1/2-HX-SCR)

Item #: 80060

This Package Includes



- Requires a 1/4" hex driver bit
- Exclusive high friction design
- No pre-drilling required



Material: Plain Carbon Steel
Finish: Black Zinc
Weight: 0.01 LBS
Scale: 4:1
Last updated: 10/10/2016

for additional details, see drawing #80060

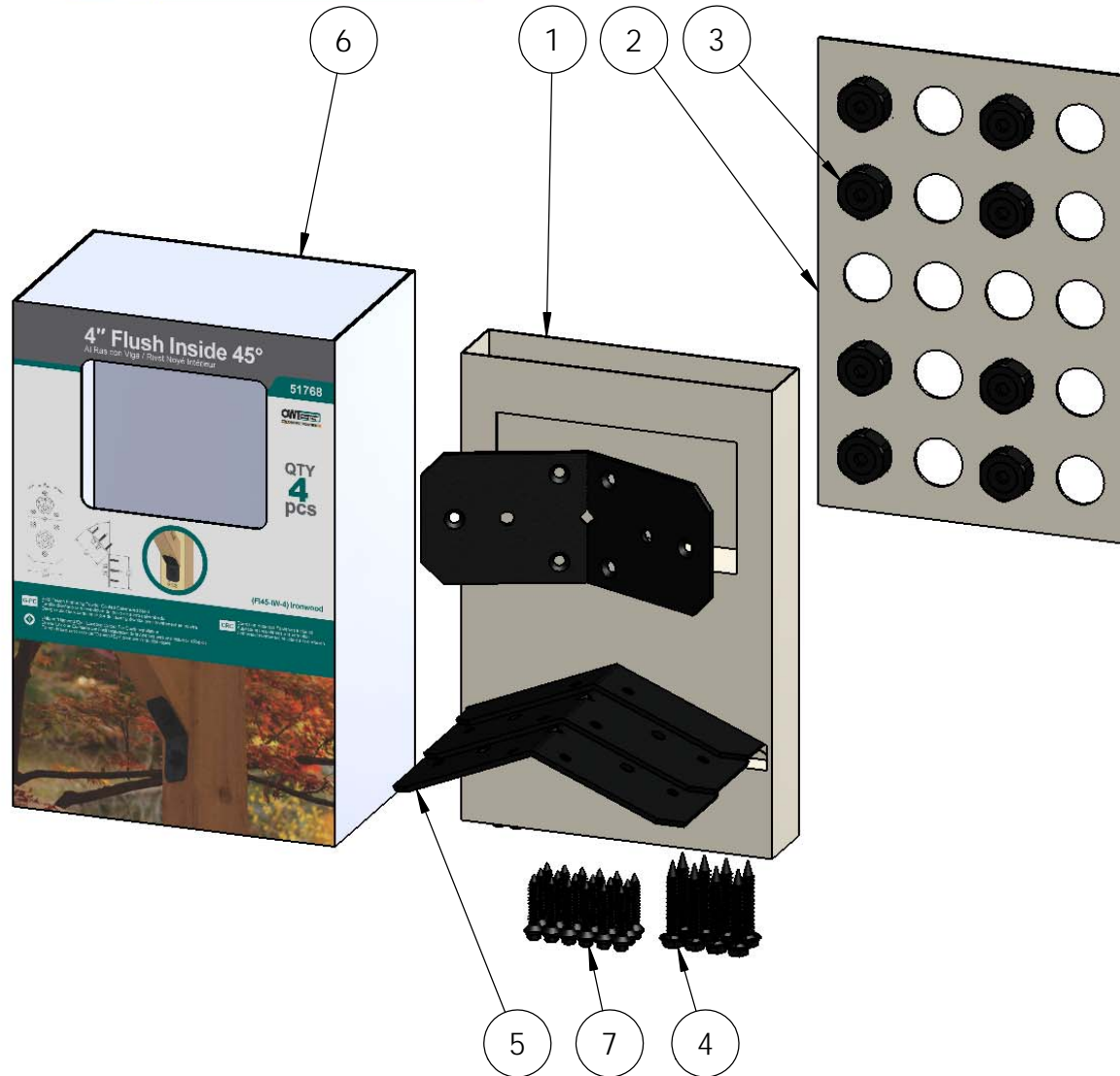
51768

V2.00 - Installation Instructions, Specifications and Project Plans are effective 10/10/2016 . This information is updated periodically 6 and should not be relied upon after 2 years from 10/10/2016 . Please visit OZCOBP.com to get current information.

Product & Packaging Specs

51768 Packing

Item #: Box packing



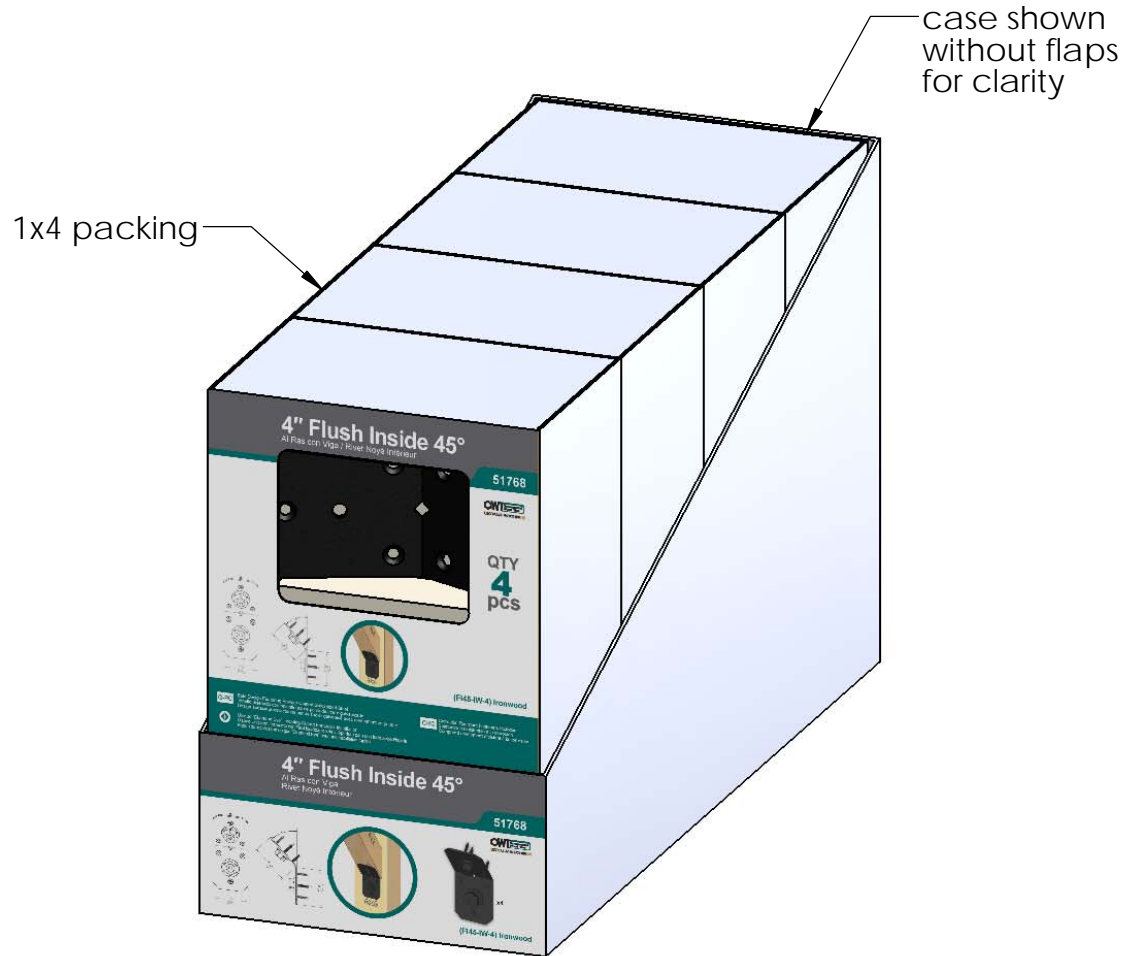
ITEM NO.	QTY.	PART NUMBER	DESCRIPTION
1	1	Insert, 56668	Insert, 56668 #1
2	1	Insert, 56668	Insert, 56668 #2
3	0.8	56621	1 1/2" Hex Cap Nut (HCN)
4	0.32	56625	OWT Timber Screw 1-3/4"
5	4	51768-10	Clip, 4" Flush Inside 45
6	1	Box, 51768	Box, 51768
7	24	80060	Screw, 1-1/2"x1/4" Black Hex-Head (1-1/2-HX-SCR)

Weight: 3.36 LBS
Scale: 1:4
Last updated: 10/10/2016

Product & Packaging Specs

51768 Packing

Item #: Box packing



Weight: 16.25 LBS
Scale: 1:4
Last updated: 10/10/2016

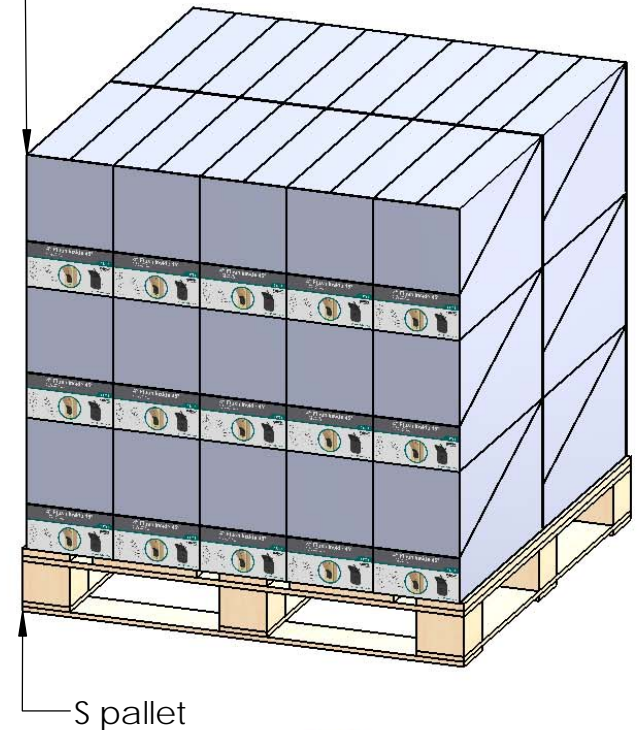
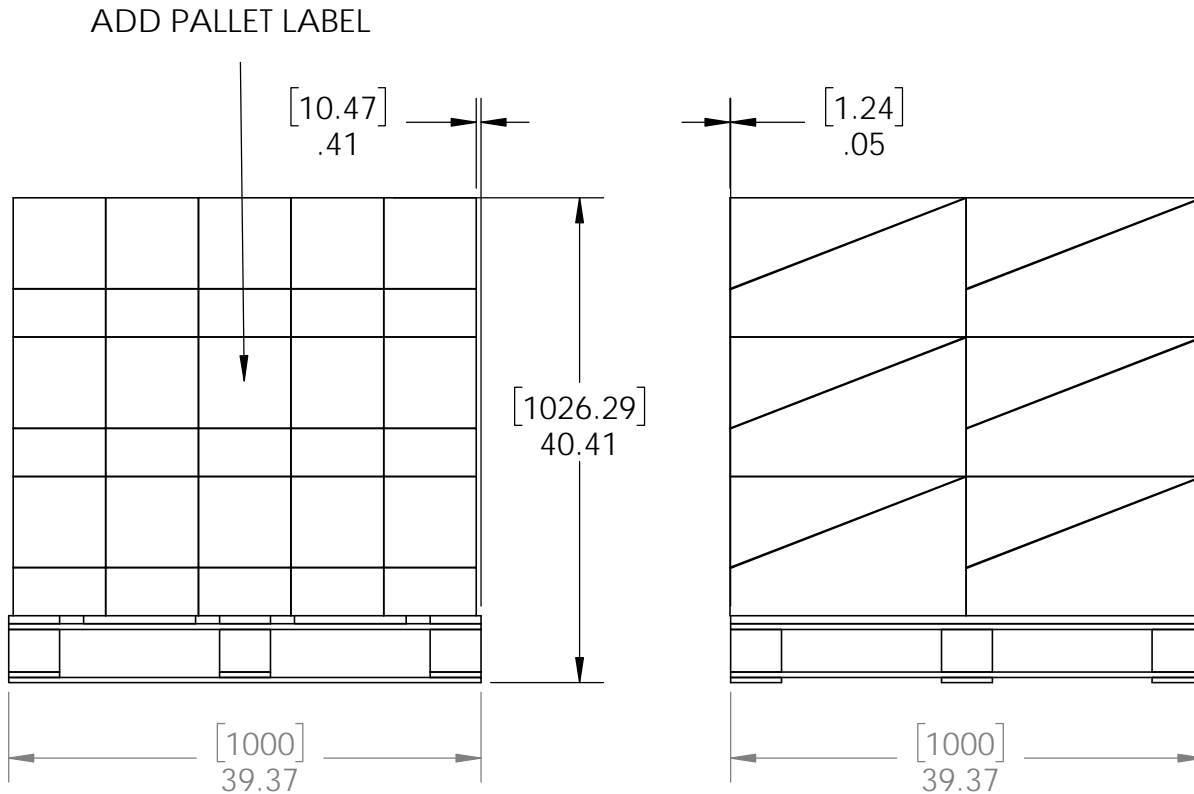
51768

Product & Packaging Specs

51768 Packing

Item #: Box packing

Total number of cases: 30
 Total number of pieces:
 30x4=120 pieces on pallet



additional pallet packing instructions
 plywood on top layer
 strap to pallet
 clear wrap around boxes

Weight: 230 LBS
 Scale: 1:16
 Last updated: 10/10/2016

51768