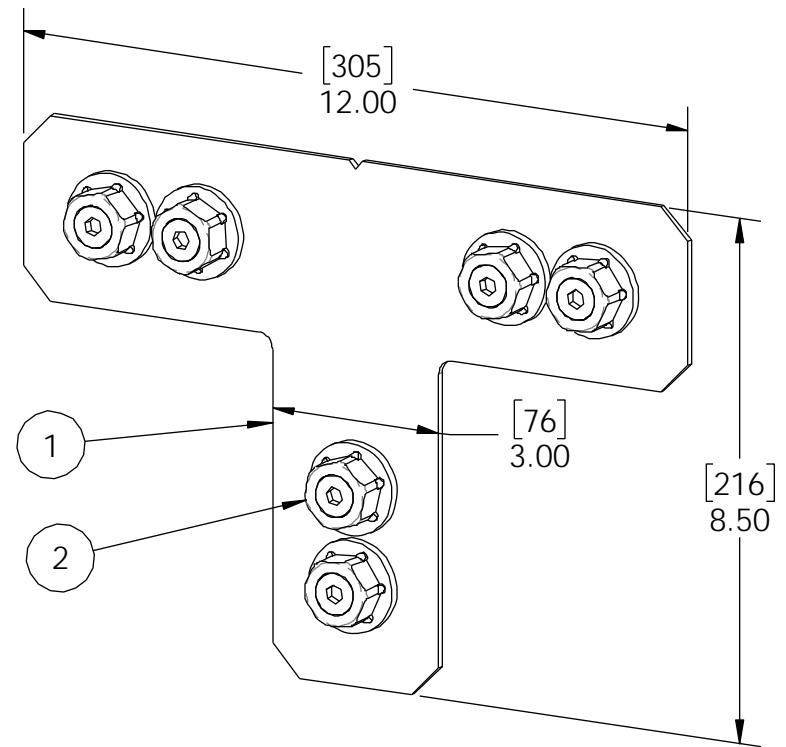
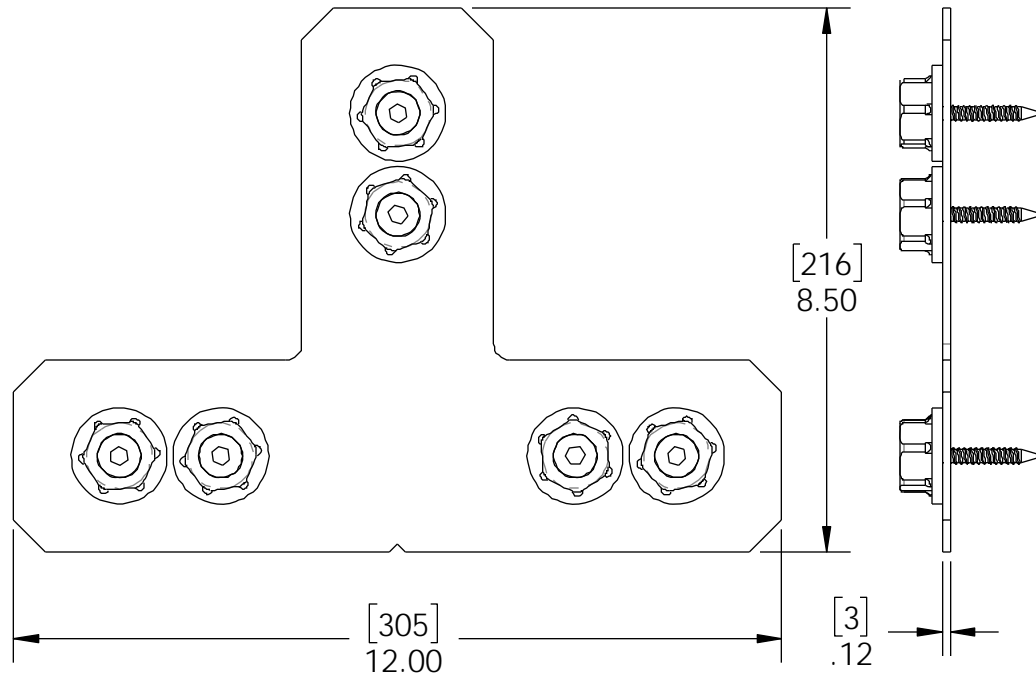


Product & Packaging Specs

T-Tie 4" Plate (TTP-IW-4)

Item #: 51766

ITEM NO.	QTY.	PART NUMBER	DESCRIPTION
1	1	51766	T-Tie 4" Plate
2	6	56625	Screw, OWT 1-3/4" (45mm) Timber with HCN
	6	56621	1 1/2" Hex Cap Nut (HCN)

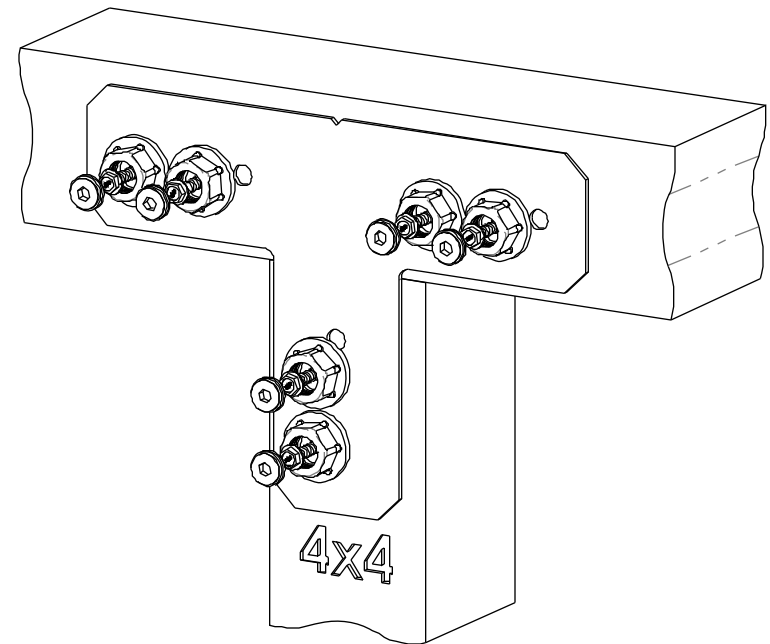
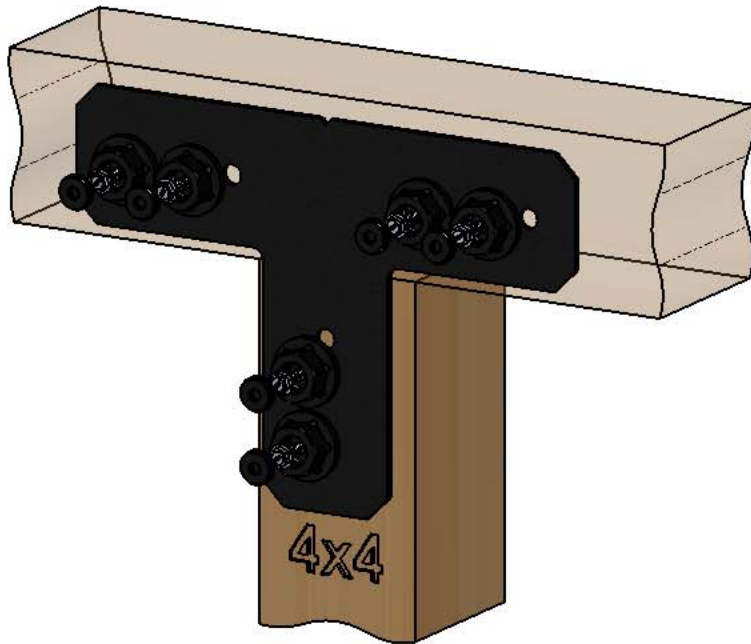


Weight: 2.06 LBS
 Scale: 1:3
 Last updated: 10/9/2020



Product & Packaging Specs

T-Tie 4" Plate (TTP-IW-4)
Item #: Typical Installation & Basic Assembly



Weight: 2.06 LBS
Scale: 1:4
Last updated: 10/9/2020

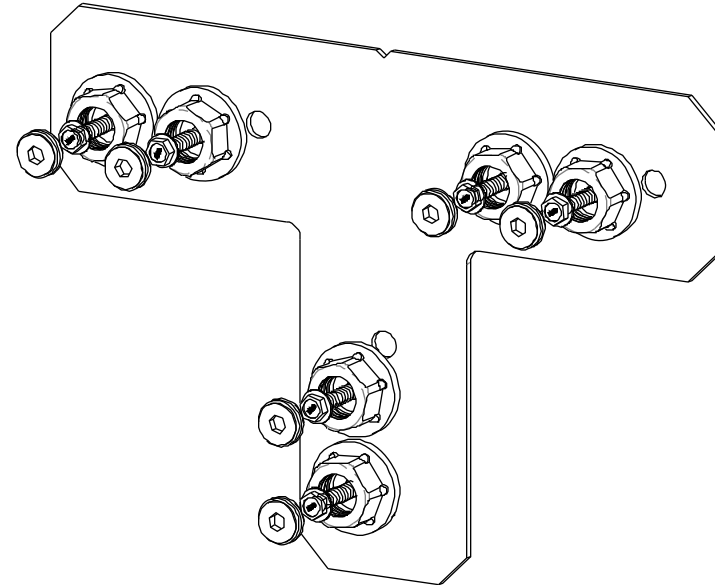
51766_TTP-HCN-4-IWL_ProductSpecSheets



Product & Packaging Specs

T-Tie 4" Plate (TTP-IW-4)

Item #: 51766



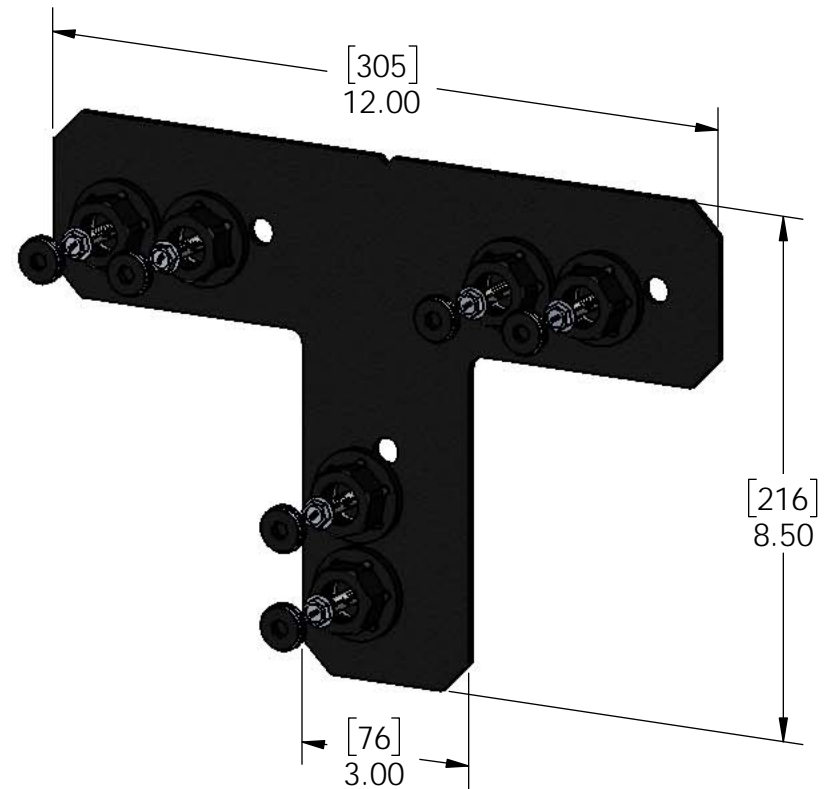
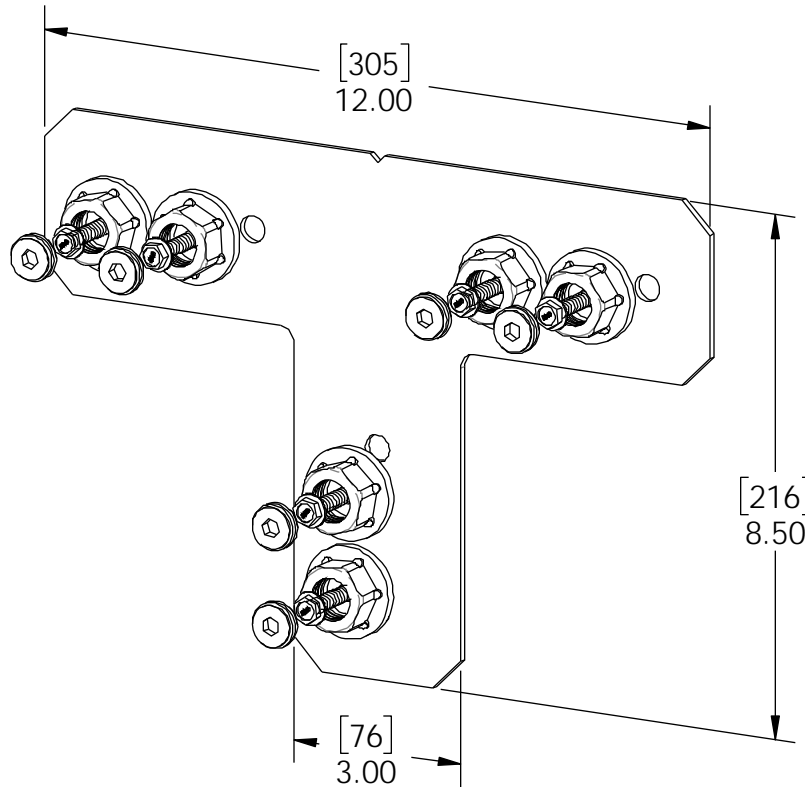
Weight: 2.06 LBS
Scale: 1:4
Last updated: 10/9/2020

51766_TTP-HCN-4-IWL_ProductSpecSheets

Product & Packaging Specs

T-Tie 4" Plate (TTP-IW-4)

Item #: 51766



Weight: 2.06 LBS
 Scale: 1:4
 Last updated: 10/9/2020

51766_TTP-HCN-4-IWL_ProductSpecSheets



Product & Packaging Specs

OWT-Lock #12 x 1-¼ Hex HD Sharp Point
Item #: 80060

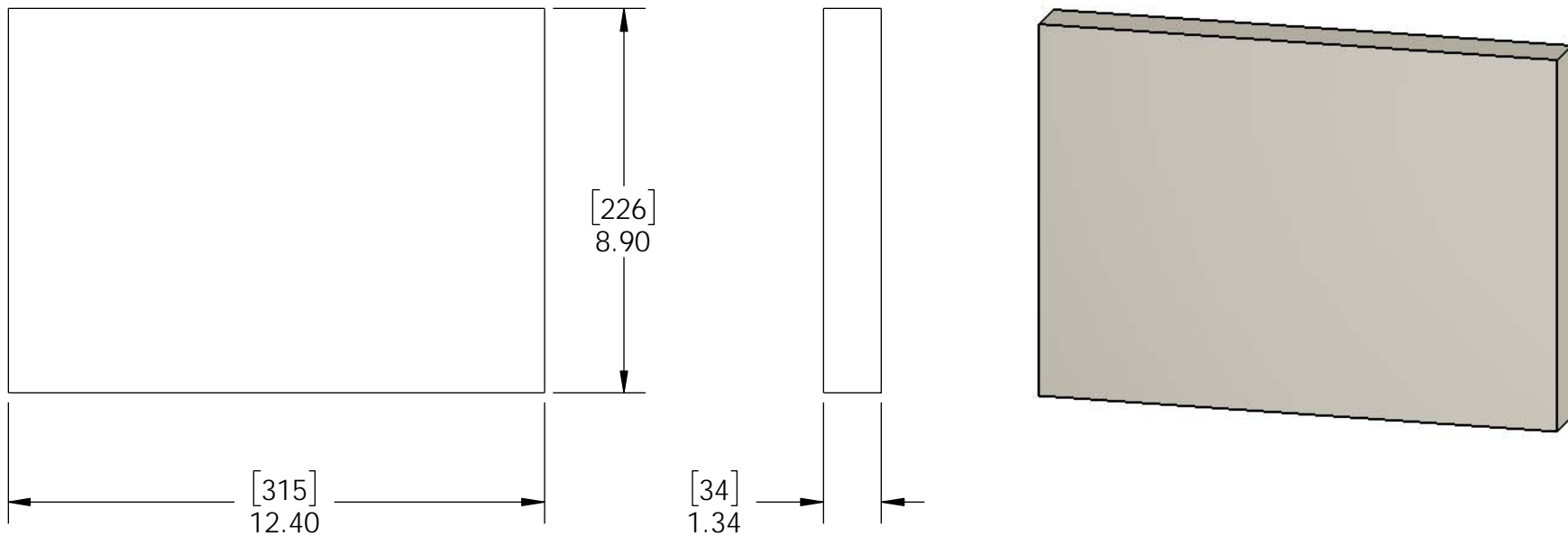


Material: Plain Carbon Steel
Finish: Black Zinc
Weight: 0.01 LBS
Scale: 4:1
Last updated: 10/9/2020

51766_TTP-HCN-4-IWL_ProductSpecSheets

for additional details, see drawing #80060

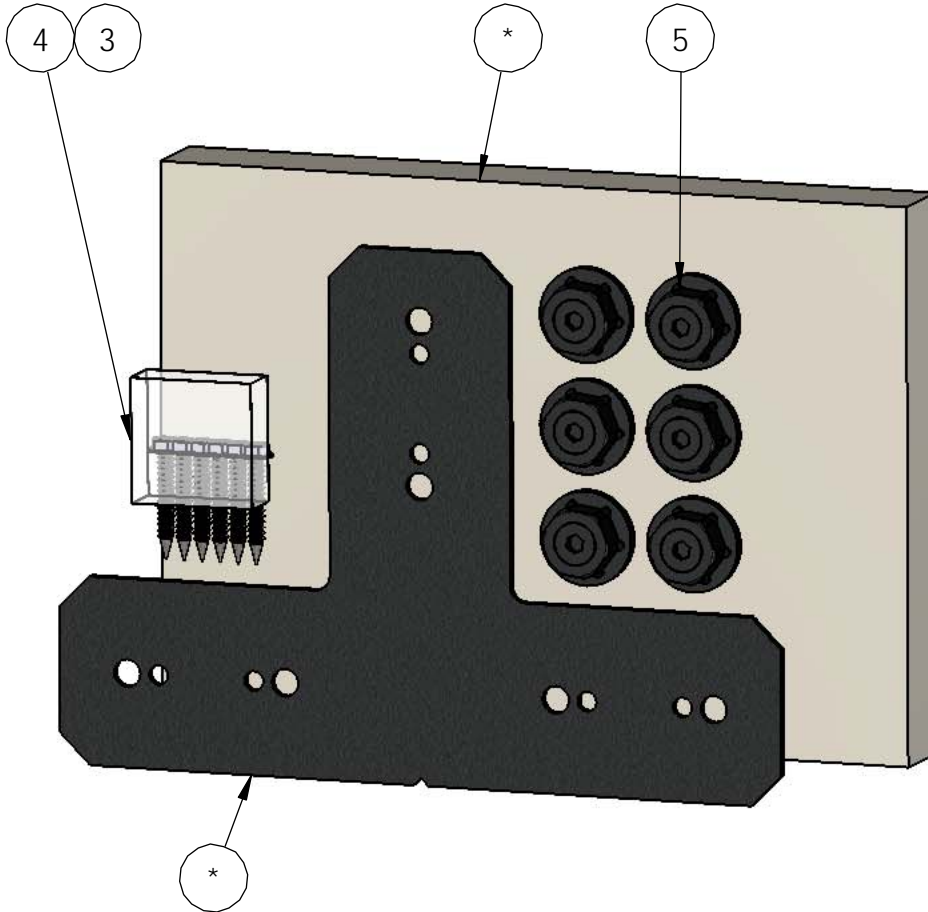
V2.00 - Installation Instructions, Specifications and Project Plans are effective 10/9/2020 . This information is updated periodically 11 and should not be relied upon after 2 years from 10/9/2020 . Please visit OZCOBP.com to get current information.



Material: Corrugated Paper
 Finish: See artwork
 Weight: 0.83 LBS
 Scale: 1:4
 Last updated: 10/9/2020

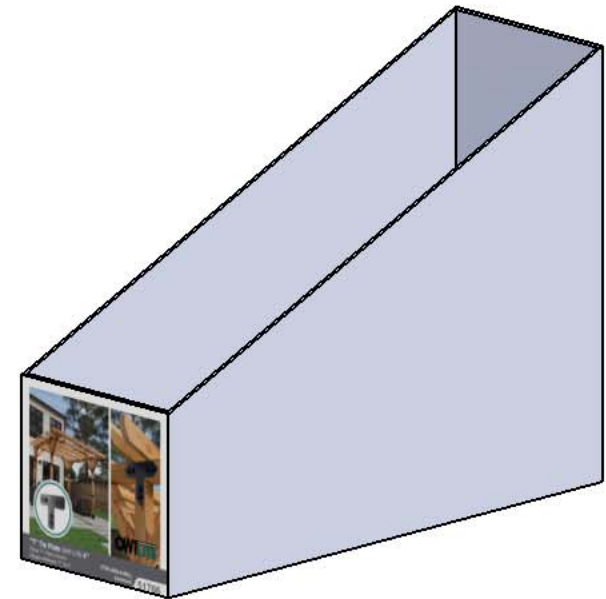
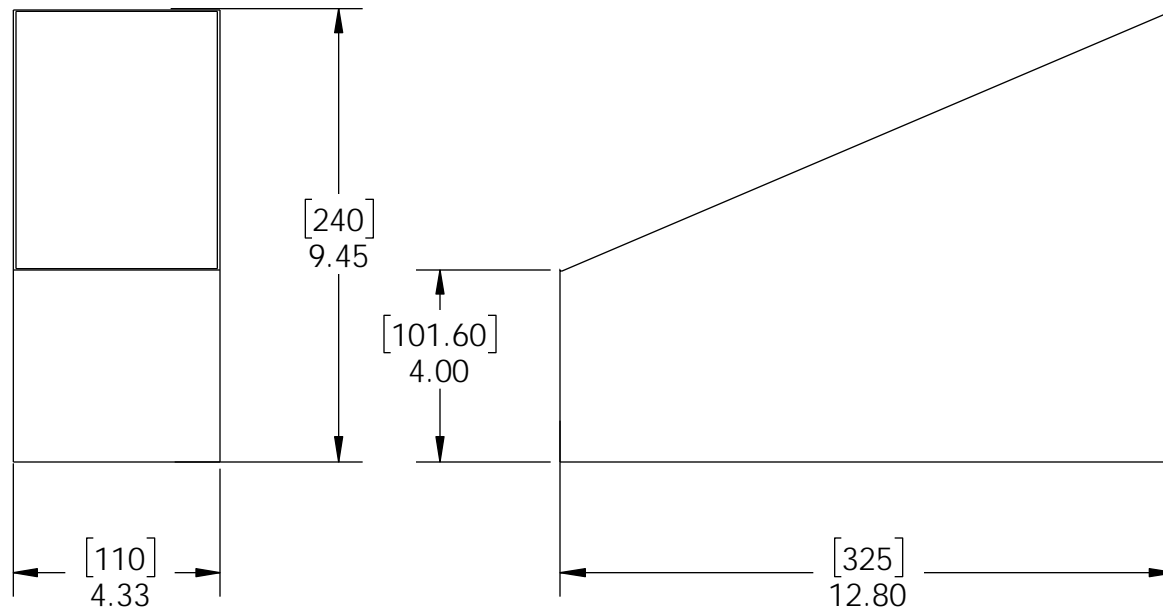
Product & Packaging Specs

51766 Packing
 Item #: Box packing



ITEM NO.	QTY.	PART NUMBER	DESCRIPTION
1	1	Box, 56666	Box, 56666
2	1	56666	T-Tie 4" Plate
3	6	56625	OWT Timber Screw 1-3/4"
4	1	Bag, 2x2 packing	Bag, 1x2 Packing
5	6	56621	1 1/2" Hex Cap Nut (HCN)

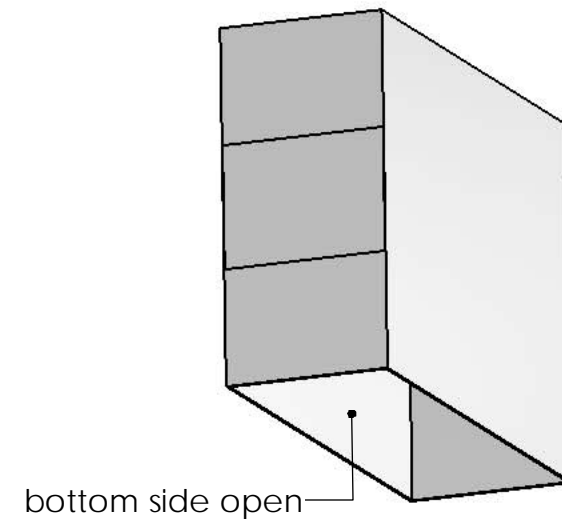
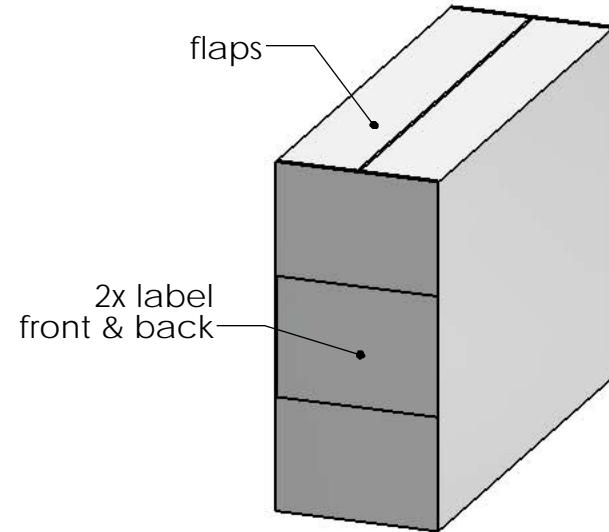
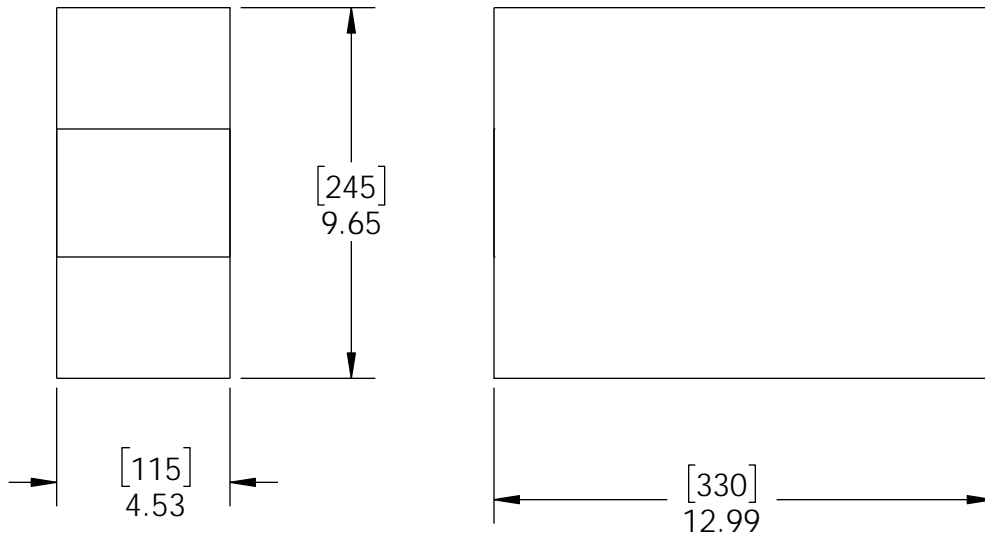
Weight: 2 LBS
 Scale: 1:3
 Last updated: 10/9/2020



Material: Corrugated Paper
 Finish: See artwork
 Weight: 0.13 LBS
 Scale: 1:4
 Last updated: 10/9/2020

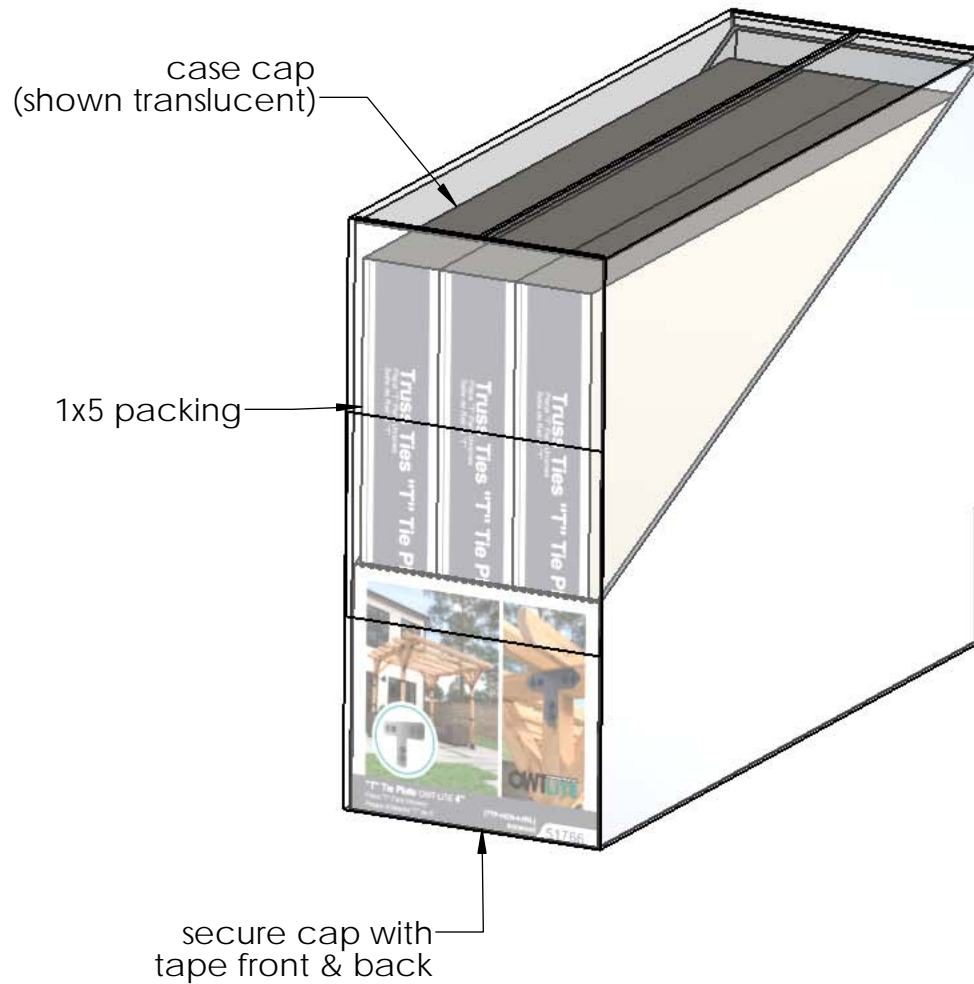
Product & Packaging Specs

Case, Cap 51766
 Item #: Case



Material: Corrugated Paper
 Finish: See artwork
 Scale: 1:5
 Last updated: 10/9/2020

51766_TTP-HCN-4-IWL_ProductSpecSheets



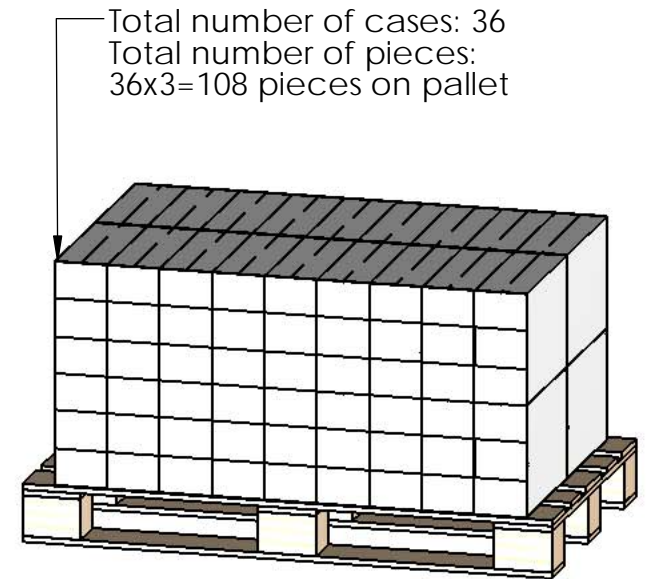
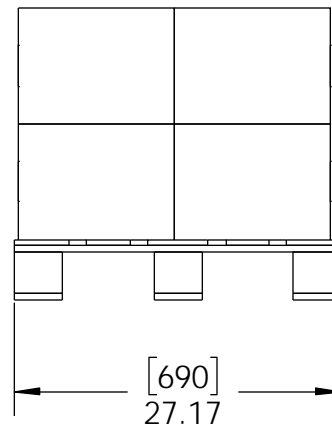
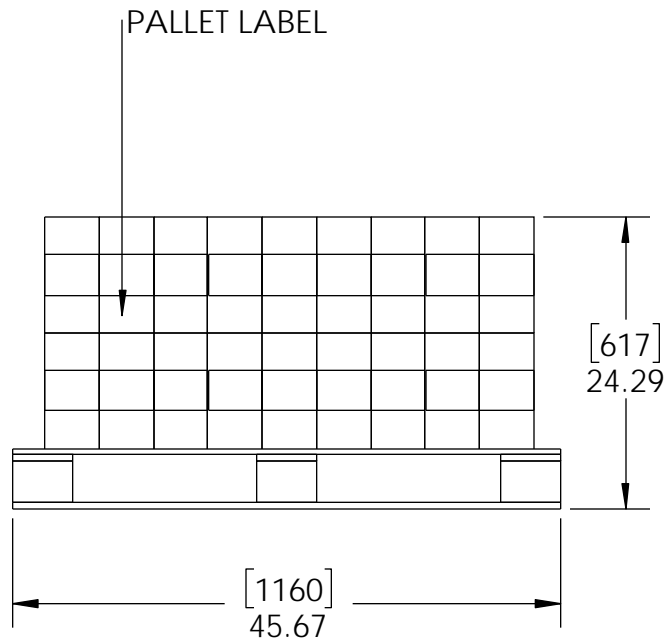
Weight: 8 LBS
Scale: 1:3
Last updated: 10/9/2020

51766_TTP-HCN-4-IWL_ProductSpecSheets

Product & Packaging Specs

51766 Packing

Item #: Pallet packing



Weight: 313 LBS
 Scale: 1:16
 Last updated: 10/9/2020

51766_TTP-HCN-4-IWL_ProductSpecSheets

additional pallet packing instructions
 plywood on top layer
 strap to pallet
 clear wrap around boxes