

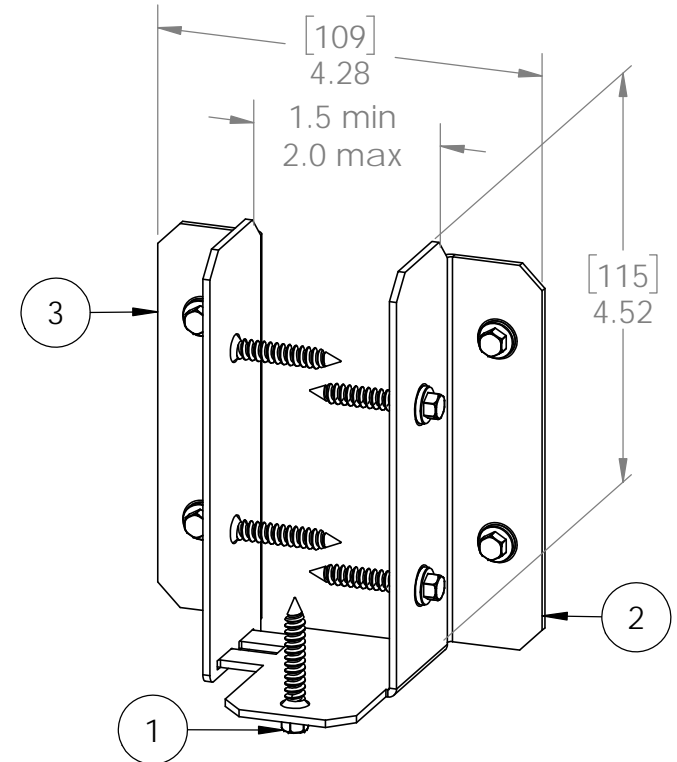
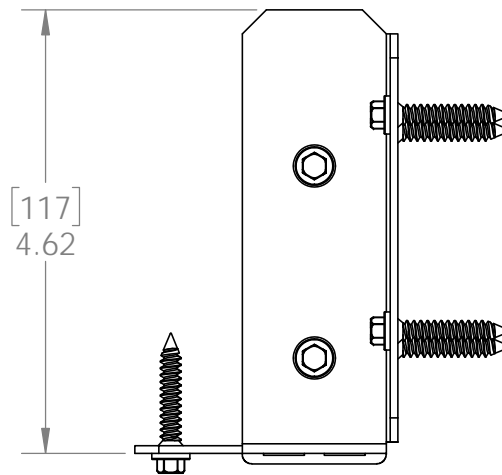
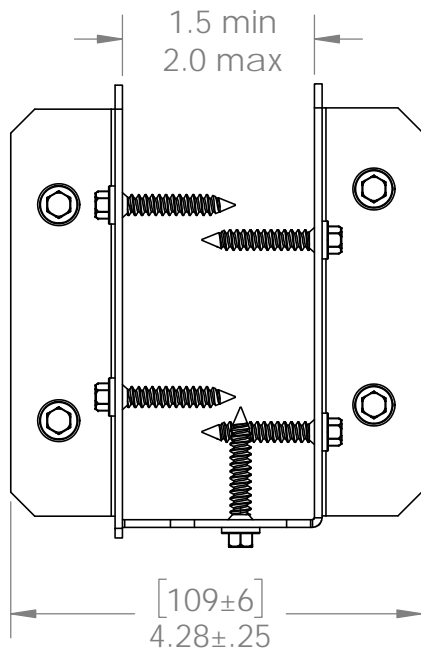
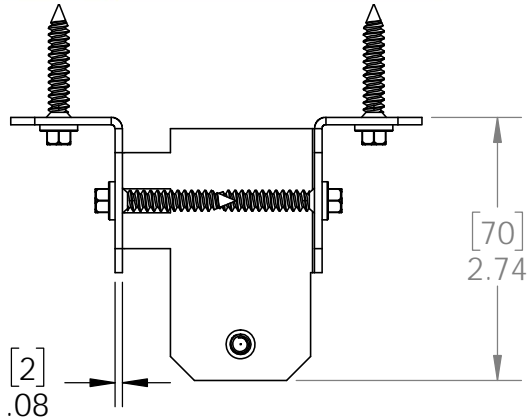


OZCO BUILDING PRODUCTS

# Product & Packaging Specs

## 6-8" Joist Hanger Flush (JHF-68-IW)

Item #: 51739



ITEM NO.	QTY.	PART NUMBER	DESCRIPTION
1	9	80060	Screw, 1-1/2"x1/4" Black Hex-Head (1-1/2-HX-SCR)
2	1	51739-11	Bracket, Joist Hanger
3	1	51739-12	Bracket, Joist Hanger

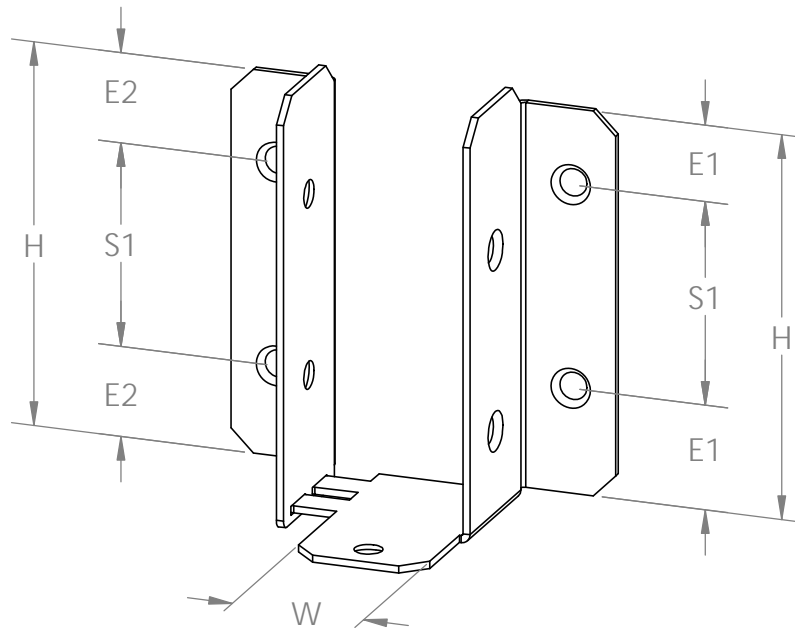
Weight: 0.61 LBS  
 Scale: 1:2  
 Last updated: 10/10/2016

51739

# Product & Packaging Specs

## 6-8" JOIST HANGER FLUSH

Item #: 51739



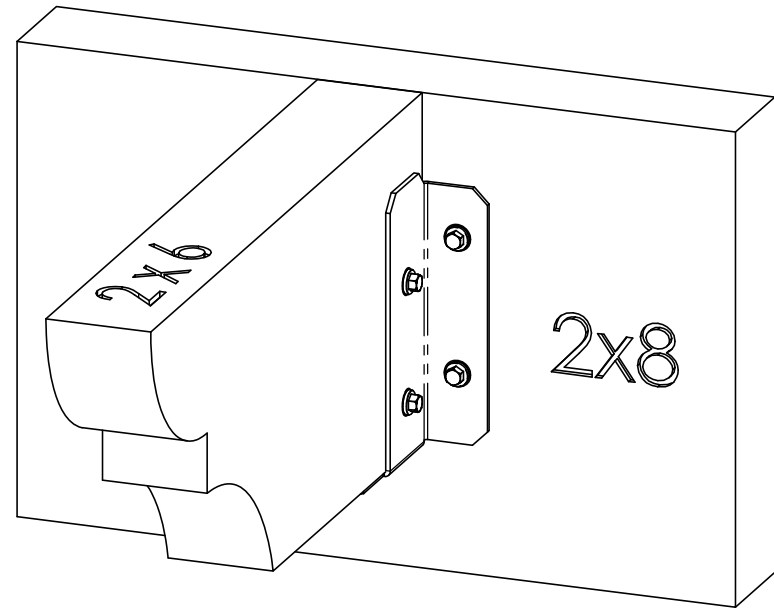
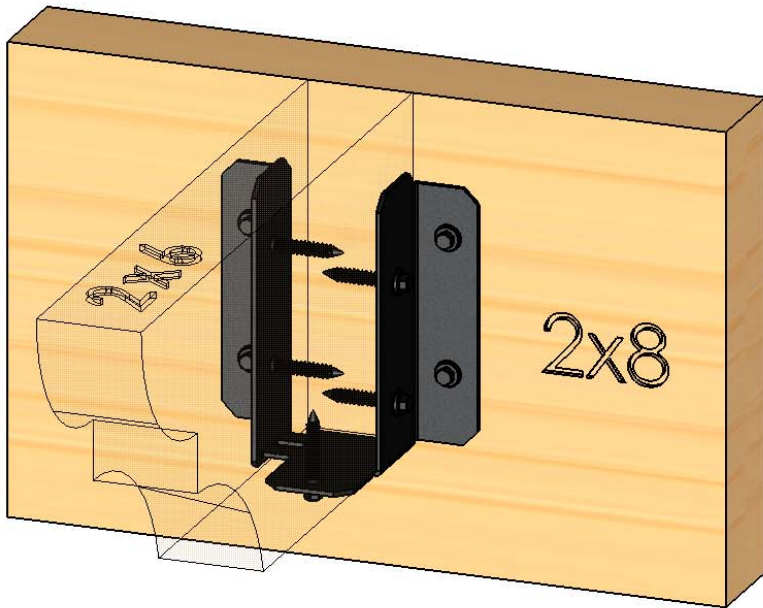
Weight: 0.60 LBS  
Scale: 1:2  
Last updated: 10/10/2016

51739

# Product & Packaging Specs

## 6-8" Joist Hanger Flush (JHF-68-IW)

Item #: 51739



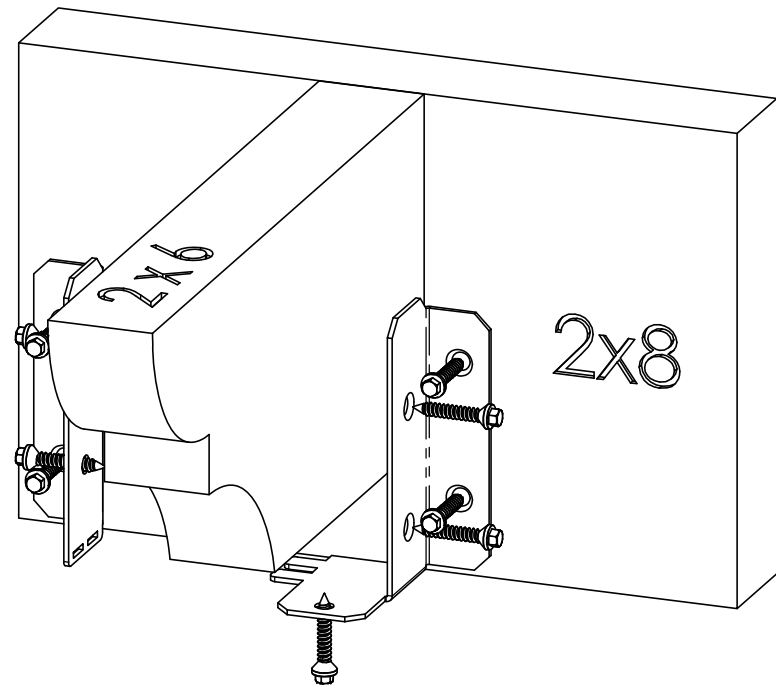
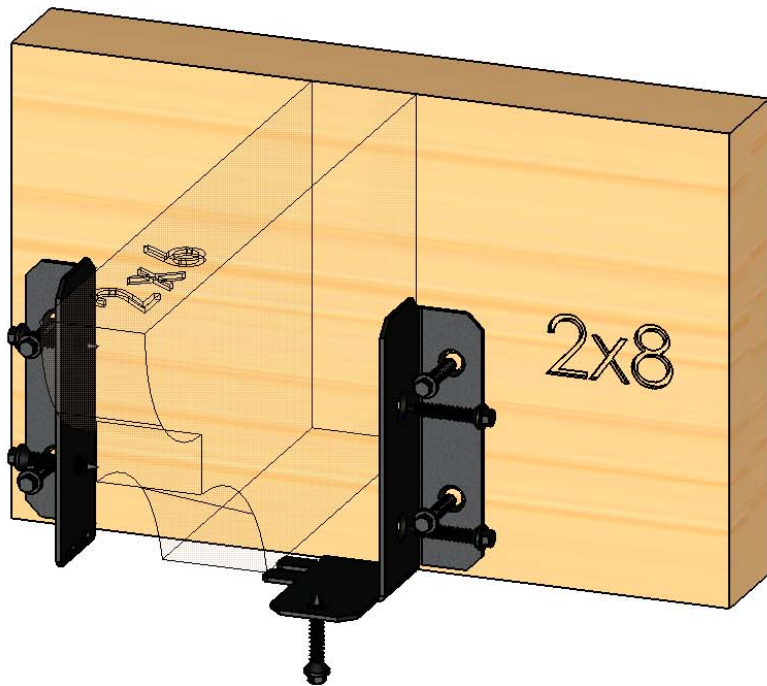
Weight: 0.61 LBS  
Scale: 1:3  
Last updated: 10/10/2016

51739

# Product & Packaging Specs

## 6-8" Joist Hanger Flush (JHF-68-IW)

Item #: 51739



Weight: 0.61 LBS  
Scale: 1:3  
Last updated: 10/10/2016

51739



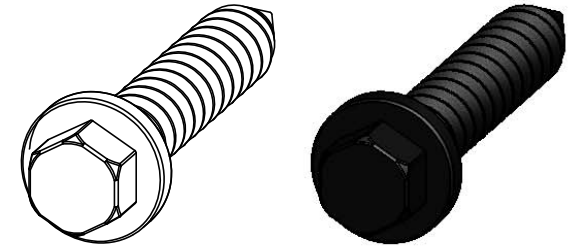
OZCO BUILDING PRODUCTS

# Product & Packaging Specs

## Screw, 1-1/2"x1/4"

### Black Hex-Head (1-1/2-HX-SCR)

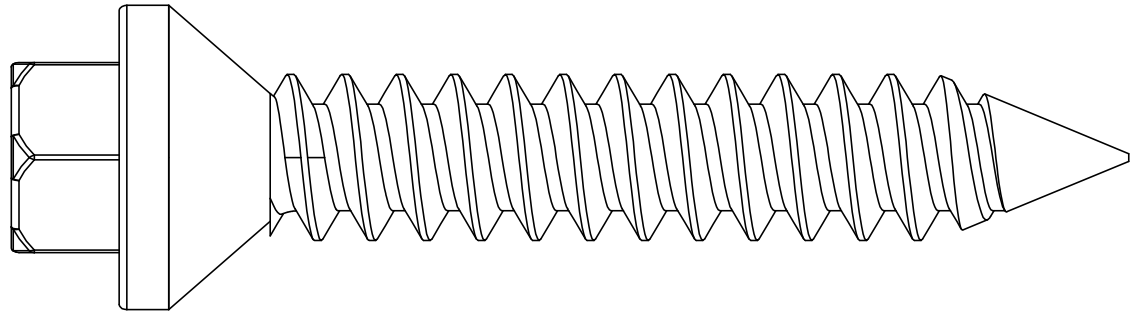
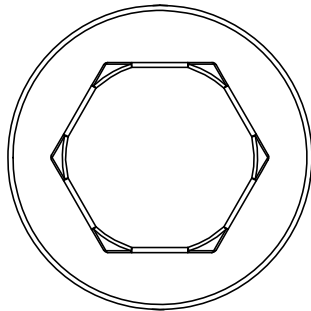
Item #: 80060



This Package Includes



- Requires a 1/4" hex driver bit
- Exclusive high friction design
- No pre-drilling required

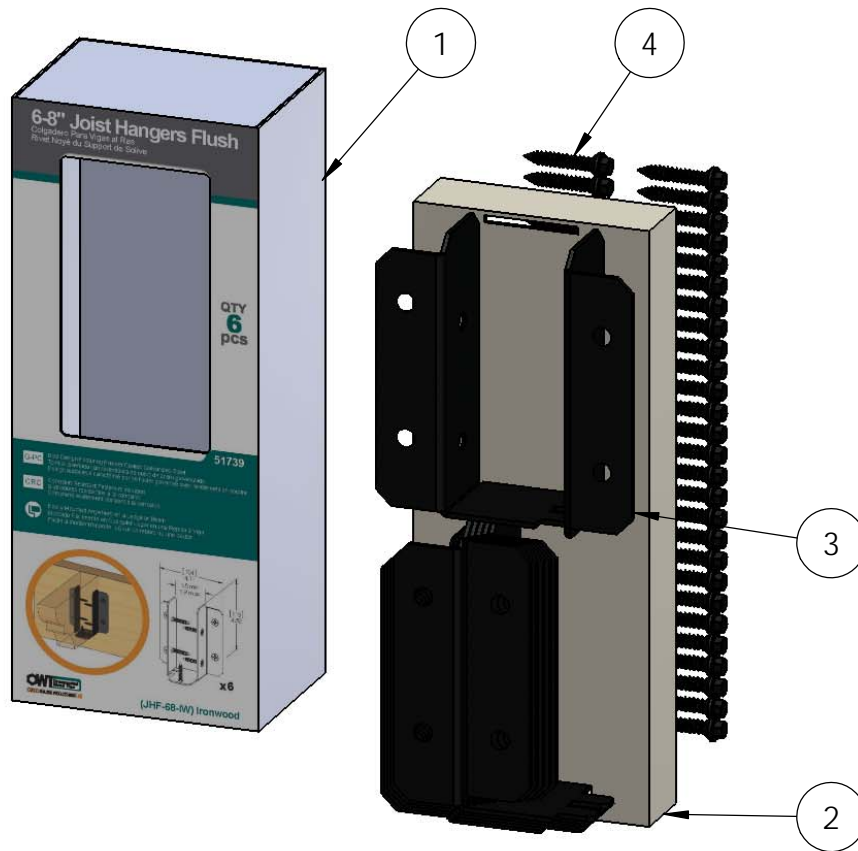


Material: Plain Carbon Steel  
Finish: Black Zinc  
Weight: 0.01 LBS  
Scale: 4:1  
Last updated: 10/10/2016

for additional details, see drawing #80060

51739

V2.00 - Installation Instructions, Specifications and Project Plans are effective 10/10/2016 . This information is updated periodically 7 and should not be relied upon after 2 years from 10/10/2016 . Please visit OZCOBP.com to get current information.

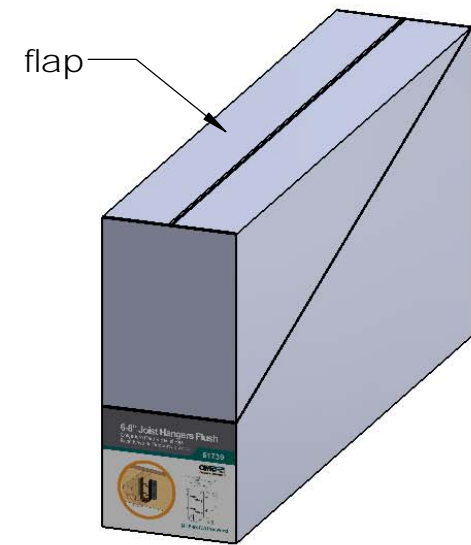
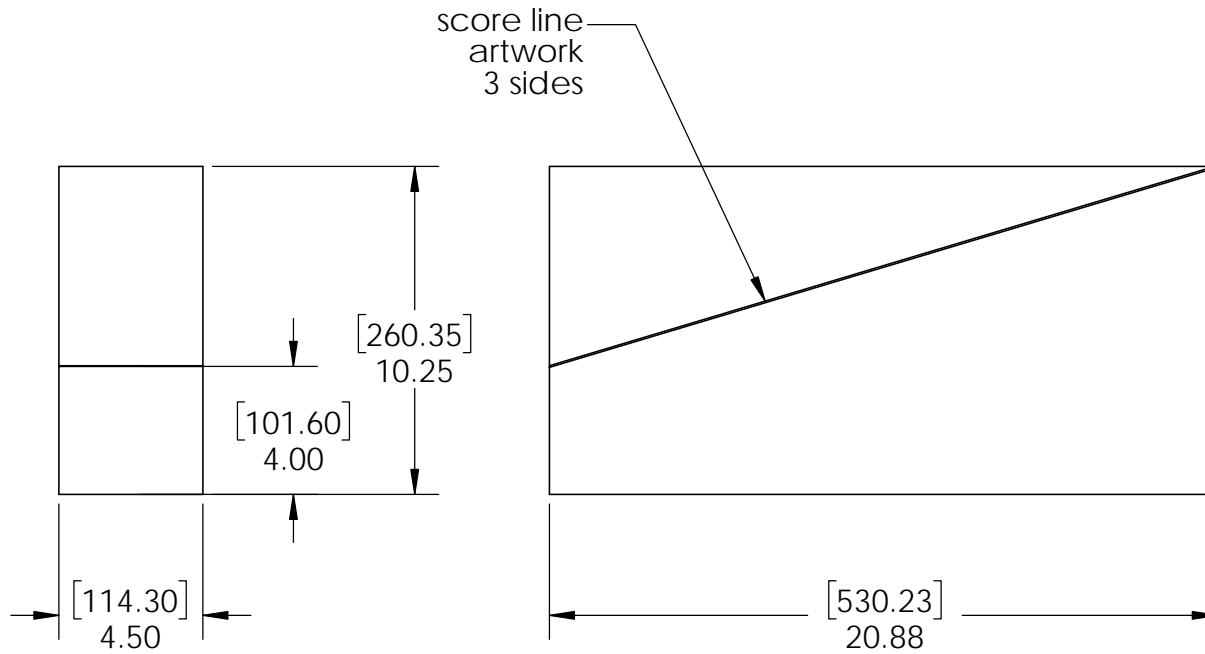


ITEM NO.	QTY.	PART NUMBER	DESCRIPTION
1	1	56639 Box Insert	56639 Box Insert
2	6	51739	6-8" JOIST HANGER FLUSH
3	1	Box, 51739	Box, 51739
4	54	80060	Screw, 1-1/2"x1/4" Black Hex-Head (1-1/2-HX-SCR)

Screws placed inside a small plastic bag and placed inside each box

Weight: 6.79 LBS  
 Scale: 1:3  
 Last updated: 10/10/2016

51739



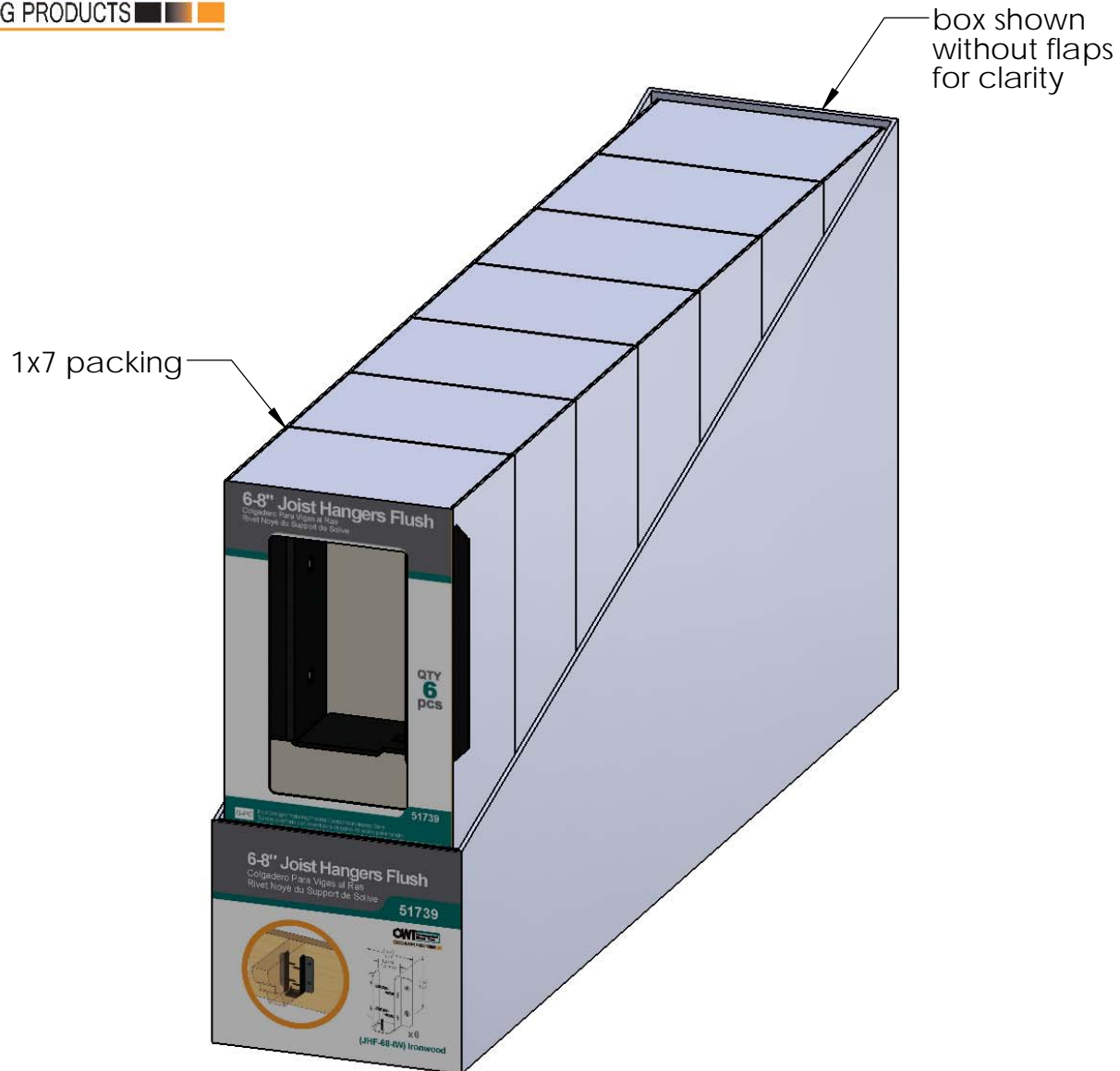
Material: Corrugated Paper  
 Finish: See Artwork  
 Weight: 0.31 LBS  
 Scale: 1:6  
 Last updated: 10/10/2016

51739

# Product & Packaging Specs

51739 Packing

Item #: Case Packing

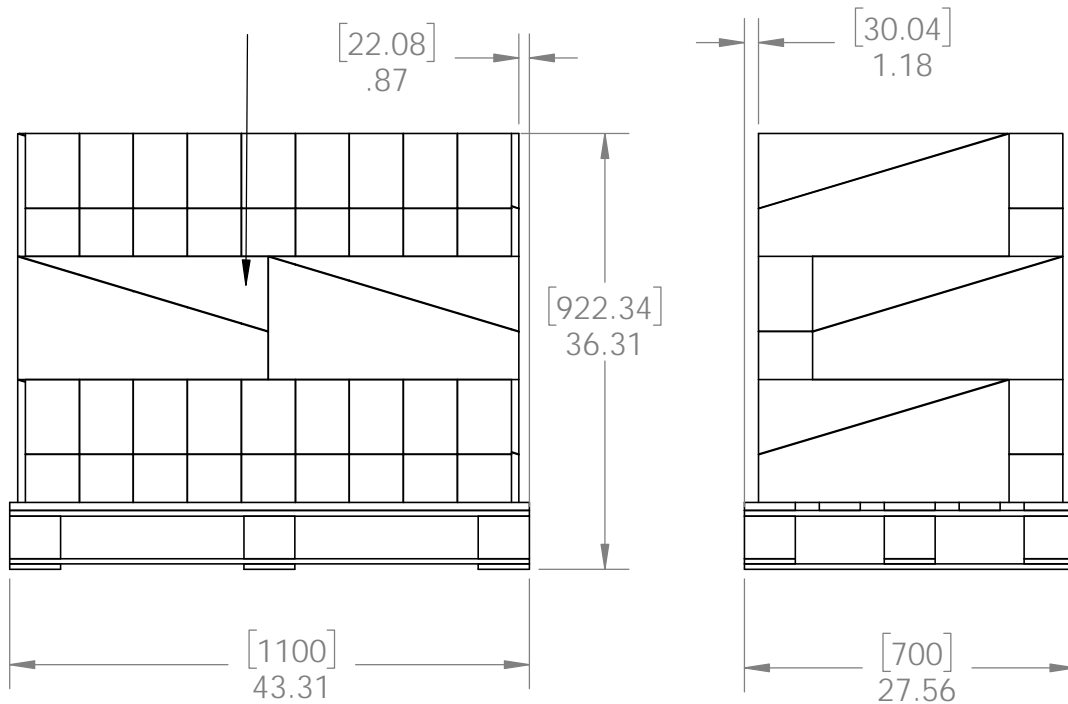


Weight: 28.10 LBS  
Scale: 1:3  
Last updated: 10/10/2016

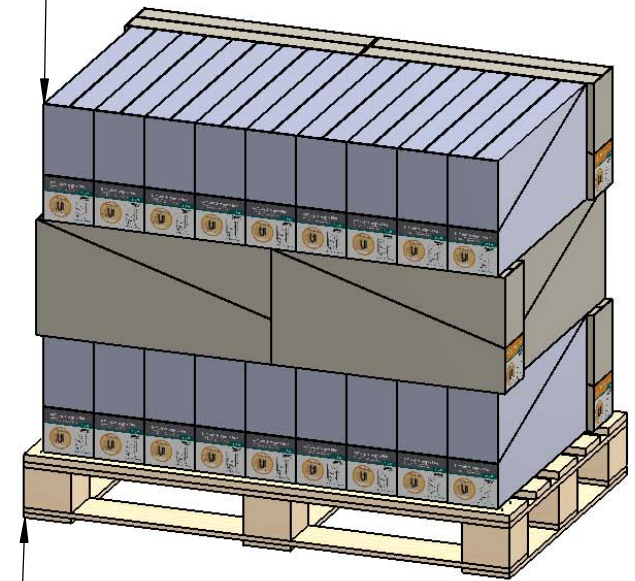
51739



ADD PALLET LABEL



Total number of cases: 33  
 Total number of pieces:  
 $33 \times 7 = 231$  pieces on pallet



H pallet



additional pallet packing instructions

- plywood on top layer
- strap to pallet
- clear wrap around boxes

Weight: 959 LBS  
 Scale: 1:2  
 Last updated: 10/10/2016

51739