



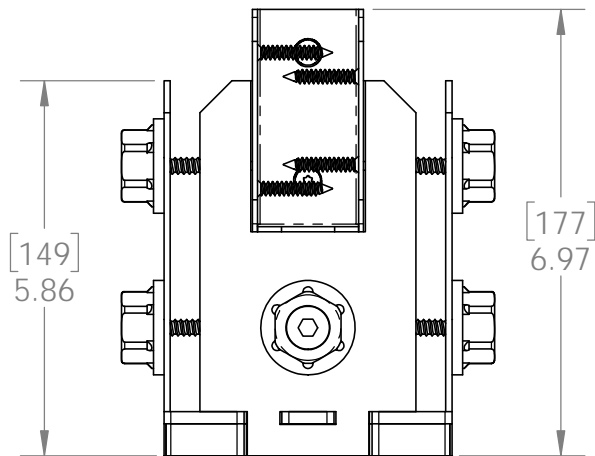
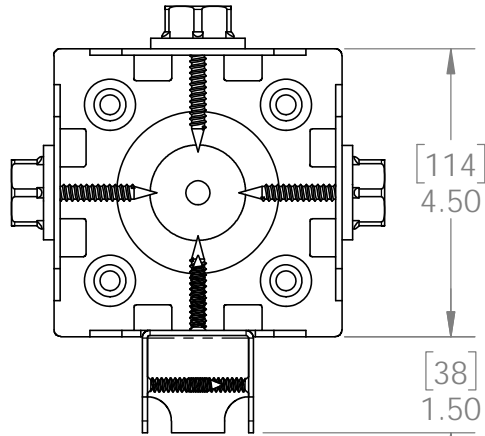
OZCO BUILDING PRODUCTS

Product & Packaging Specs

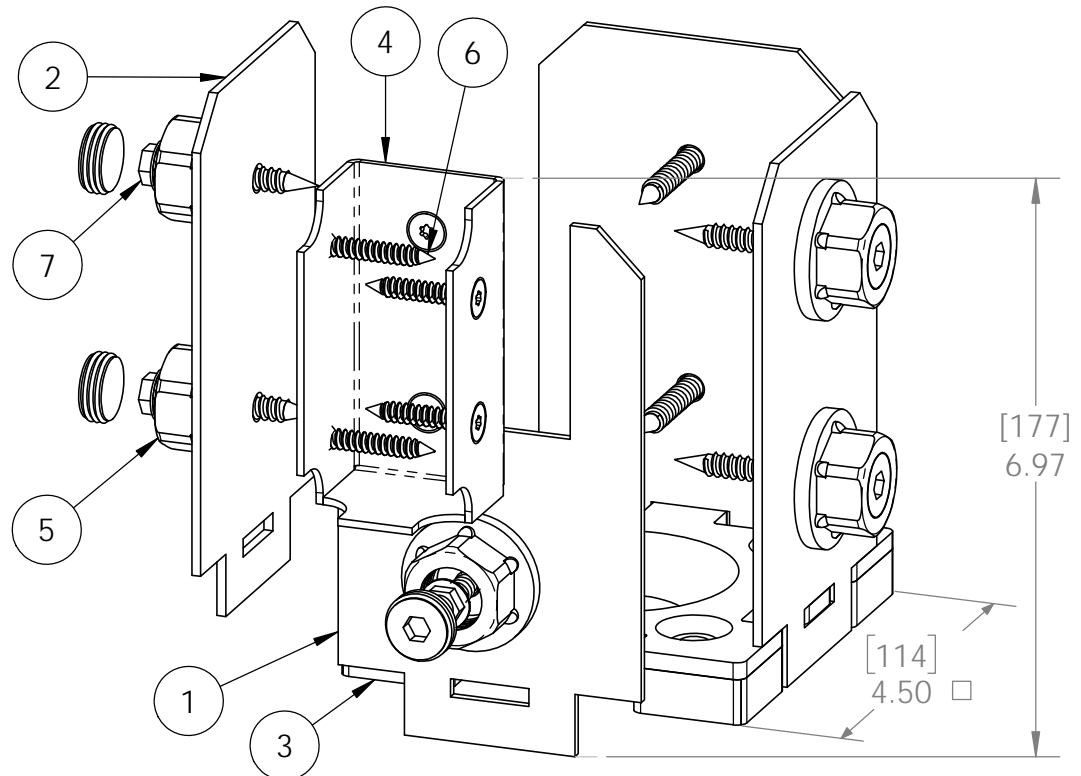
4x4 Post Base with Rail Saddle (4X4-SRS-IW)

Item #: 51731

for use with nominal 2x4 (1-1/2" x 3-1/2")



ITEM NO.	QTY.	PART NUMBER	DESCRIPTION
1	1	51707-11	Plate, 4x4 Side Compression
2	3	51707-15	Plate, 4x4 Side Compression
3	1	56607-11	Assembly, 4x4 Stand Off
4	1	56641-12	Bracket, 2x4 Top Rail Saddle
5	0.7	56621	1 1/2" Hex Cap Nut (HCN)
6	6	80016	#12 x 1-1/4 Torx HD Sharp Point (T25)
7	0.28	56625	OWT Timber Screw 1-3/4"



Weight: 3.65 LBS
 Scale: 1:2
 Last updated: 12/23/2016

51731

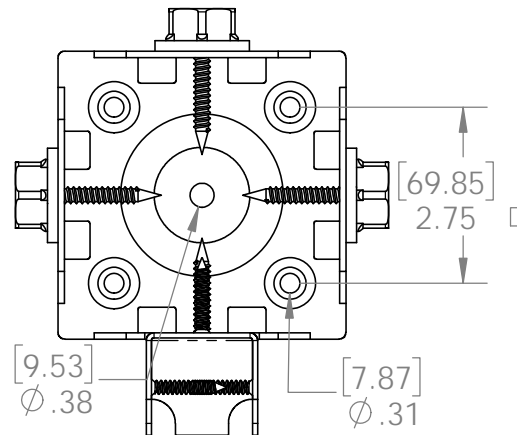
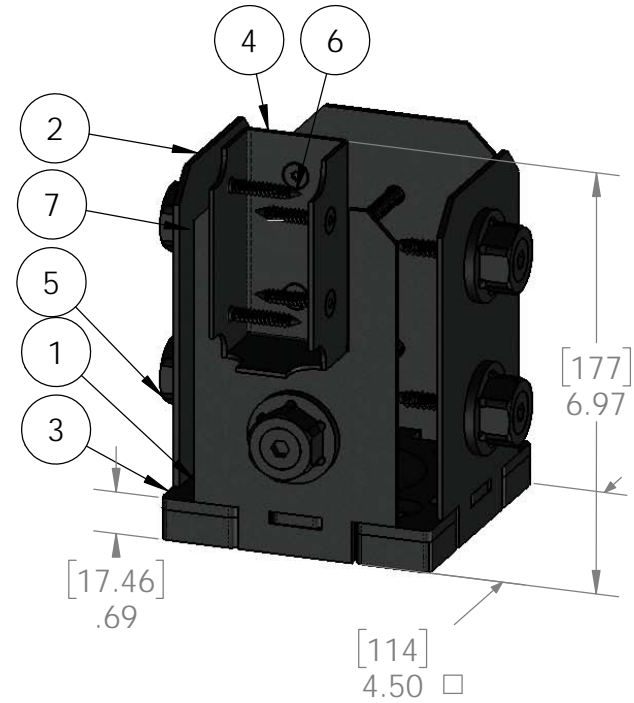
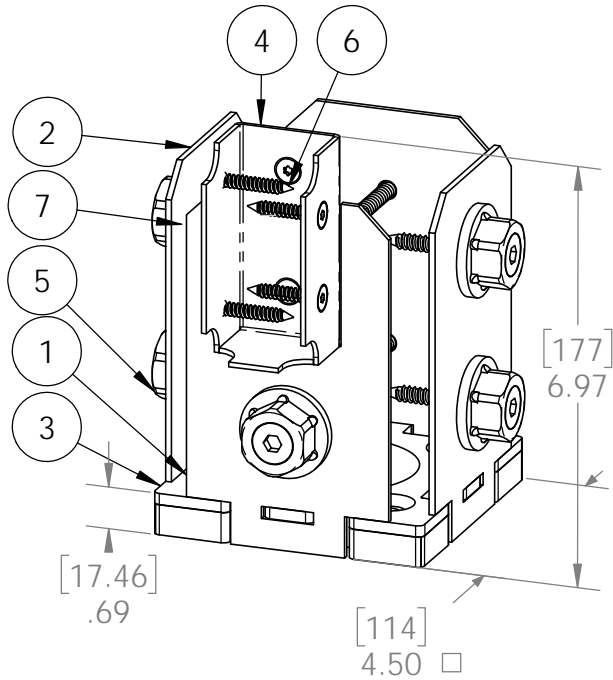


OZCO BUILDING PRODUCTS

Product & Packaging Specs

4x4 Post Base with Rail Saddle (4X4-SRS-IW)

Item #: 51731



Weight: 3.65 LBS
Scale: 1:3
Last updated: 12/23/2016

51731

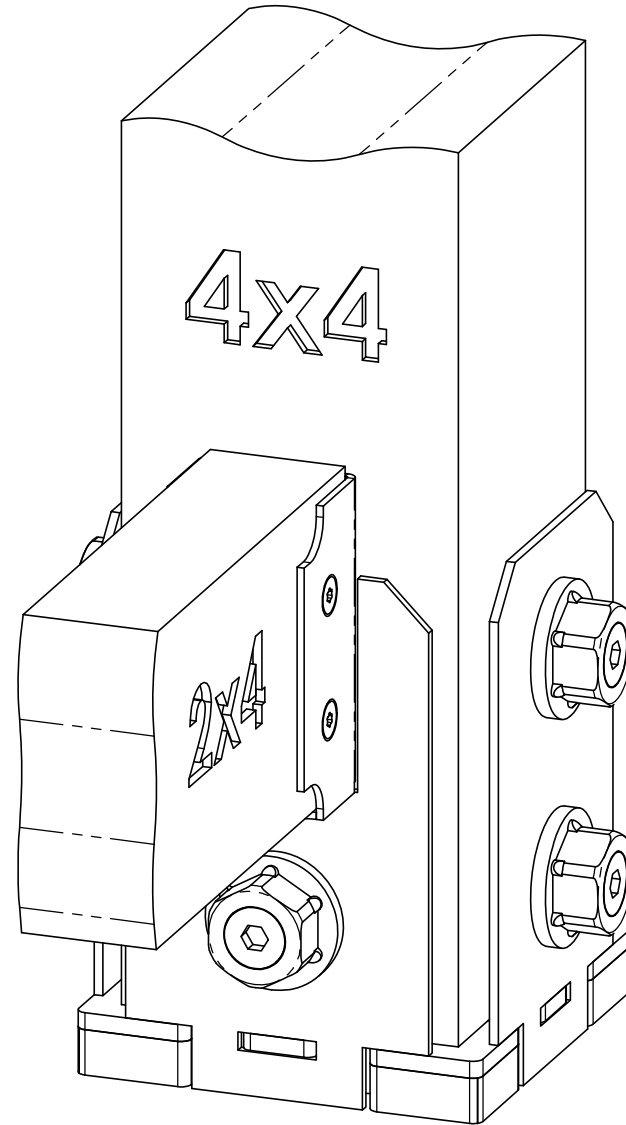
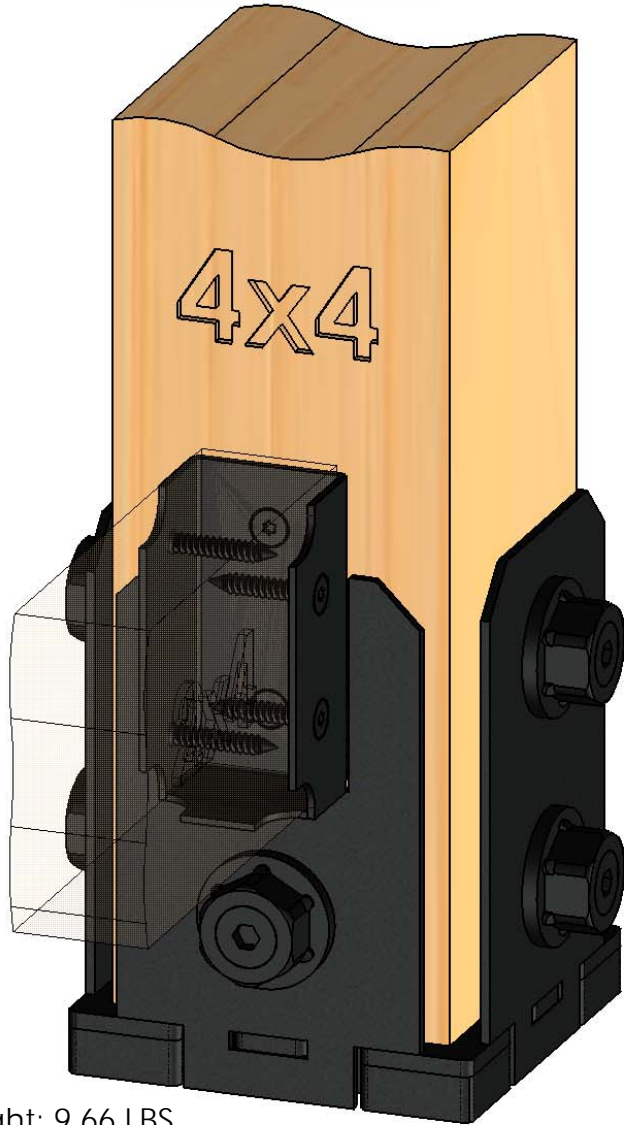


OZCO BUILDING PRODUCTS

Product & Packaging Specs

Typical Installation

Item #: 51731



Weight: 9.66 LBS
Scale: 1:2
Last updated: 12/23/2016

51731

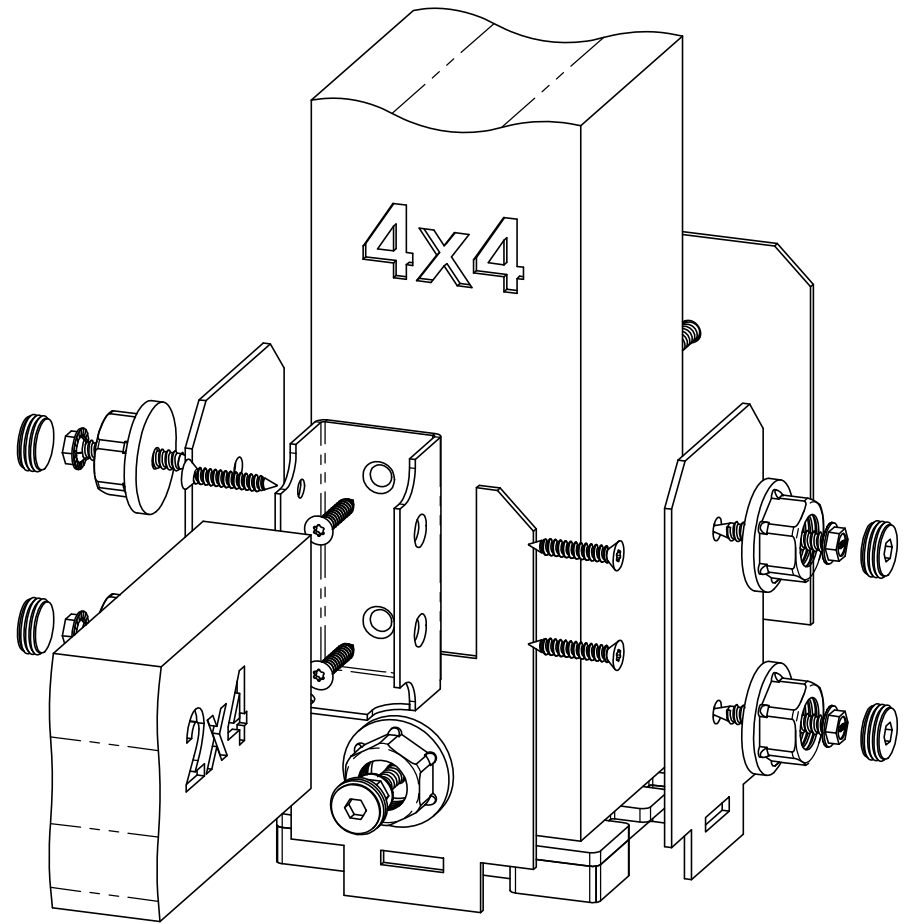
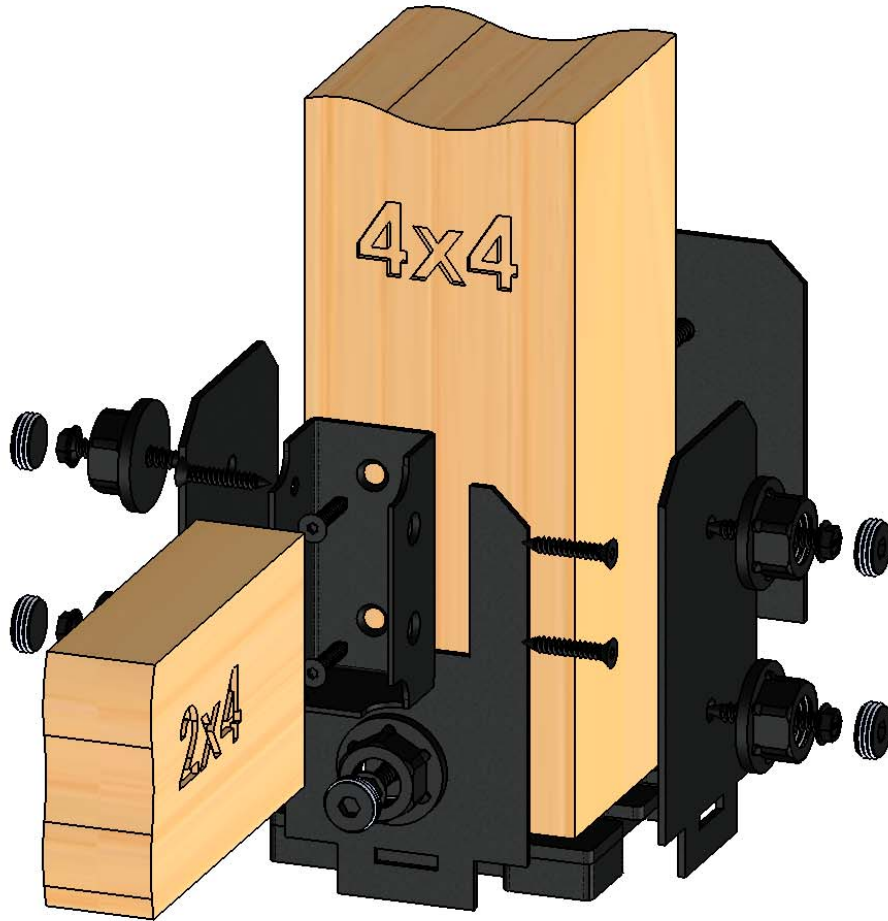


OZCO BUILDING PRODUCTS

Product & Packaging Specs

Typical Installation

Item #: 51731



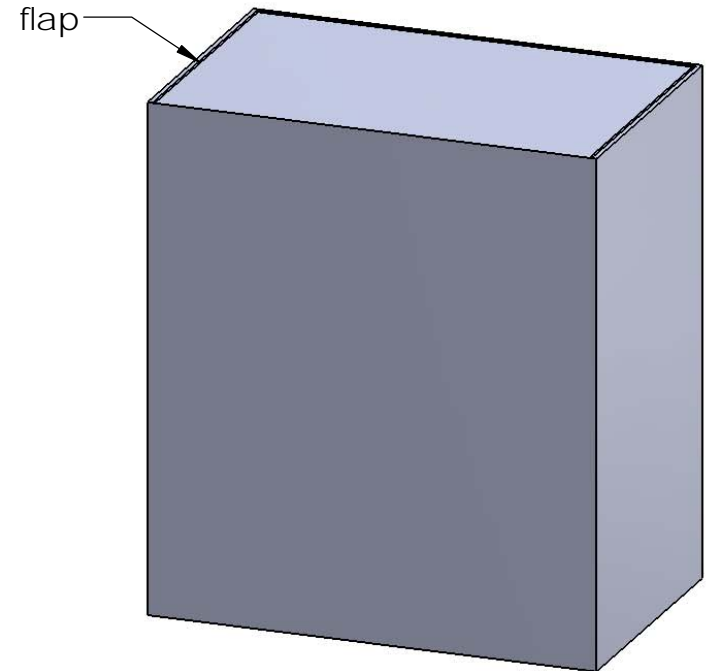
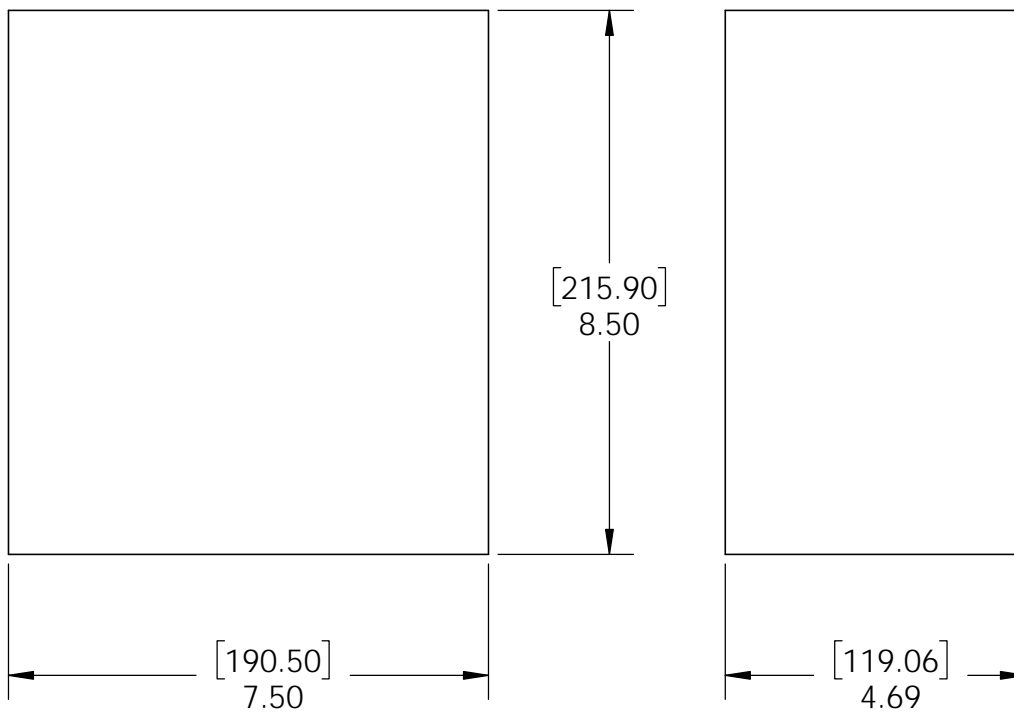
Weight: 9.66 LBS
Scale: 1:2.5
Last updated: 12/23/2016

51731

Product & Packaging Specs

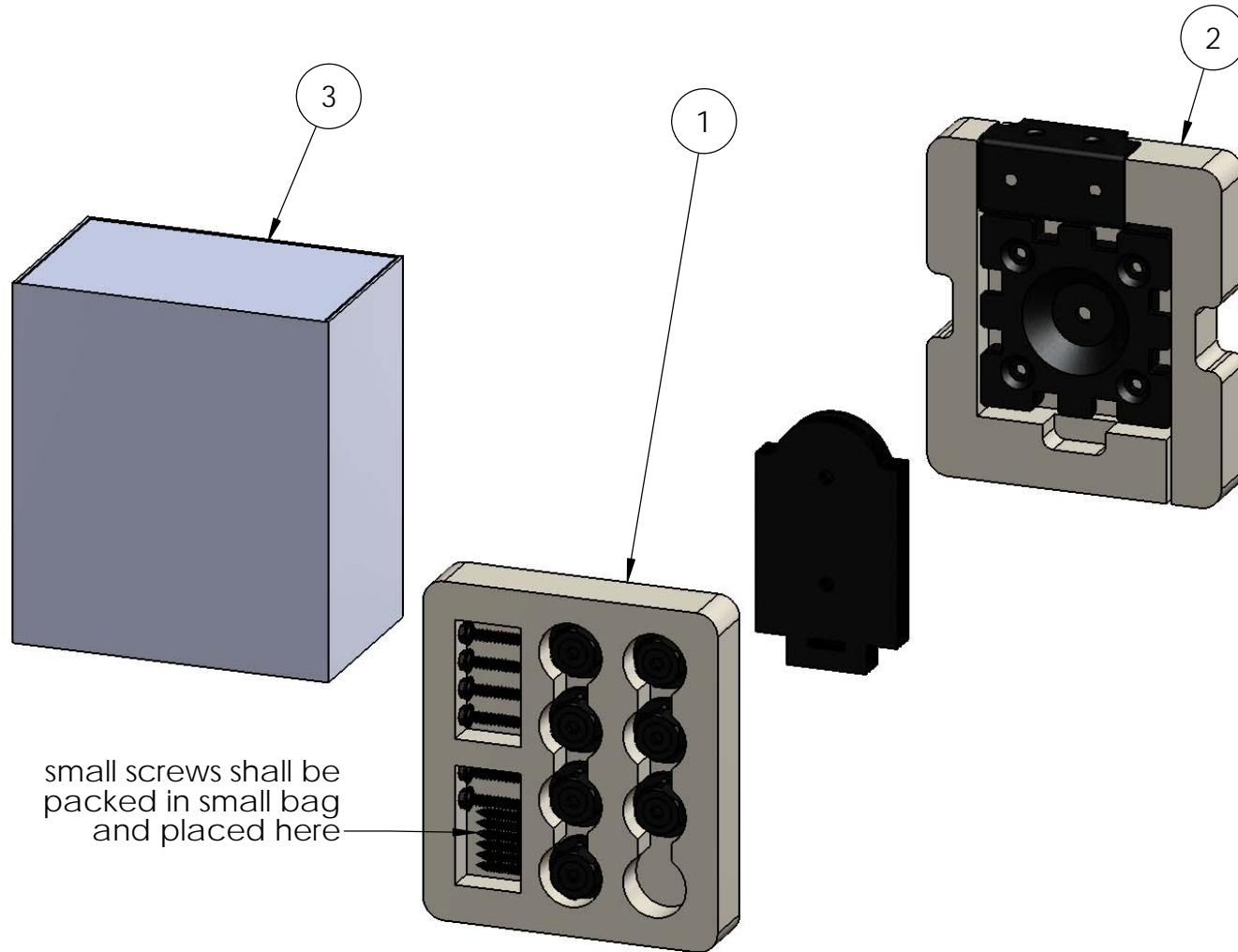
Box, 51731

Item #: Box



Material: Corrugated Paper
 Finish: See Artwork
 Weight: 0.12 LBS
 Scale: 1:3
 Last updated: 12/23/2016

51731



ITEM NO.	QTY.	PART NUMBER	DESCRIPTION
1	1	Insert, Rail Saddle	Insert, Rail Saddle
2	1	Insert, Rail Saddle	Insert, Rail Saddle
3	1	Box, 51731	Box, 51731

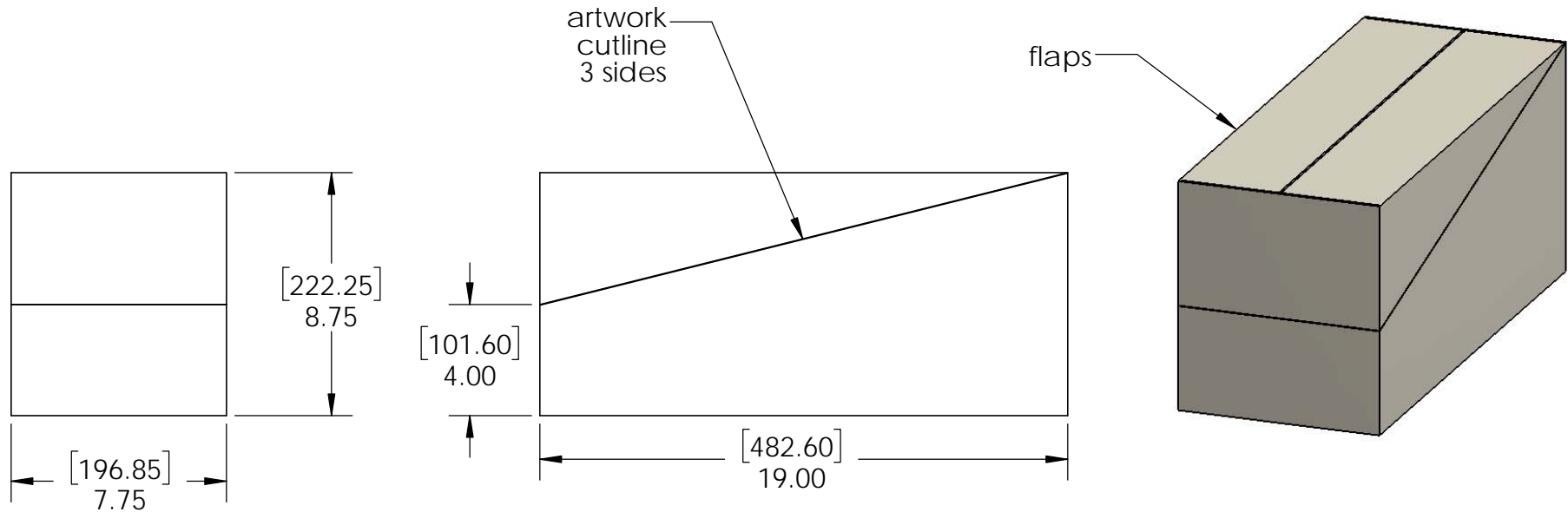
Weight: 4.28 LBS
 Scale: 1:4
 Last updated: 12/23/2016

51731

Product & Packaging Specs

Case, 51731

Item #: Case



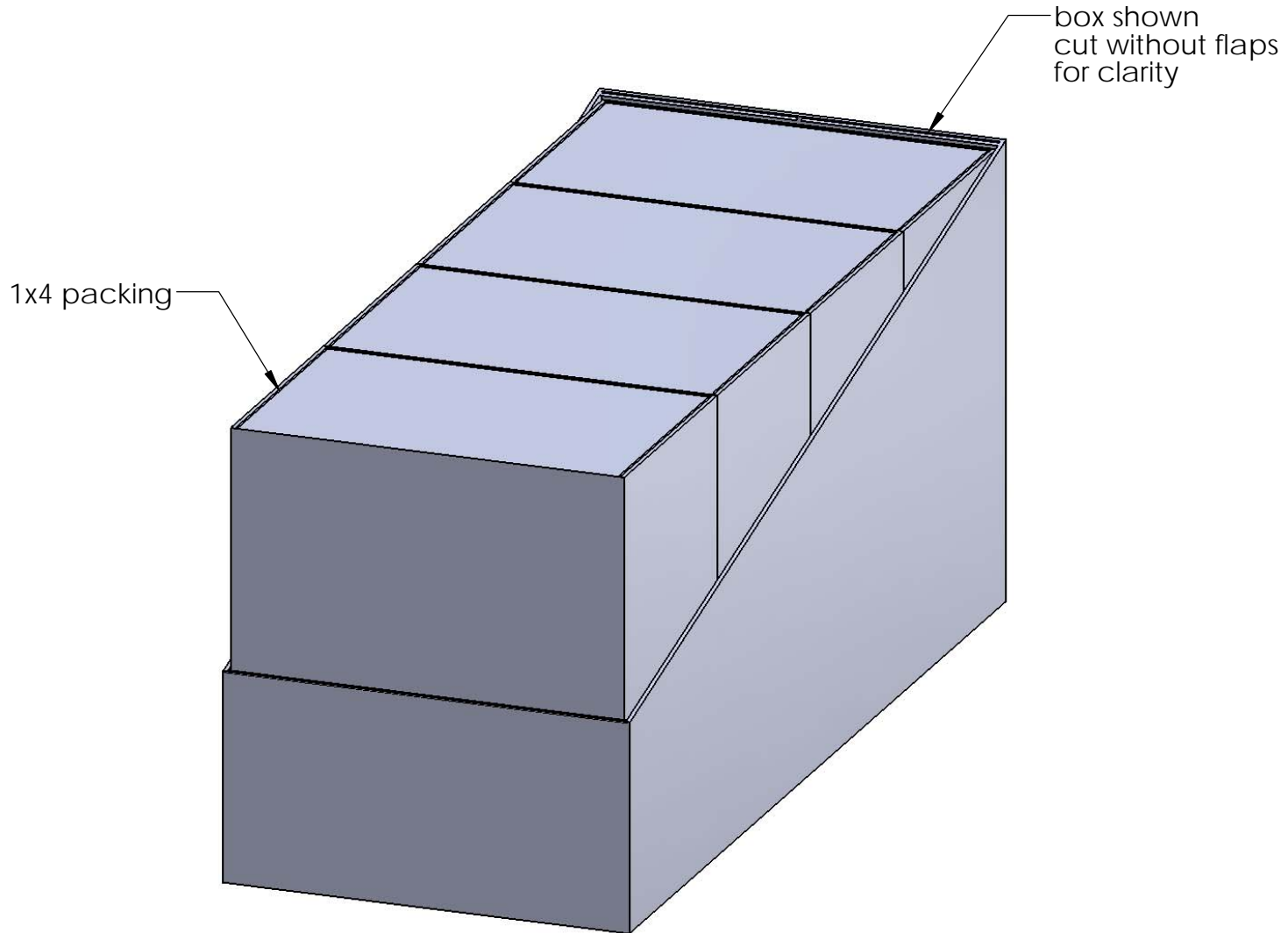
Material: Corrugated Paper
 Finish: See Artwork
 Weight: 0.34 LBS
 Scale: 1:6
 Last updated: 12/23/2016

51731

Product & Packaging Specs

51731 Packing

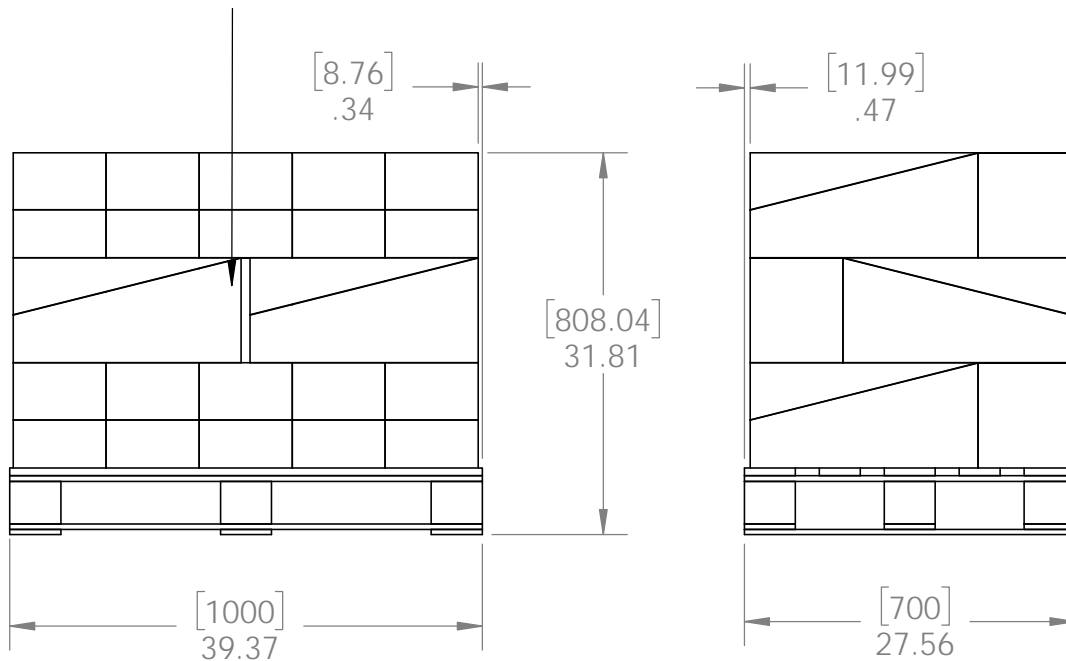
Item #: Case packing



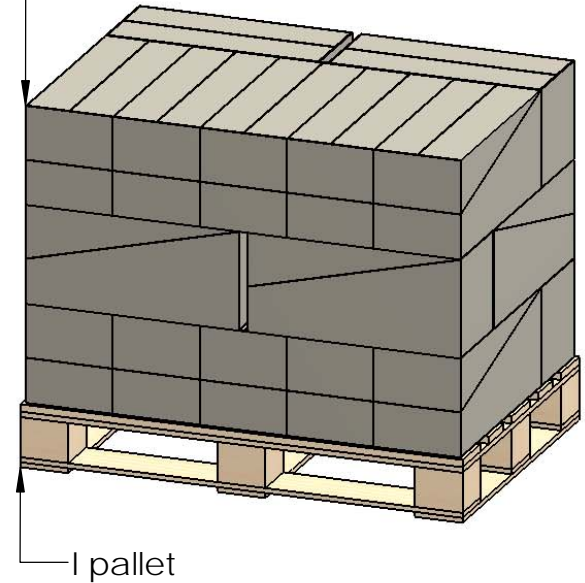
Weight: 19.20 LBS
Scale: 1:3
Last updated: 12/23/2016

51731

NEED NEW PALLET LABEL



Total number of cases: 21
 Total number of pieces:
 21x4=84 pieces on pallet



additional pallet packing instructions

- plywood on top layer
- strap to pallet
- clear wrap around boxes

Weight: 429 LBS
 Scale: 1:16
 Last updated: 12/23/2016

51731