

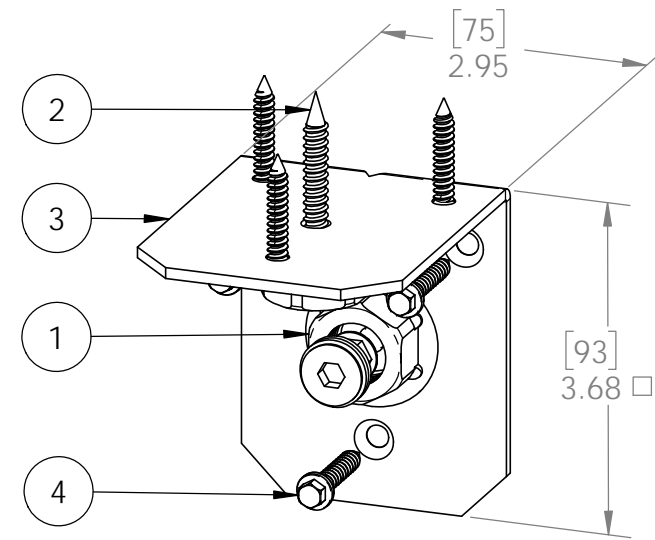
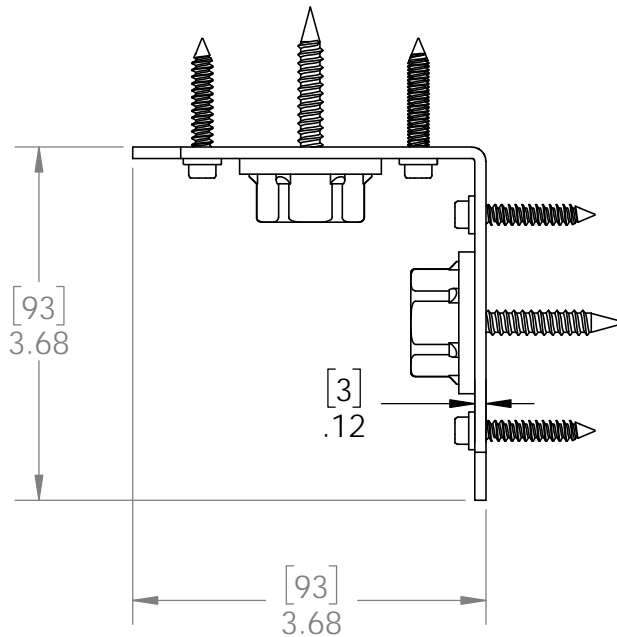
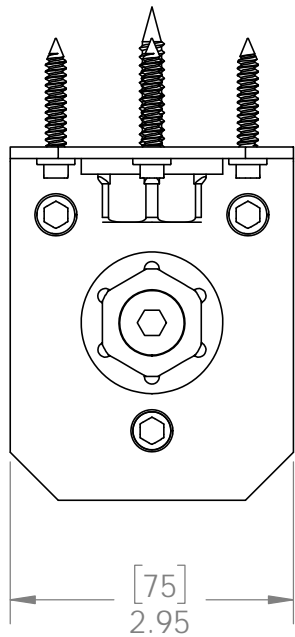


Product & Packaging Specs

4" Standard Rafter Clips (RC-IW-4)

Item #: 51718

| ITEM NO. | QTY. | PART NUMBER | DESCRIPTION |
|----------|------|-------------|--|
| 1 | 0.2 | 56621 | 1 1/2" Hex Cap Nut (HCN) |
| 2 | 0.08 | 56625 | OWT Timber Screw 1-3/4" |
| 3 | 1 | 51718-11 | Clip, 4" Rafter |
| 4 | 6 | 80060 | Screw, 1-1/2"x1/4" Black Hex-Head (1-1/2-HX-SCR) |



This Package Includes



- Requires a 1/4" hex driver bit
- Exclusive high friction design
- No pre-drilling required

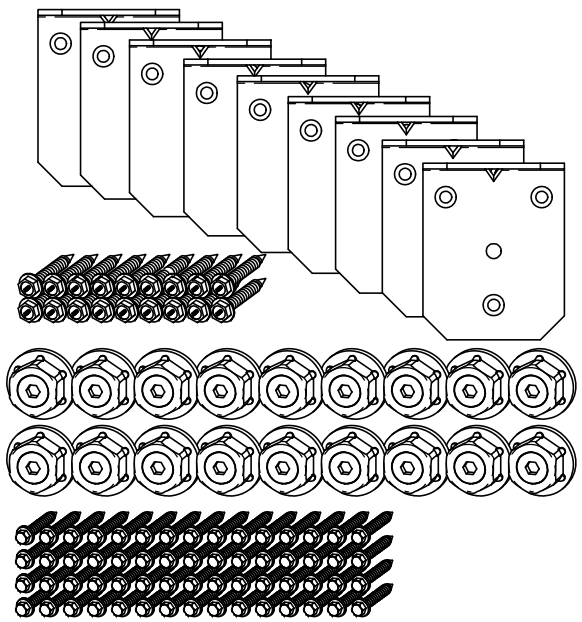
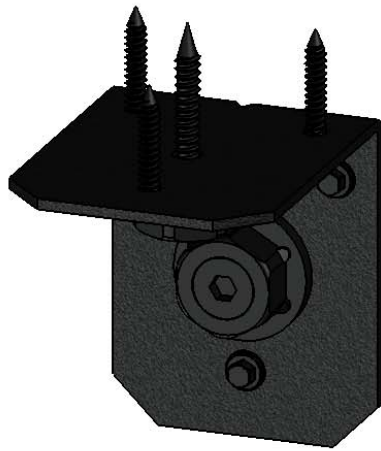
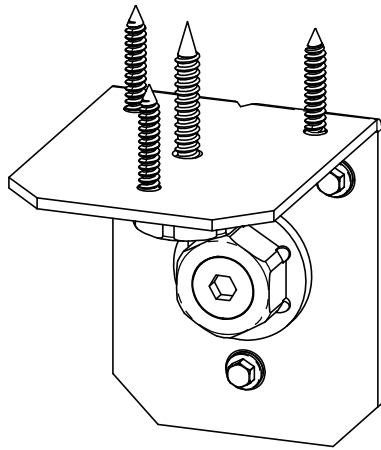
Weight: 0.80 LBS
 Scale: 1:2
 Last updated: 10/10/2016

51718

Product & Packaging Specs

4" Standard Rafter Clips (RC-IW-4)

Item #: 51718



Weight: 0.80 LBS
Scale: 1:2
Last updated: 10/10/2016

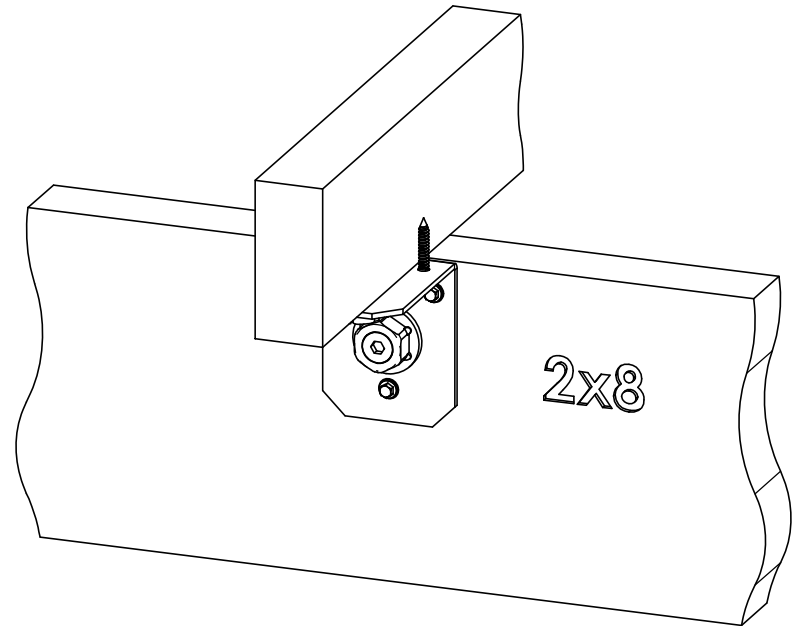
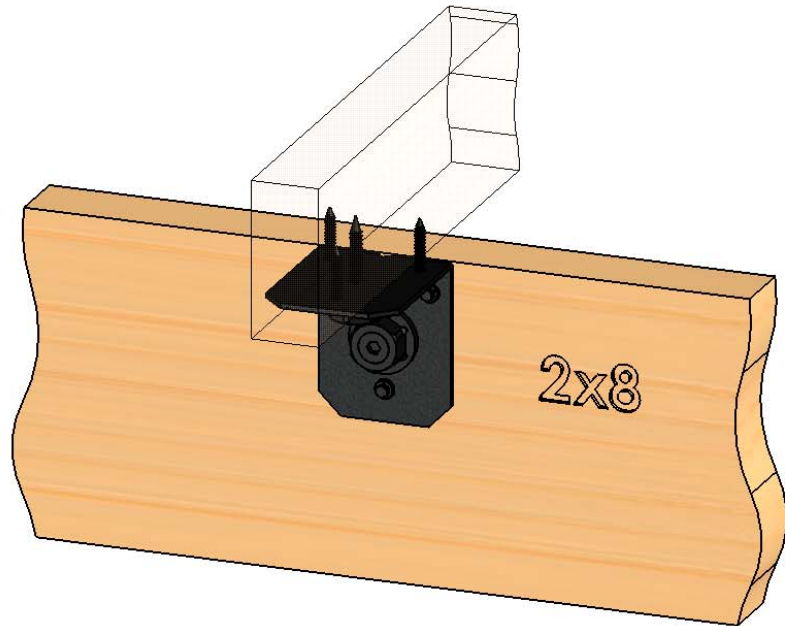
51718



OZCO BUILDING PRODUCTS

Product & Packaging Specs

Item #: Typical Installation & Basic Assembly



Scale: 1:4
Last updated: 10/10/2016

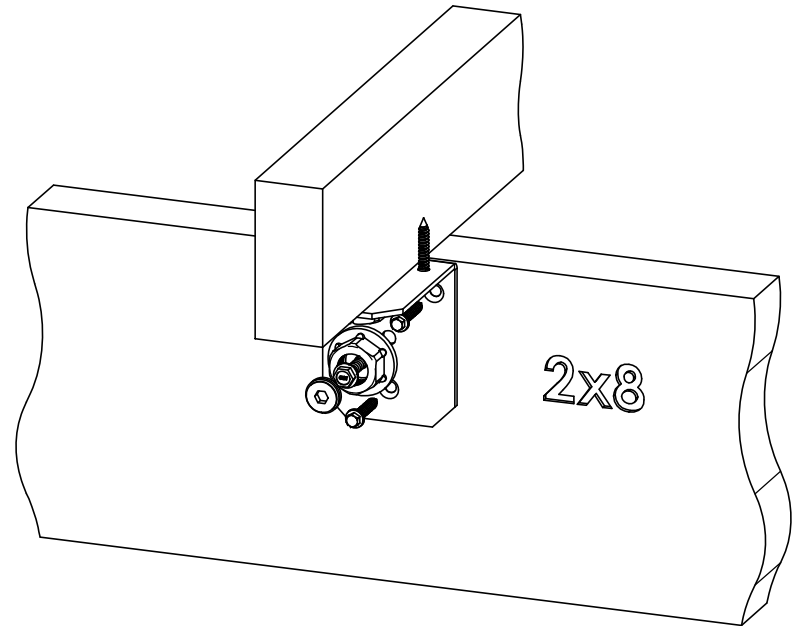
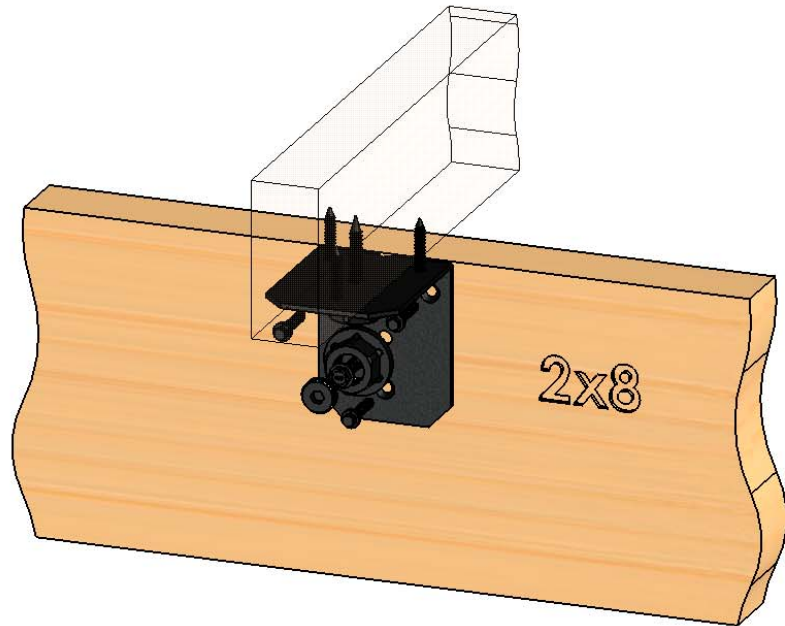
51718



OZCO BUILDING PRODUCTS

Product & Packaging Specs

Item #: Typical Installation & Basic Assembly



Scale: 1:4
Last updated: 10/10/2016

51718

V2.00 - Installation Instructions, Specifications and Project Plans are effective 10/10/2016 . This information is updated periodically and should not be relied upon after 2 years from 10/10/2016 . Please visit OZCOBP.com to get current information.

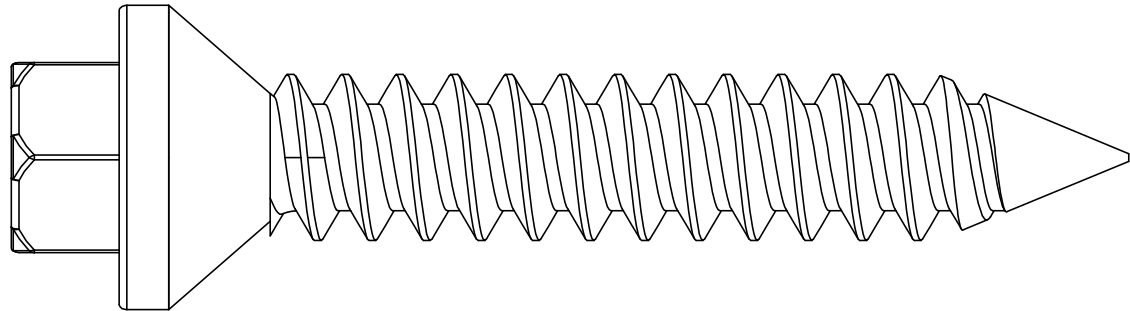
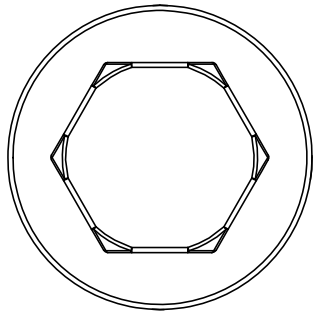


OZCO BUILDING PRODUCTS

This Package Includes



- Requires a 1/4" hex driver bit
- Exclusive high friction design
- No pre-drilling required

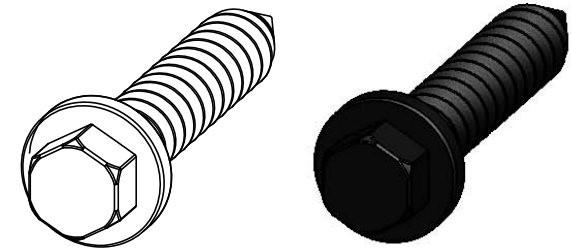


Product & Packaging Specs

Screw, 1-1/2"x1/4"

Black Hex-Head (1-1/2-HX-SCR)

Item #: 80060



Material: Plain Carbon Steel
Finish: Black Zinc
Weight: 0.01 LBS
Scale: 4:1
Last updated: 10/10/2016

for additional details, see drawing #80060

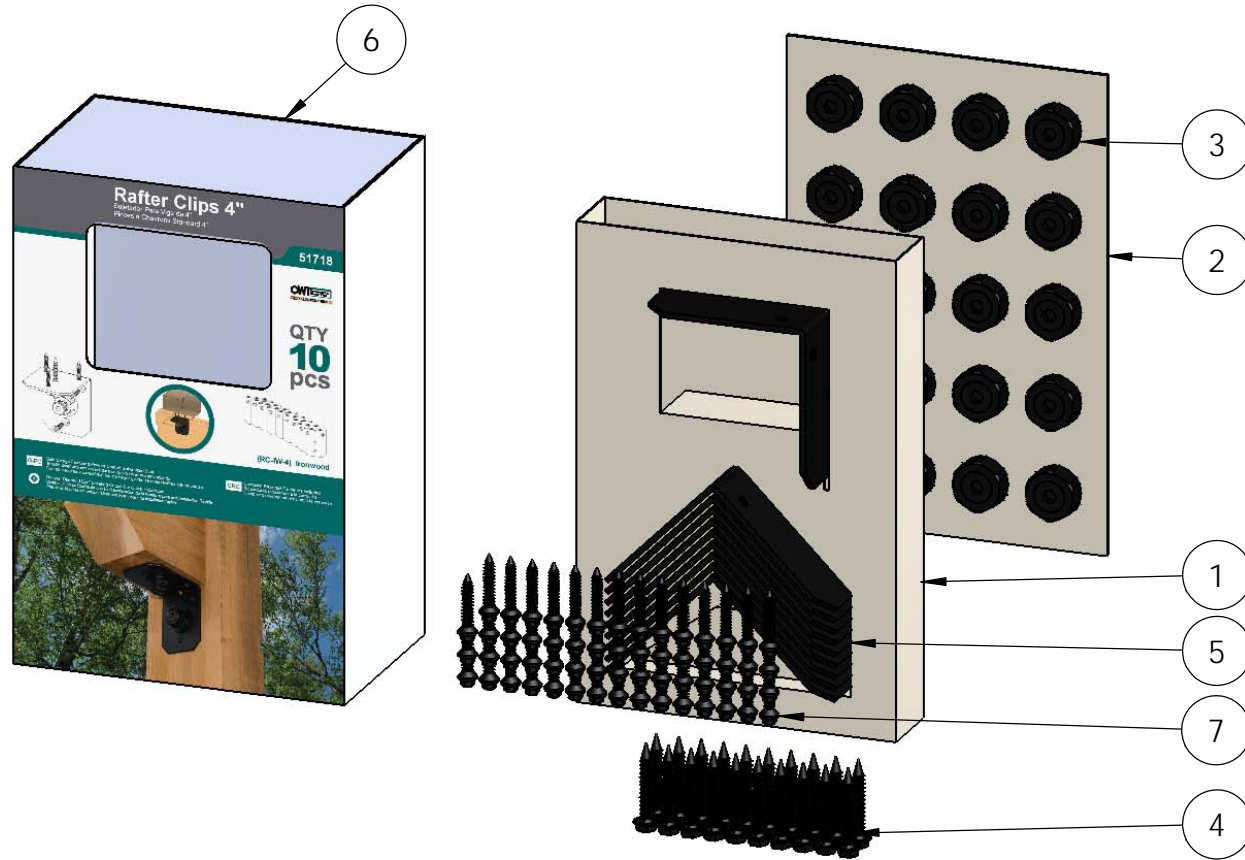
51718

V2.00 - Installation Instructions, Specifications and Project Plans are effective 10/10/2016 . This information is updated periodically 7 and should not be relied upon after 2 years from 10/10/2016 . Please visit OZCOBP.com to get current information.

Product & Packaging Specs

51718 Packing

Item #: Box packing



| ITEM NO. | QTY. | PART NUMBER | DESCRIPTION |
|----------|------|---------------|--|
| 1 | 1 | Insert, 56618 | Insert, 56618 |
| 2 | 1 | Insert, 56618 | Insert, 56618 |
| 3 | 2 | 56621 | 1 1/2" Hex Cap Nut (HCN) |
| 4 | 0.8 | 56625 | OWT Timber Screw 1-3/4" |
| 5 | 10 | 51718-11 | Clip, 4" Rafter |
| 6 | 1 | Box, 51718 | Box, 51718 |
| 7 | 60 | 80060 | Screw, 1-1/2"x1/4" Black Hex-Head (1-1/2-HX-SCR) |

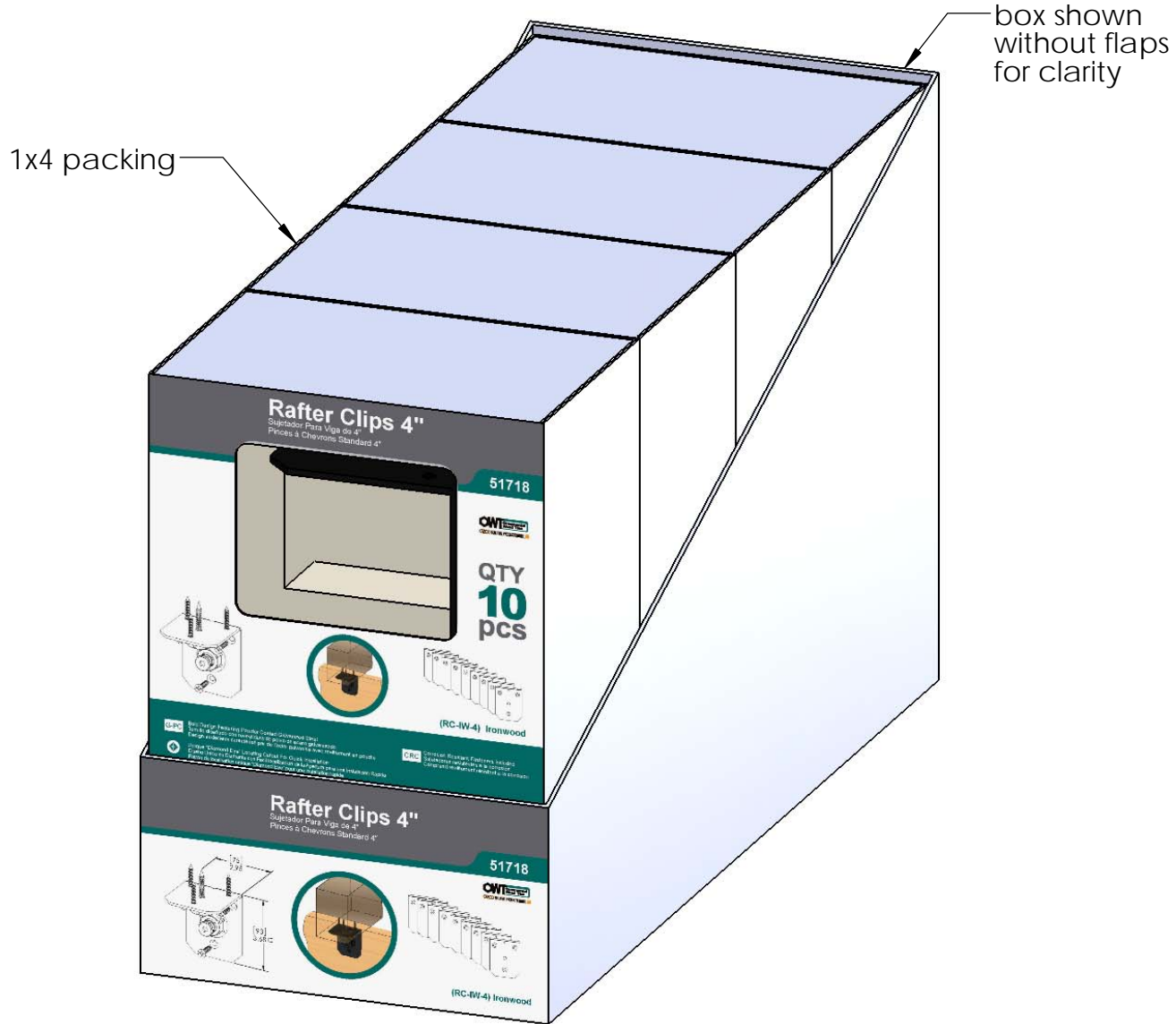
Weight: 8.18 LBS
 Scale: 1:4
 Last updated: 10/10/2016

51718

Product & Packaging Specs

51718 Packing

Item #: Case packing



Weight: 31.92 LBS
 Scale: 1:3
 Last updated: 10/10/2016

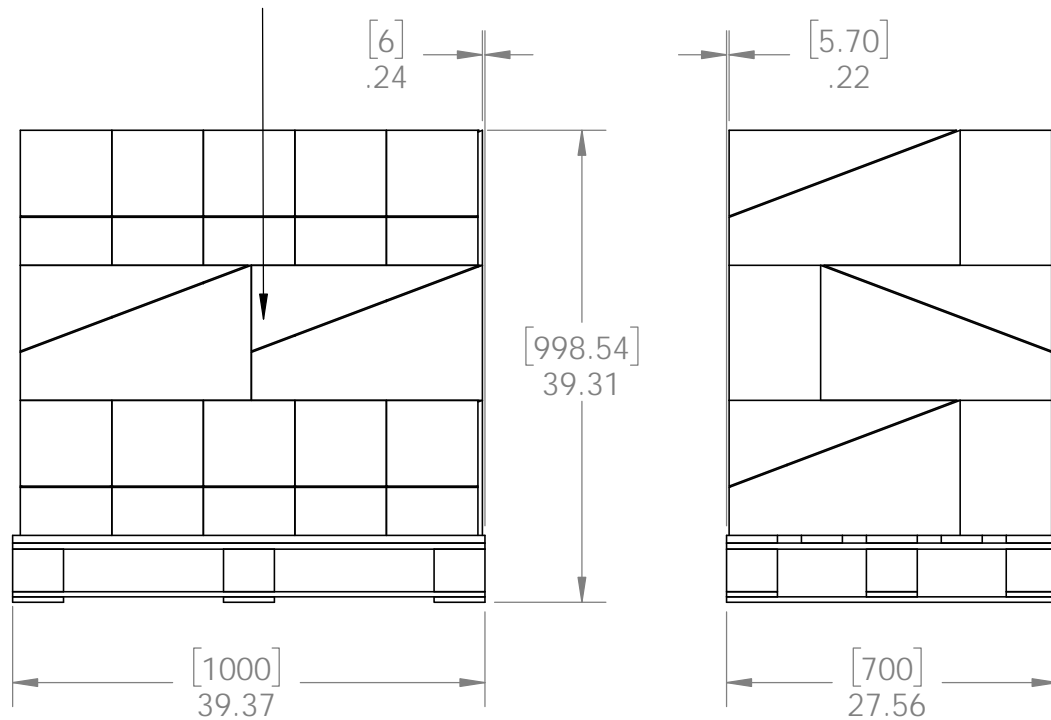
51718

Product & Packaging Specs

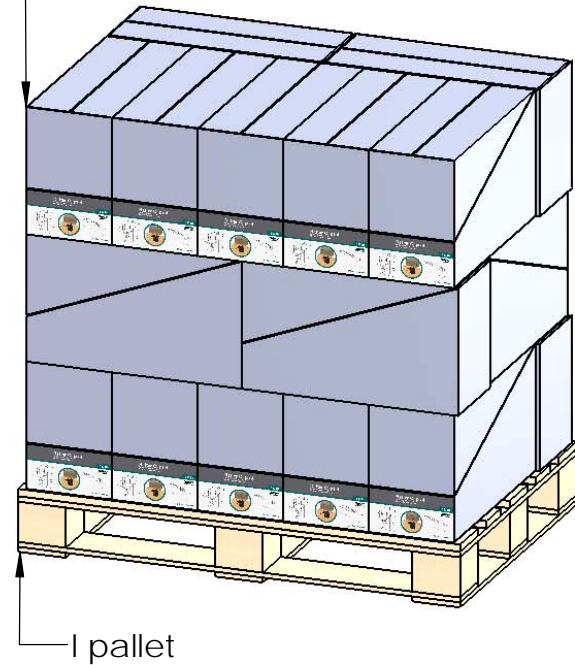
51718 Packing

Item #: Pallet packing

ADD PALLET LABEL



Total number of cases: 21
 Total number of pieces:
 21x4=84 pieces on pallet



additional pallet packing instructions

- plywood on top layer
- strap to pallet
- clear wrap around boxes

Weight: 721 LBS
 Scale: 1:16
 Last updated: 10/10/2016

51718