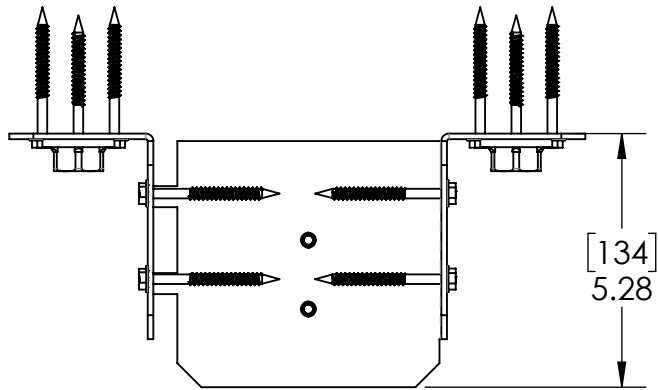


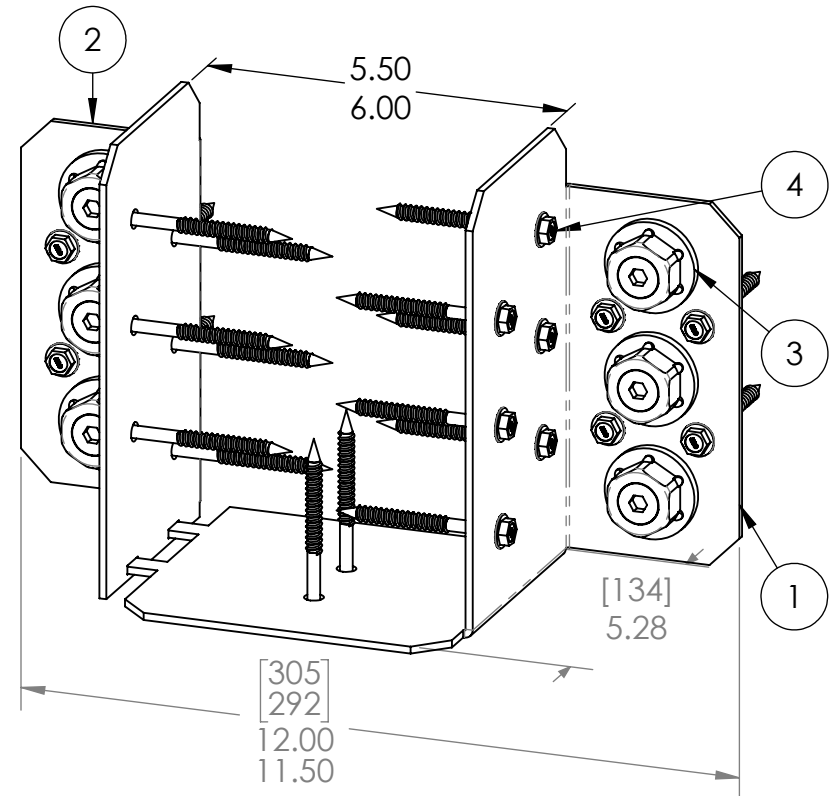
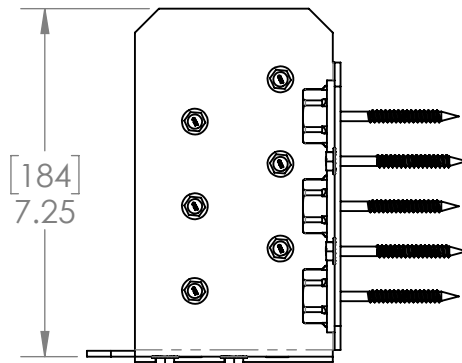
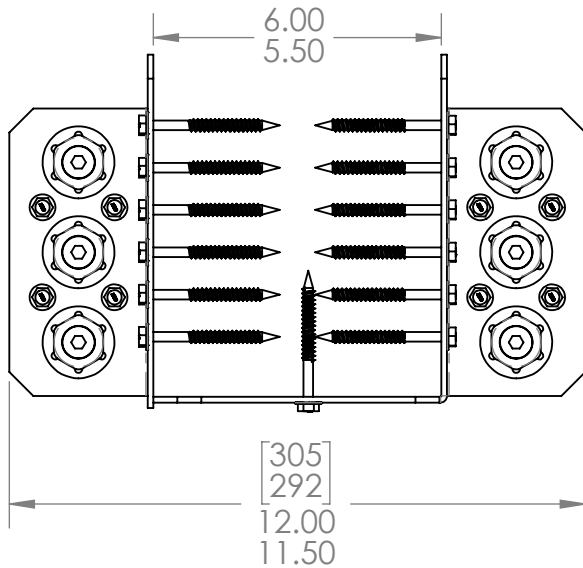
# Product & Packaging Specs

## 6" Beam Hanger (6-BH-IW)

Item #: 51714



ITEM NO.	QTY.	PART NUMBER	DESCRIPTION
1	1	51714-11	Ironwood 6" Beam Hanger
2	1	51714-12	Ironwood 6" Beam Hanger
3	6	56621	1 1/2" Hex Cap Nut (HCN)
4	28	56626	OWT Timber Screw 2-3/4"



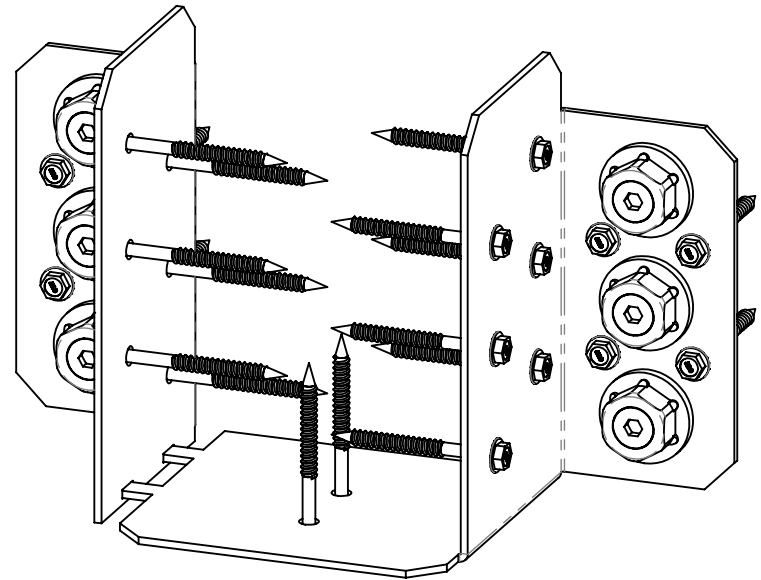
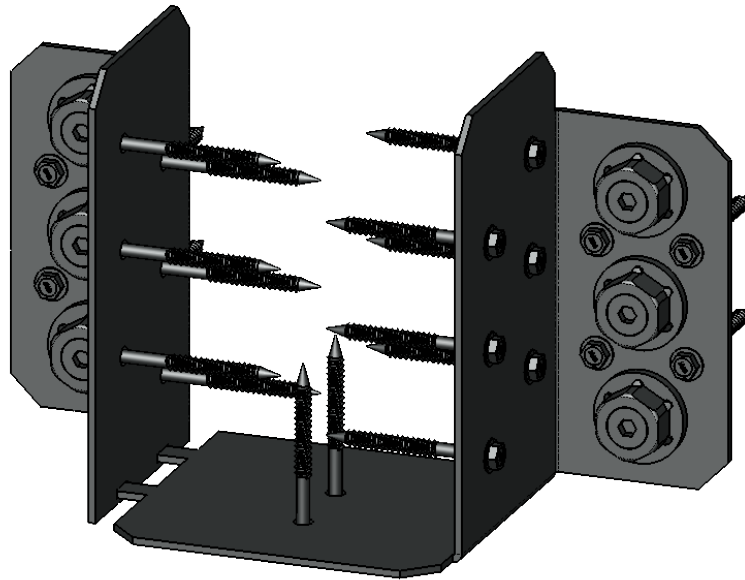
Weight: 4.95 LBS  
Scale: 1:4  
Last updated: 7/17/2019

51714

# Product & Packaging Specs

## 6" Beam Hanger (6-BH-IW)

Item #: 51714



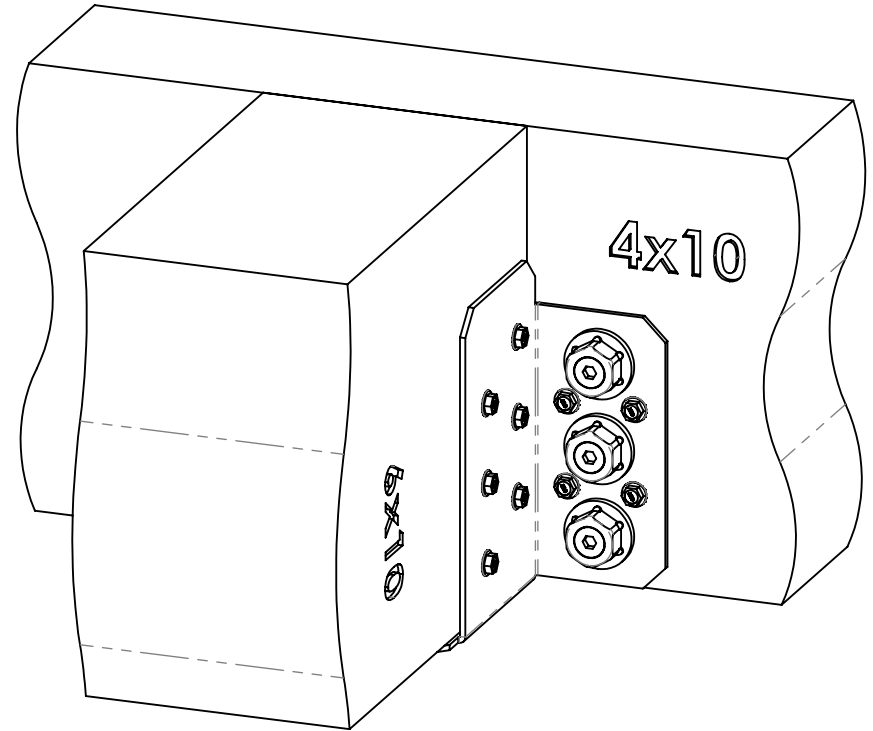
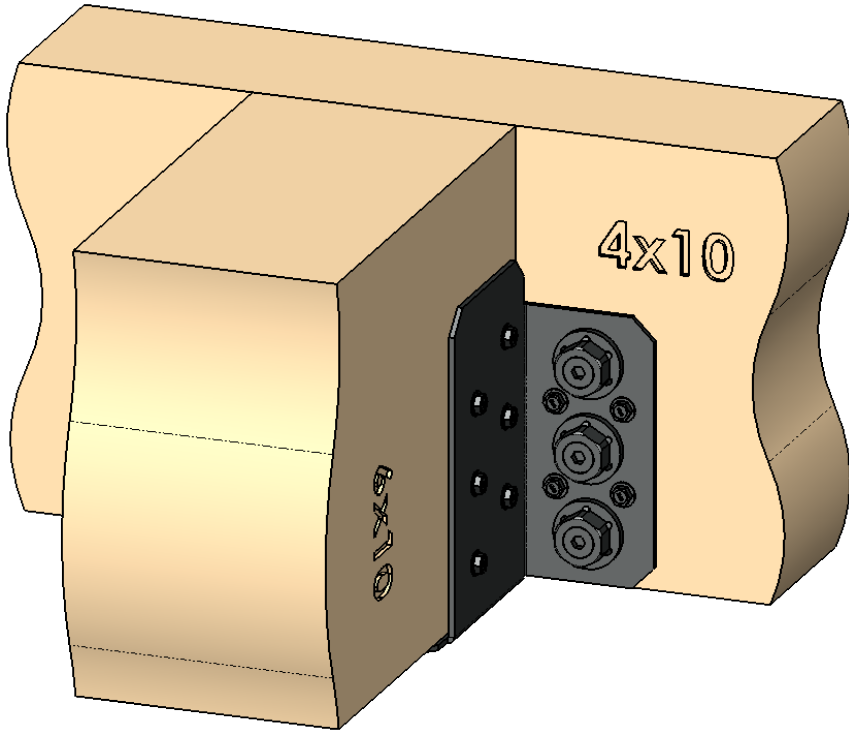
Weight: 4.95 LBS  
Scale: 1:3  
Last updated: 7/17/2019

51714

# Product & Packaging Specs

## 6" Beam Hanger (6-BH-IW)

Item #: Typical Installation & Basic Assembly



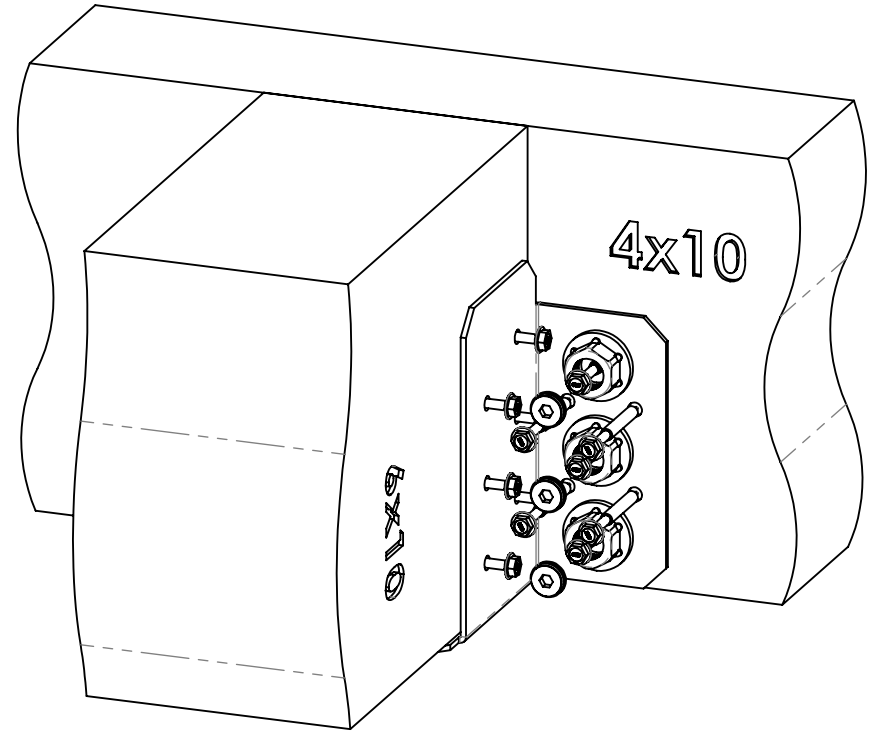
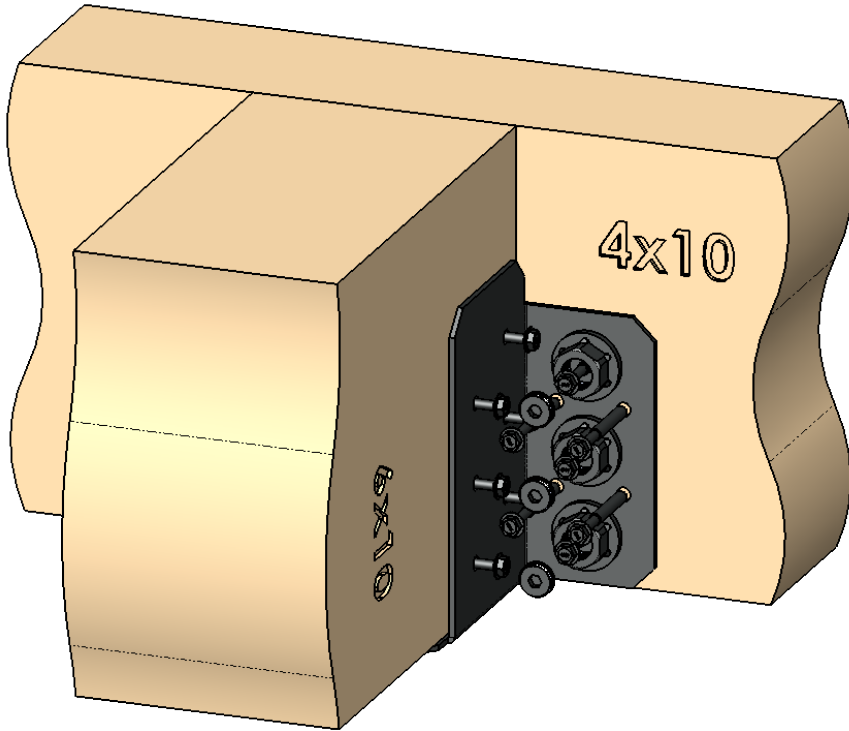
Weight: 4.95 LBS  
Scale: 1:4  
Last updated: 7/17/2019

51714

# Product & Packaging Specs

## 6" Beam Hanger (6-BH-IW)

Item #: Typical Installation & Basic Assembly



Weight: 4.95 LBS  
Scale: 1:4  
Last updated: 7/17/2019

51714