



deck foundation system

OZCO BUILDING PRODUCTS

# Product & Packaging Specs

## 12"x12" Deck Plate (OD-T4)

Item #: 50880

ITEM NO.	QTY.	PART NUMBER	DESCRIPTION
1	1	50880	12"x12" Deck Plate (OD-T4)

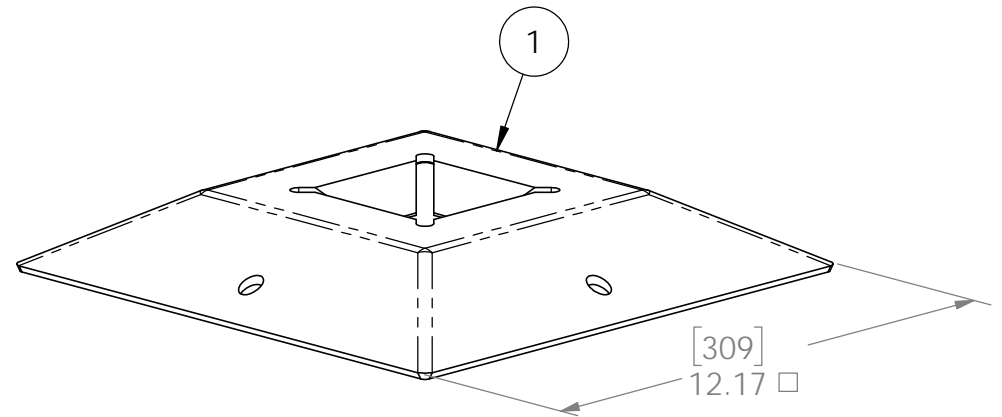
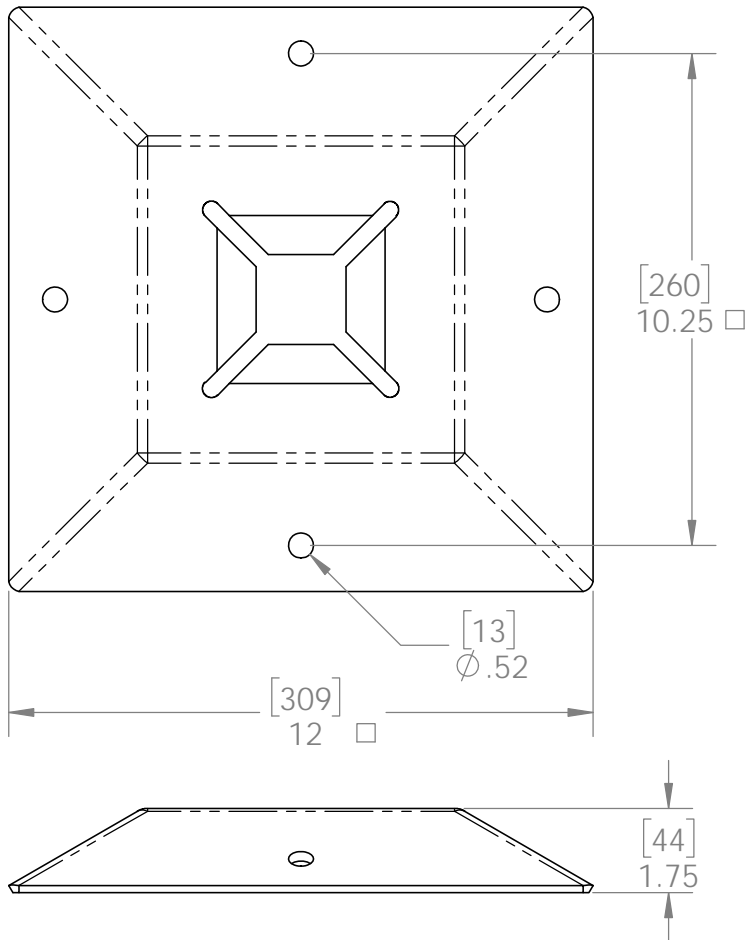


plate can be painted to match post anchors with black automotive bedliner (spray can)

Weight: 7.52 LBS  
 Scale: 1:4  
 Last updated: 10/14/2016

50880



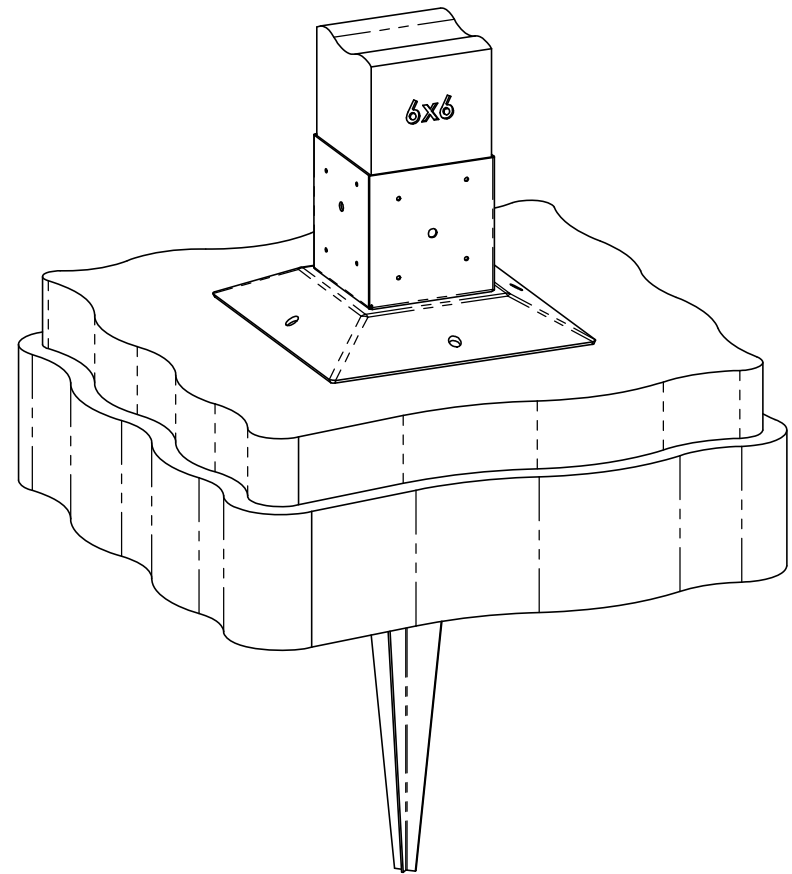
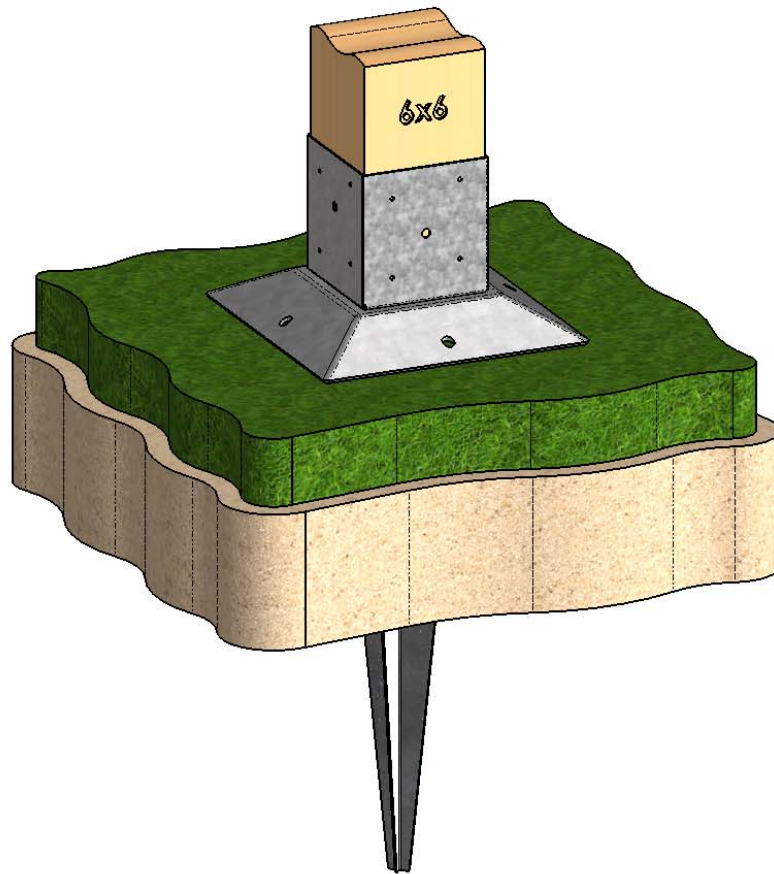
deck foundation system

OZCO BUILDING PRODUCTS

# Product & Packaging Specs

T6-700, 32", 6x6

Item #: 30410



Weight: 40.58 LBS  
Scale: 1:8  
Last updated: 10/14/2016

50880



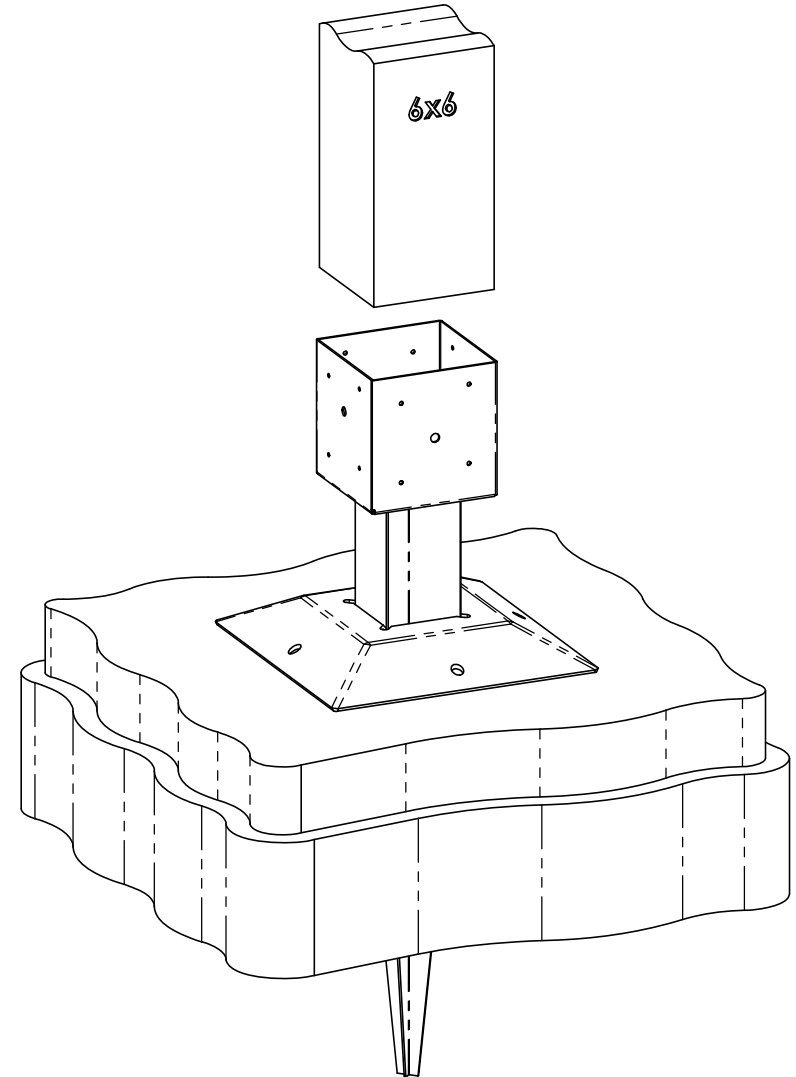
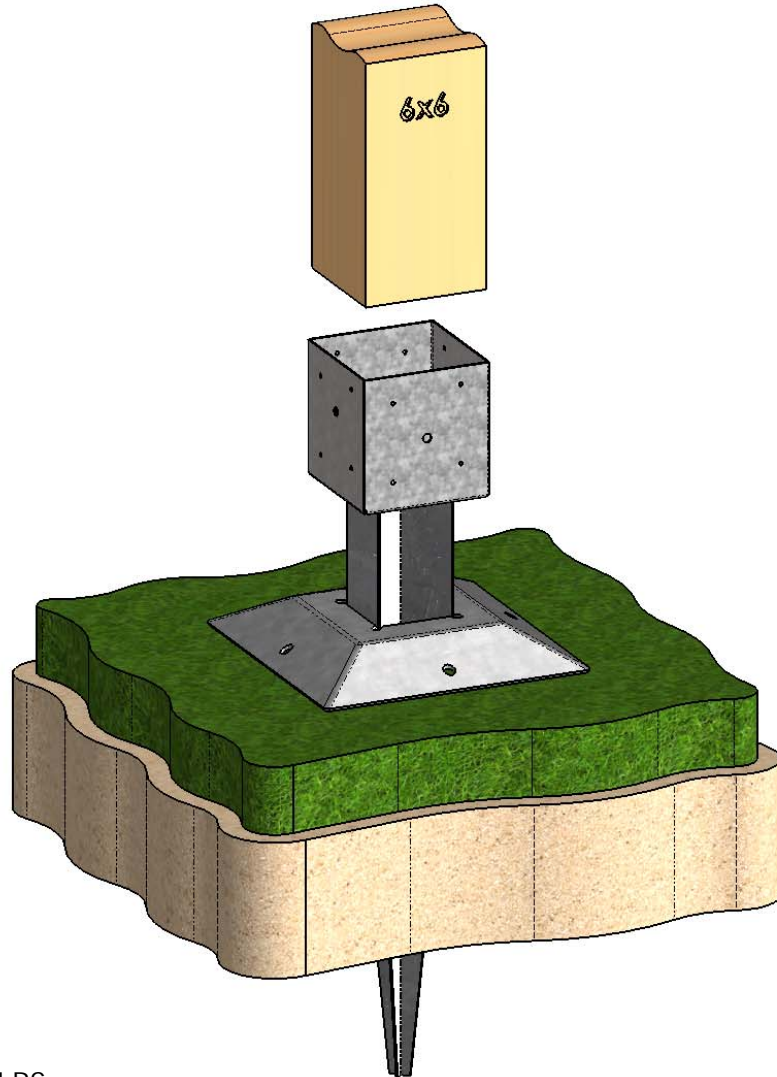
deck foundation system

OZCO BUILDING PRODUCTS

# Product & Packaging Specs

## 12"x12" Deck Plate

Item #: Basic Assembly



Weight: 40.58 LBS  
Scale: 1:8  
Last updated: 10/14/2016

50880



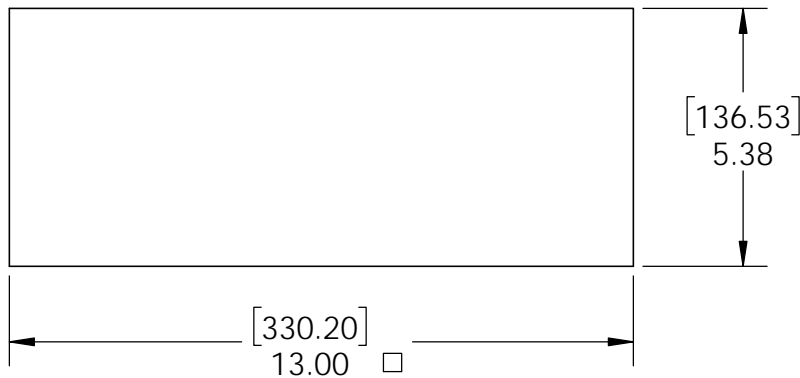
deck foundation system

OZCO BUILDING PRODUCTS

# Product & Packaging Specs

Box, 50880

Item #: Box



Material: Corrugated Paper  
 Finish: Natural  
 Weight: 0.27 LBS  
 Scale: 1:4  
 Last updated: 10/14/2016

50880



deck foundation system

OZCO BUILDING PRODUCTS

# Product & Packaging Specs

## 50880 Packing

Item #: Box packing



Weight: 45.32 LBS

Scale: 1:4

Last updated: 10/14/2016

50880

V2.00 - Installation Instructions, Specifications and Project Plans are effective 10/14/2016 . This information is updated periodically and should not be relied upon after 2 years from 10/14/2016 . Please visit OZCOBP.com to get current information.





deck foundation system

OZCO BUILDING PRODUCTS

# Product & Packaging Specs

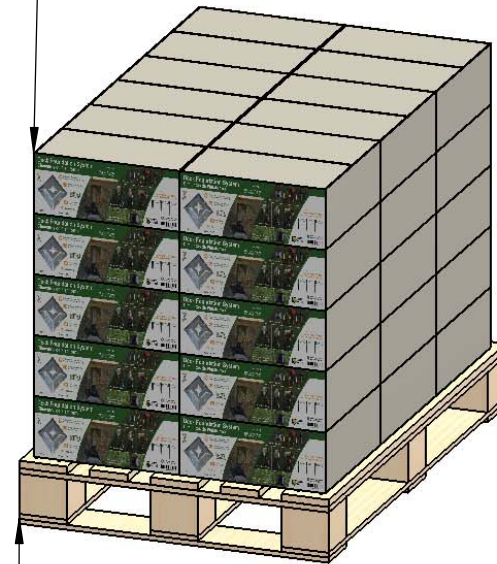
## 50880 Packing

Item #: Case packing

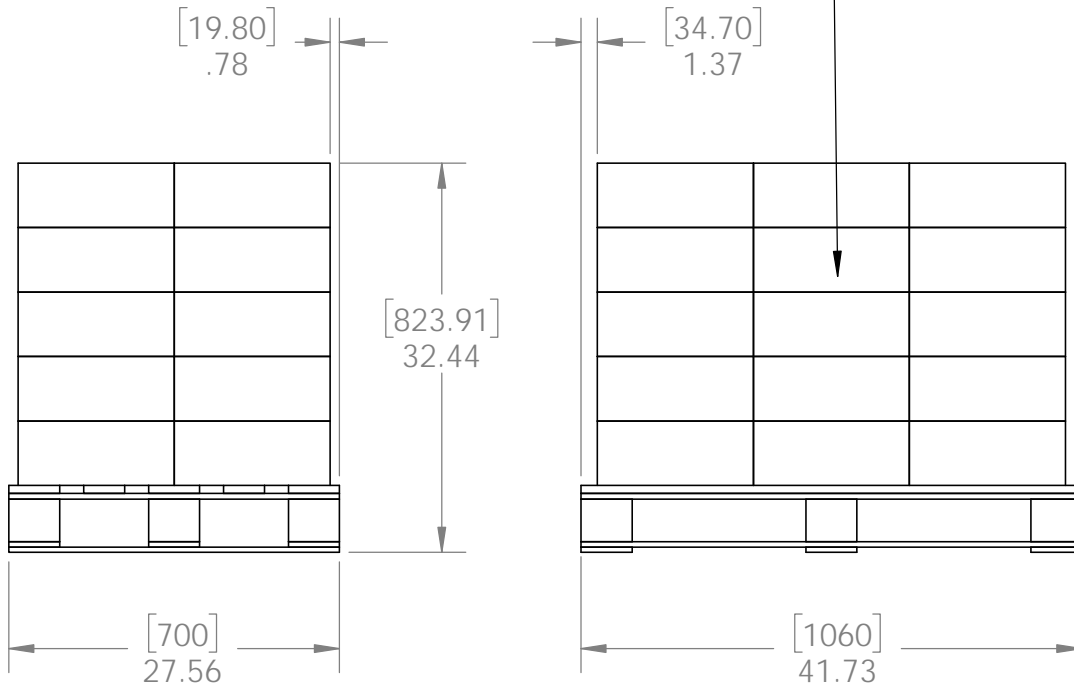
Item #: **50880** | **OD-T4**  
**Oz-Deck T4**  
**PALLET 180 pcs**  
SKU#: **50882**   
**Weight: 1284 lbs**  
LOT# \_\_\_\_\_ Priority# \_\_\_\_\_ 

Total number of cases: 30

Total number of pieces:  
30x6=180 pieces on pallet



B pallet



Weight: 1284 LBS  
Scale: 1:16  
Last updated: 10/14/2016

50880

### additional pallet packing instructions

- plywood on top layer
- strap to pallet
- clear wrap around boxes