

OZ-PULLER

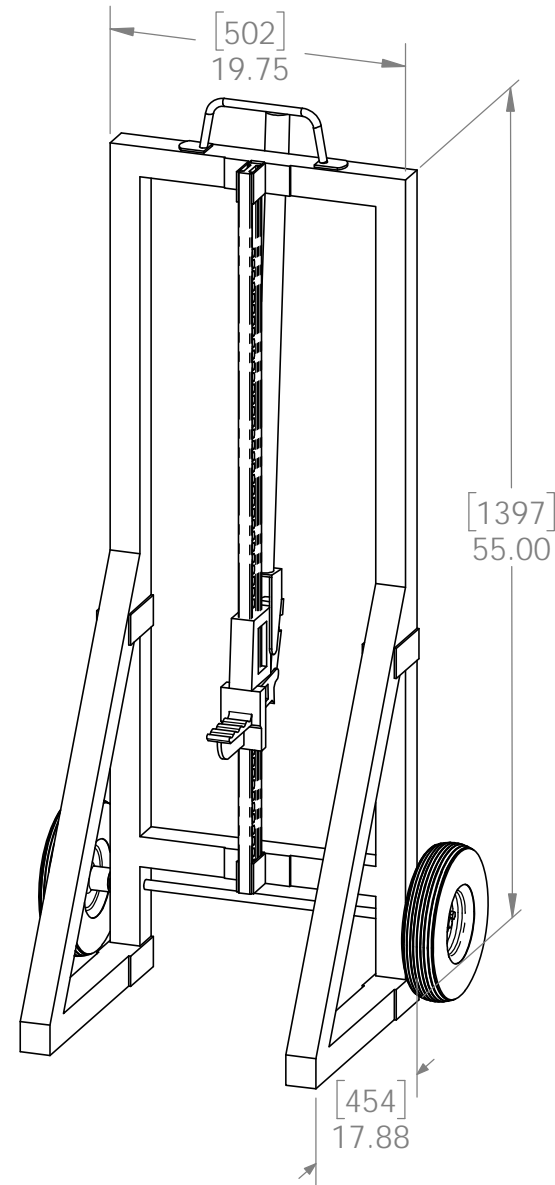
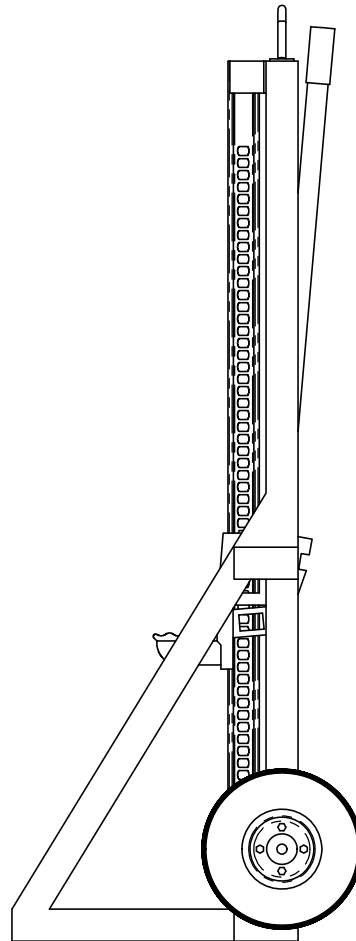
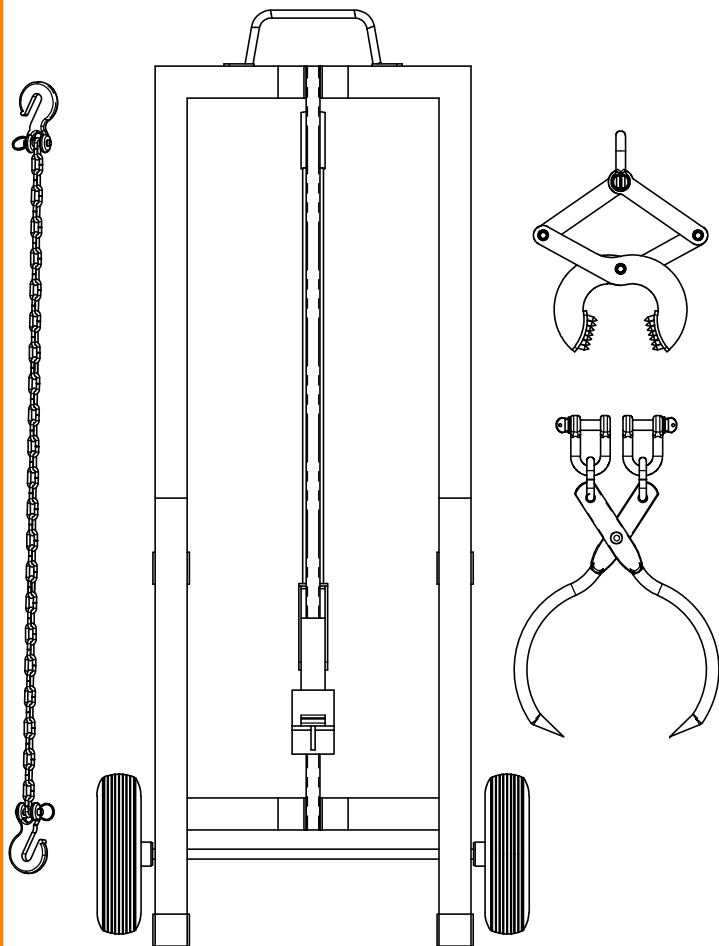
post extraction system

OZCO BUILDING PRODUCTS

Product & Packaging Specs

Oz-Puller with Plug & Post Clamp

Item #: 50800



Weight: 120 LBS
Scale: 1:12
Last updated: 4/28/2016

50800

OZ-PULLER

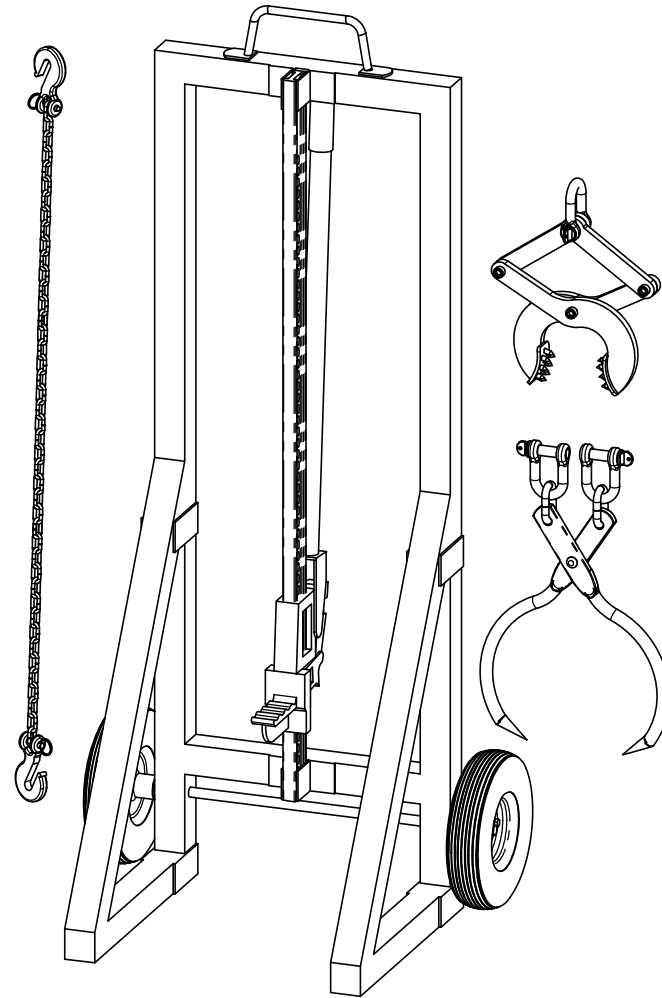
post extraction system

OZCO BUILDING PRODUCTS

Product & Packaging Specs

Oz-Puller with Plug & Post Clamp

Item #: 50800



Weight: 120 LBS
Scale: 1:2
Last updated: 4/28/2016

50800

OZ-PULLER

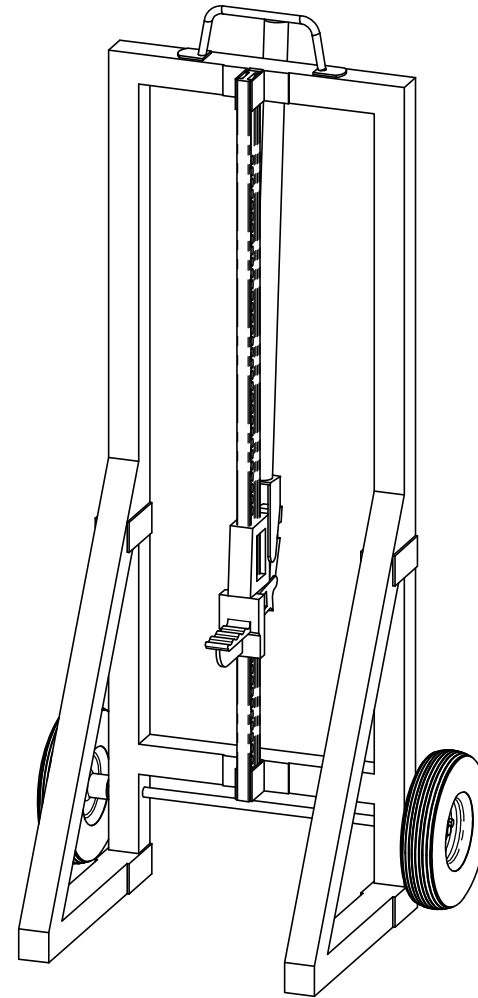
post extraction system

OZCO BUILDING PRODUCTS

Product & Packaging Specs

Oz-Puller with Plug & Post Clamp

Item #:



Weight: 120 LBS
Scale: 1:2
Last updated: 4/28/2016

50800

V2.00 - Installation Instructions, Specifications and Project Plans are effective 4/28/2016 . This information is updated periodically and should not be relied upon after 2 years from 4/28/2016 . Please visit OZCOBP.com to get current information.