



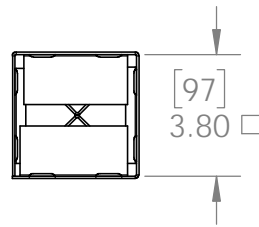
instant post holes

OZCO BUILDING PRODUCTS

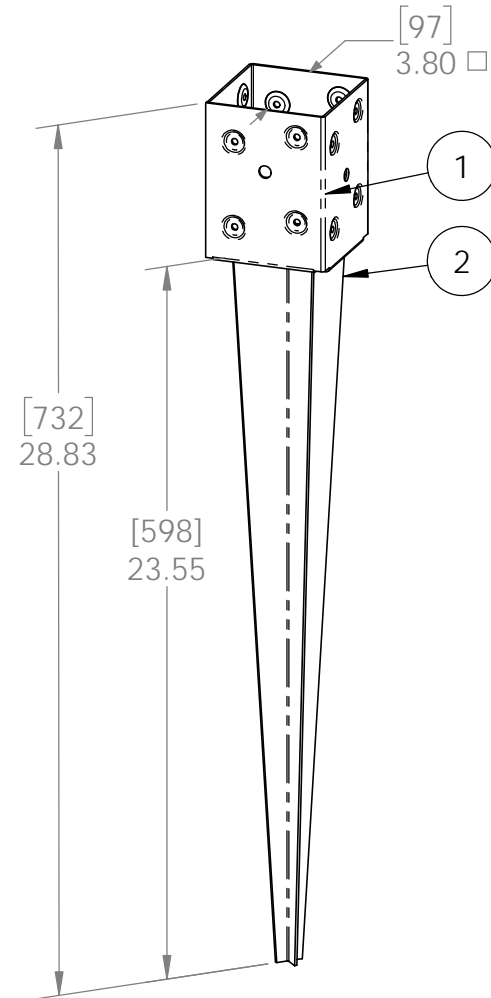
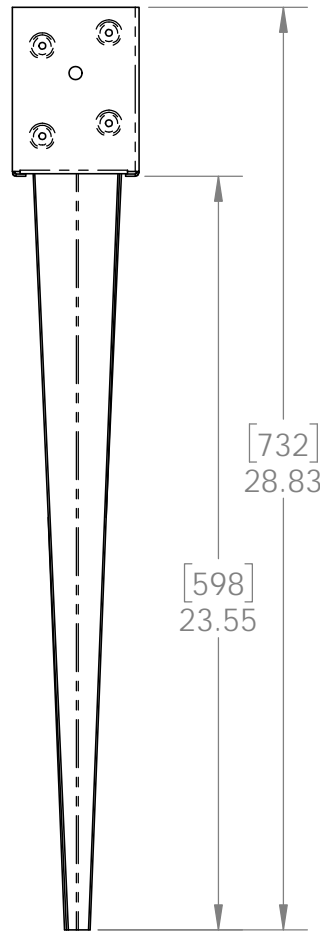
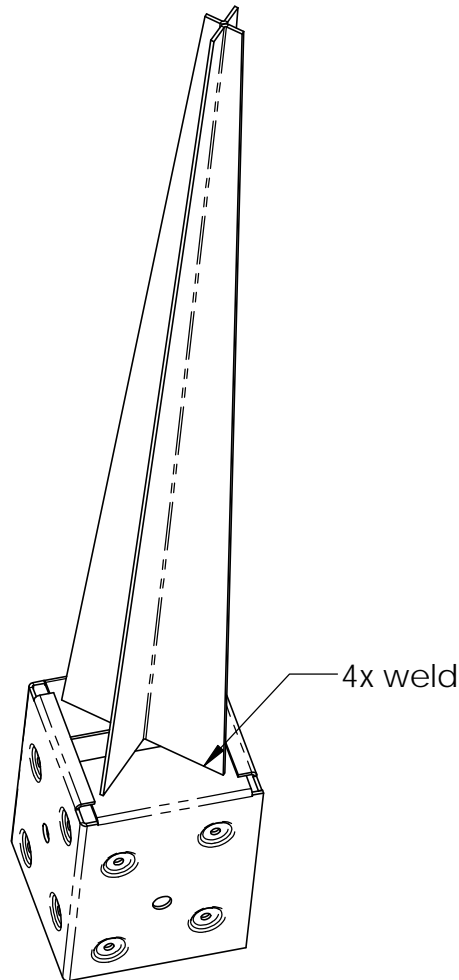
# Product & Packaging Specs

## 27" 4x4 Post Anchor (MB-24)

Item #: 30700



ITEM NO.	30700 /QTY.	PART NUMBER	DESCRIPTION
1	1	30700-11	Chassis, 30700
2	1	30700-12	MB-24 Anchor Assembly



Weight: 4.31 LBS  
 Scale: 1:6  
 Last updated: 10/14/2016

30700-10



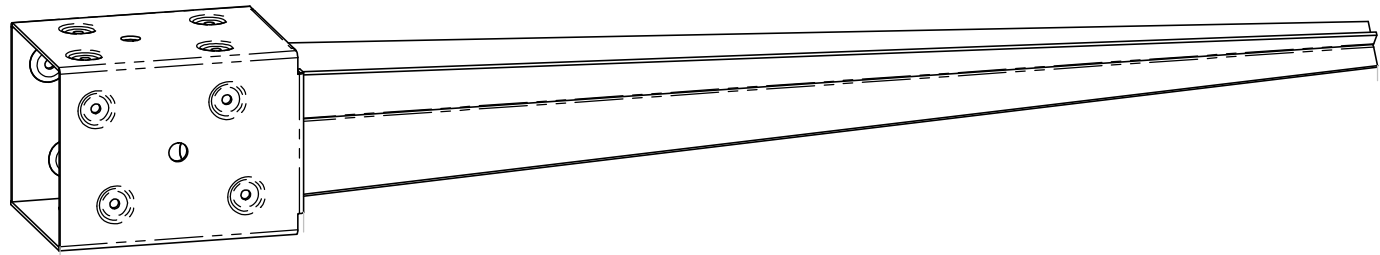
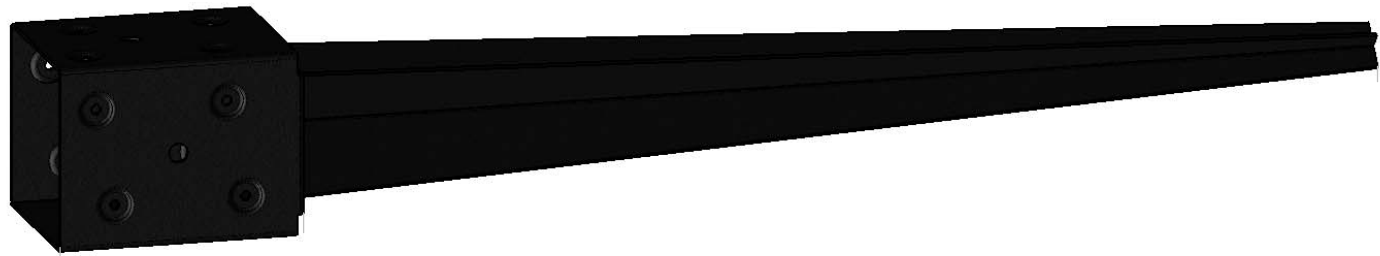
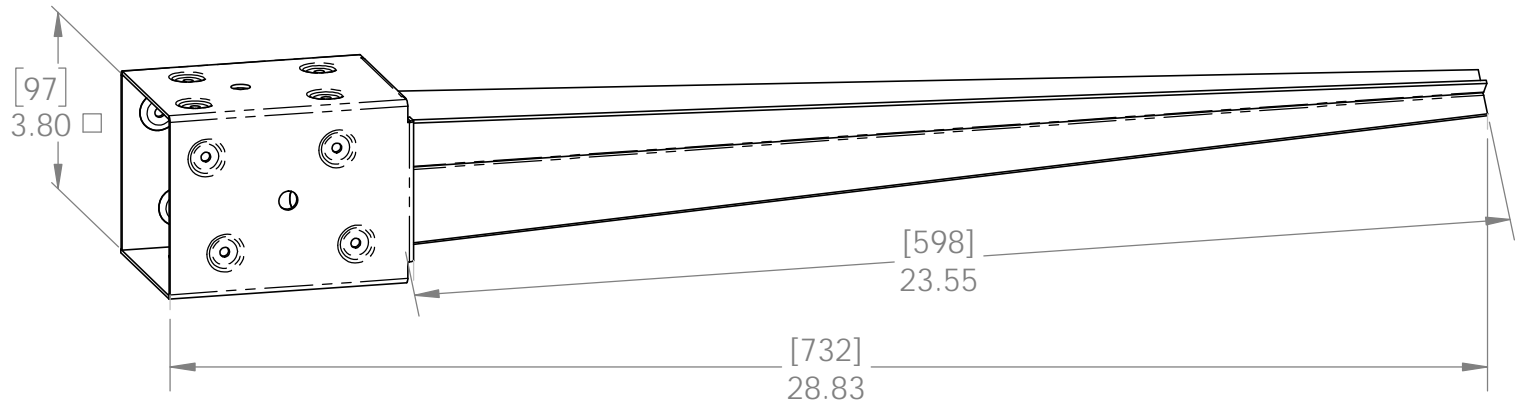
instant post holes

OZCO BUILDING PRODUCTS

# Product & Packaging Specs

27" 4x4 Post Anchor (MB-24)

Item #: 30700



Weight: 4.31 LBS  
Scale: 1:4  
Last updated: 10/14/2016

30700-10



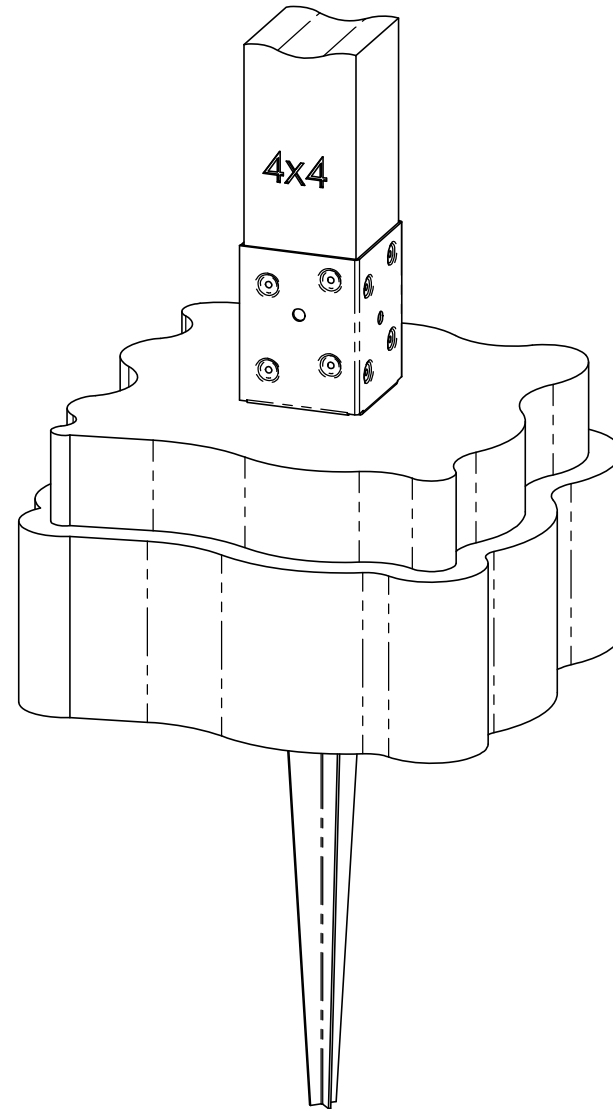
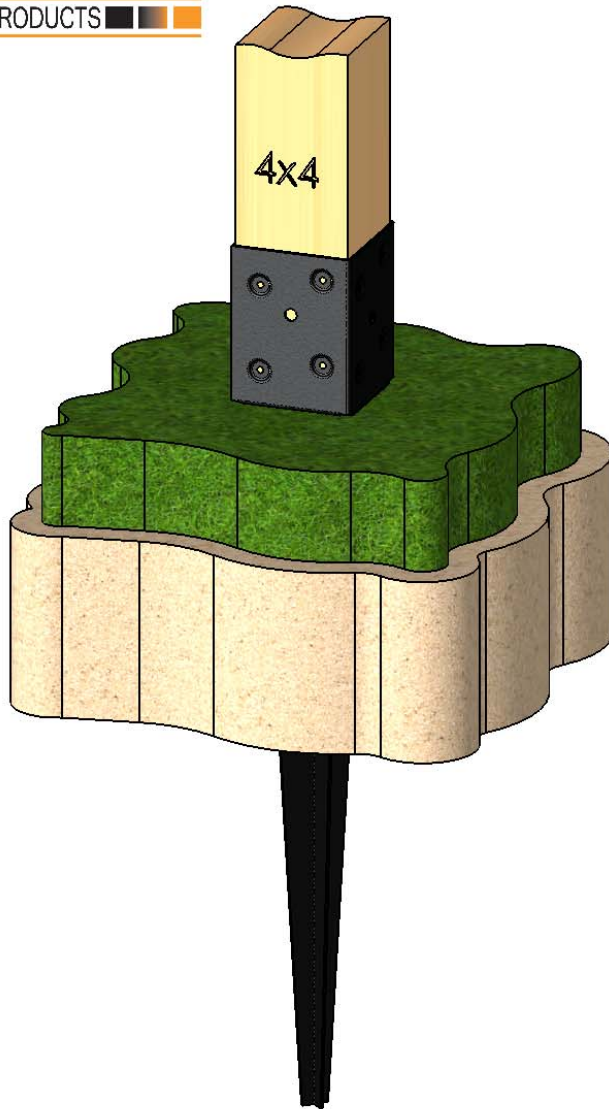
**instant post holes**

**OZCO** BUILDING PRODUCTS ■■■

# Product & Packaging Specs

27" 4x4 Post Anchor (MB-24)

Item #: Typical Installation



Weight: 4.31 LBS  
Scale: 1:4  
Last updated: 10/14/2016

**30700-10**

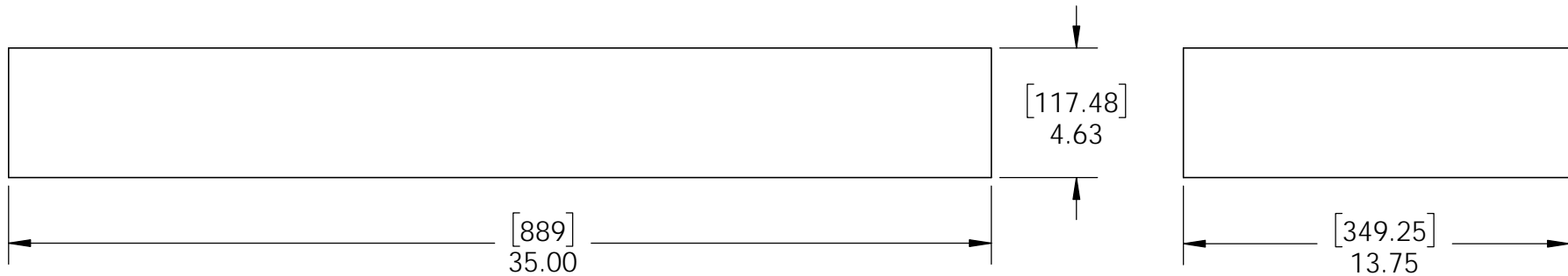
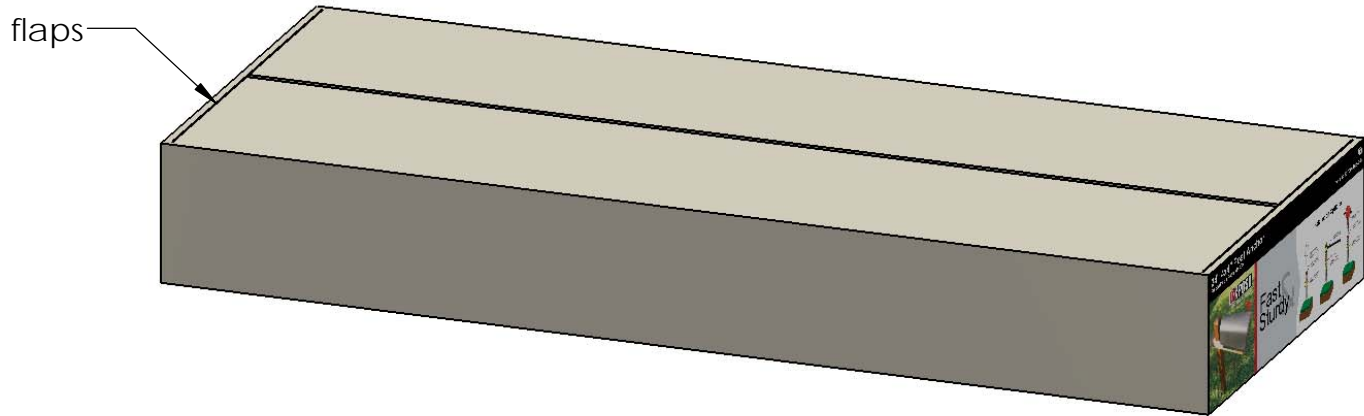
V2.00 - Installation Instructions, Specifications and Project Plans are effective 10/14/2016 . This information is updated periodically and should not be relied upon after 2 years from 10/14/2016 . Please visit [OZCOBP.com](http://OZCOBP.com) to get current information. 3



# Product & Packaging Specs

Case, 30700

Item #: Case



Material: Corrugated Paper  
 Finish: See artwork  
 Weight: 2.01 LBS  
 Scale: 1:6  
 Last updated: 10/14/2016

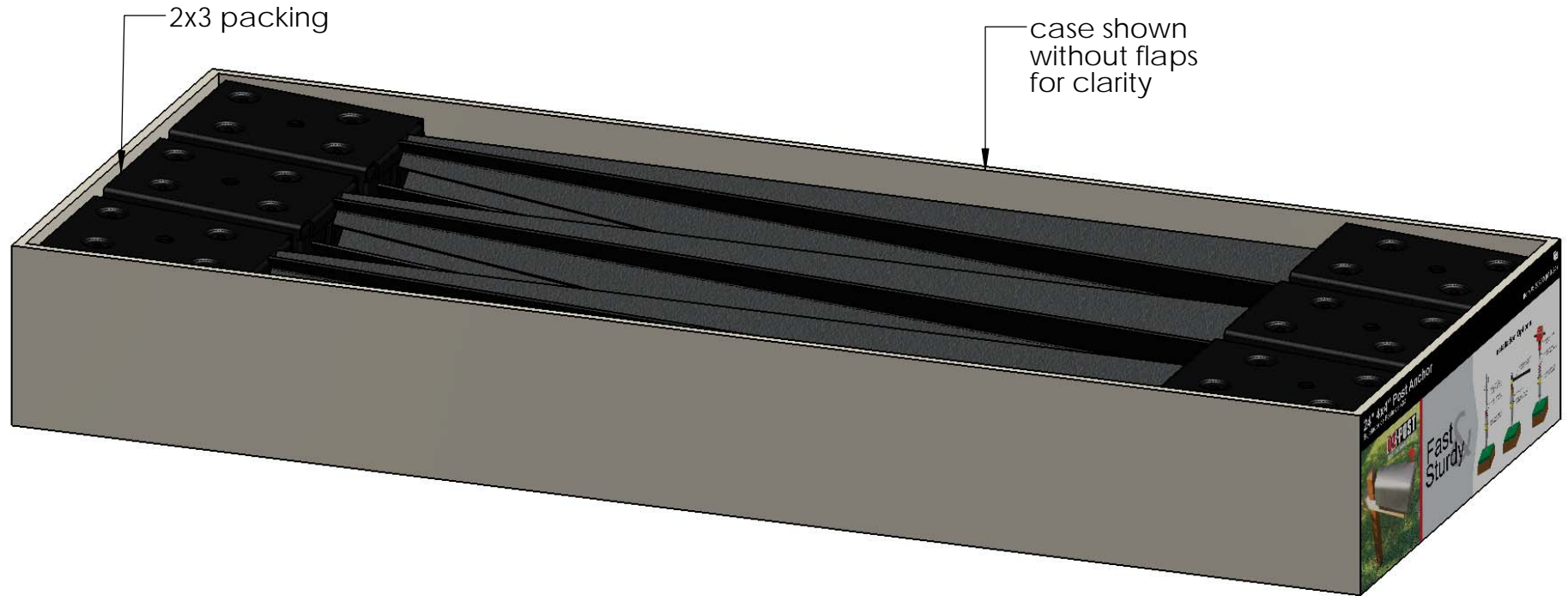
30700-10



# Product & Packaging Specs

30700 packing

Item #: Box packing



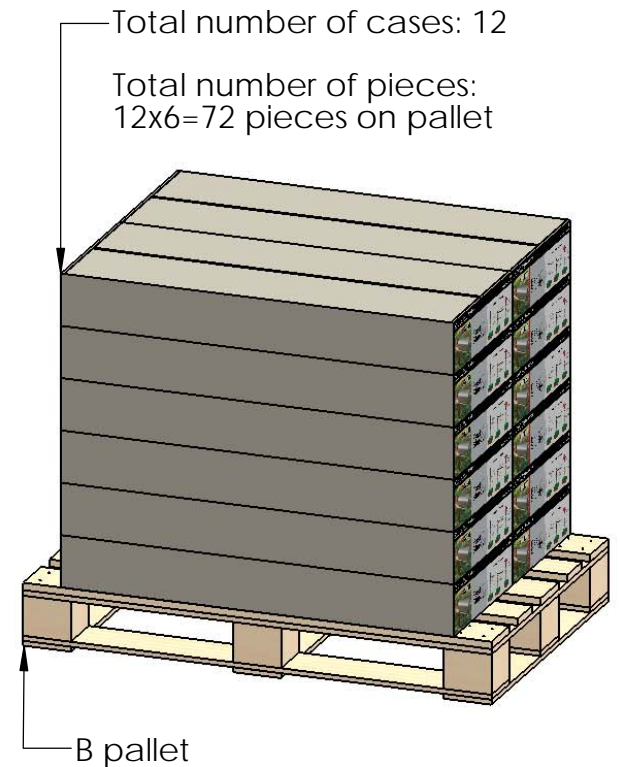
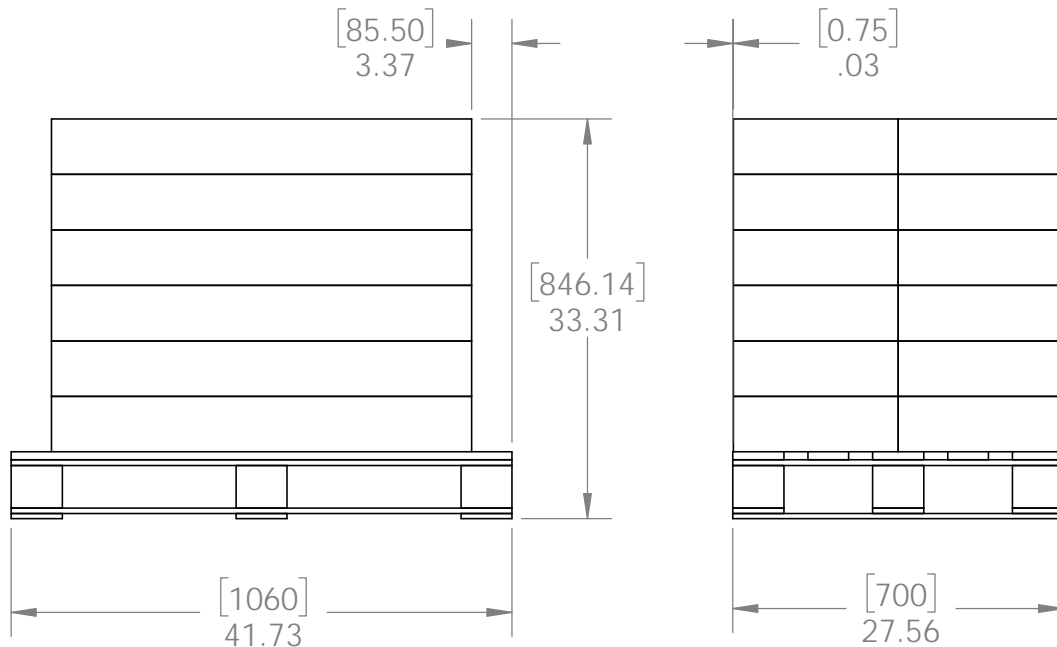
Weight: 27.21 LBS  
Scale: 1:4  
Last updated: 10/14/2016

30700-10



# Product & Packaging Specs

30700 packing  
Item #: Pallet packing



additional pallet packing instructions

- plywood on top layer
- strap to pallet
- clear wrap around boxes

Weight: 350 LBS  
Scale: 1:16  
Last updated: 10/14/2016

30700-10