



instant post holes

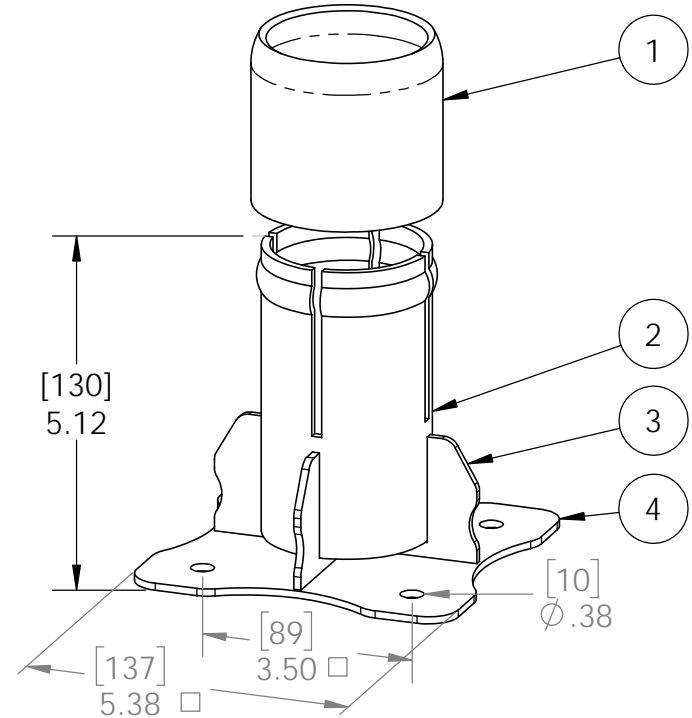
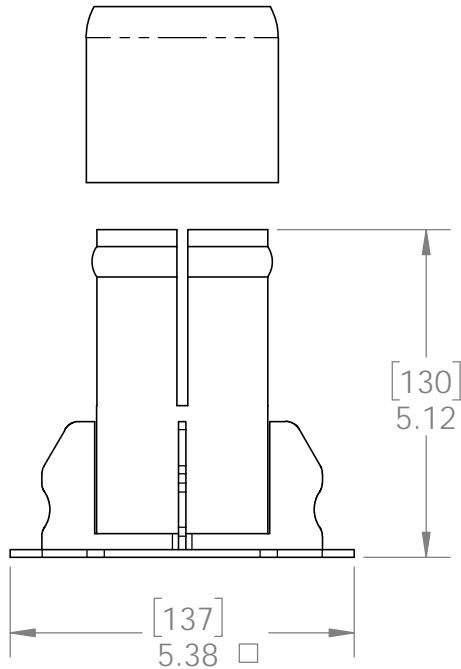
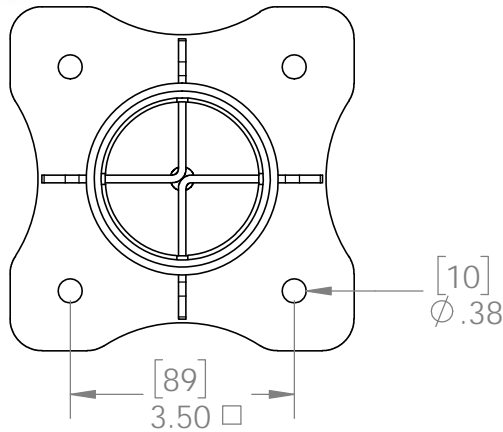
OZCO BUILDING PRODUCTS

Product & Packaging Specs

2-3/8 Dia Steel to Steel Post Base (238-IS-PB)

Item #: 30500

ITEM NO.	QTY.	PART NUMBER	DESCRIPTION
1	1	30040-14	Cap, Post Anchor Steel
2	1	30040-13	Base, Post Anchor Steel
3	2	30500-12	Gusset, 2 3/8" Round Post Base (238-IS-PB)
4	1	30500-11	Base, 2 3/8" Round Post Base (238-IS-PB)



Weight: 3.35 LBS
 Scale: 1:3
 Last updated: 10/14/2016

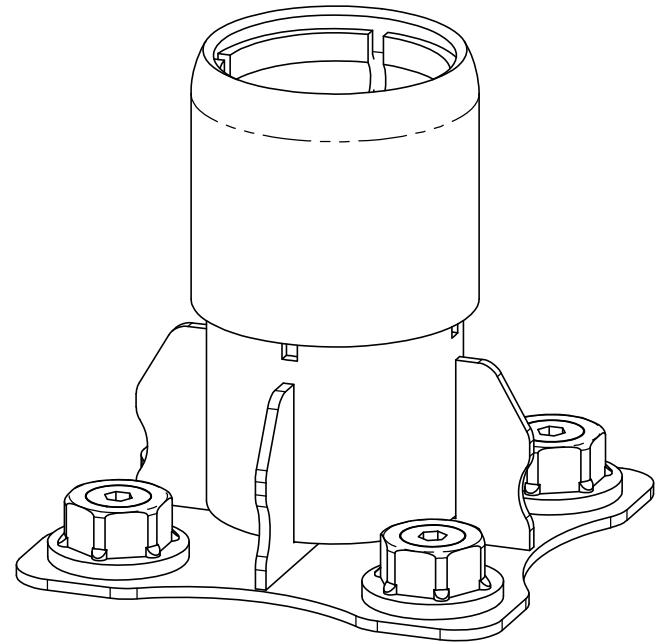
30500



Product & Packaging Specs

2-3/8 Dia Steel to Steel Post Base (238-IS-PB)

Item #:



Weight: 3.35 LBS
Scale: 1:2
Last updated: 10/14/2016

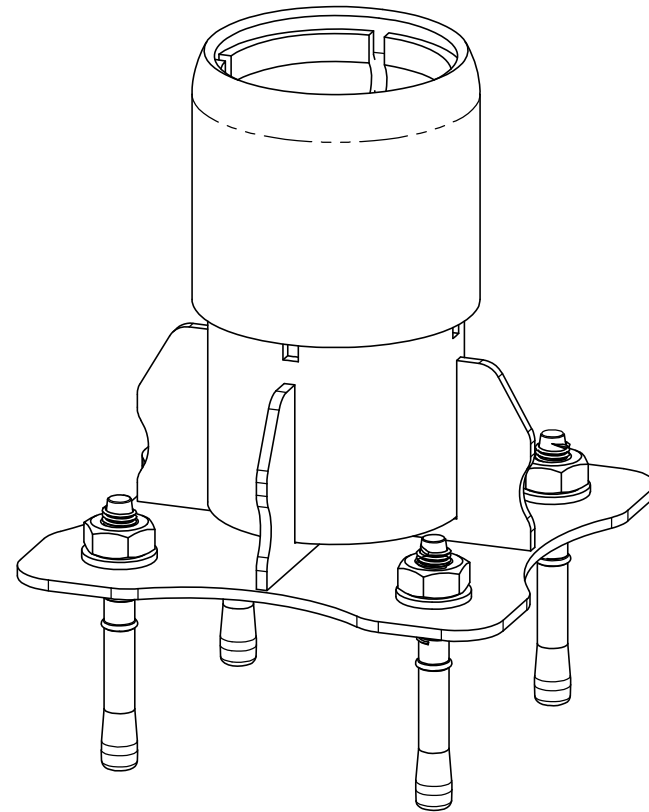
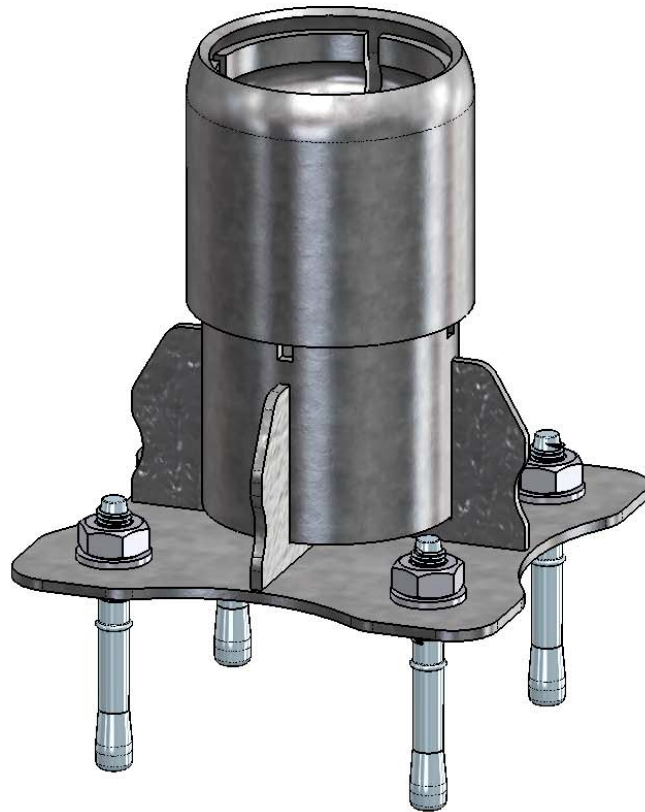
30500



Product & Packaging Specs

2-3/8 Dia Steel to Steel Post Base (238-IS-PB)

Item #:



Weight: 3.35 LBS
Scale: 1:2
Last updated: 10/14/2016

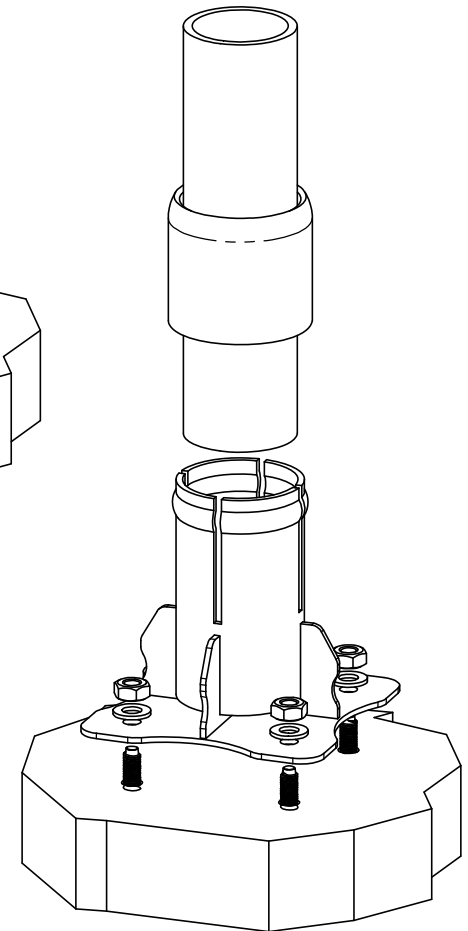
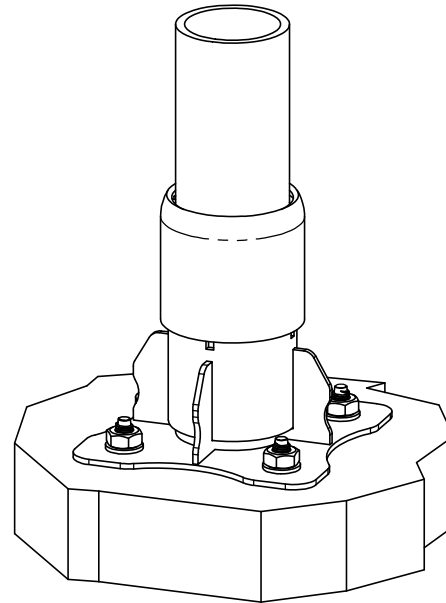
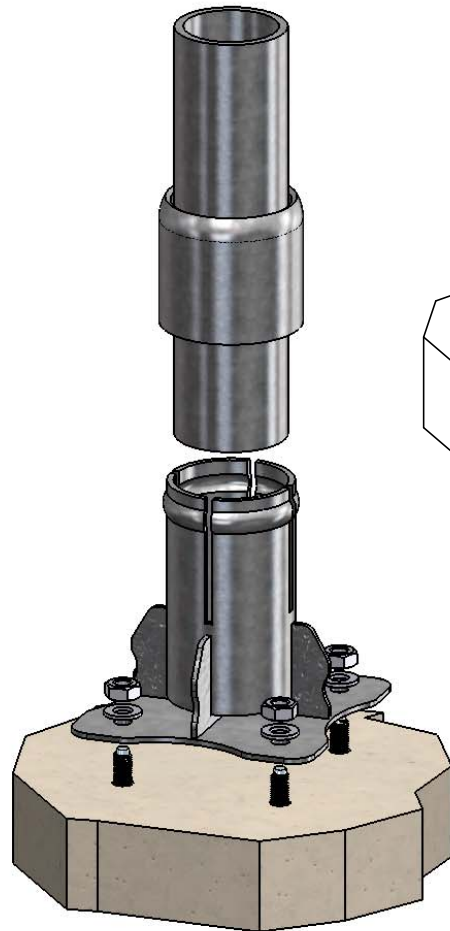
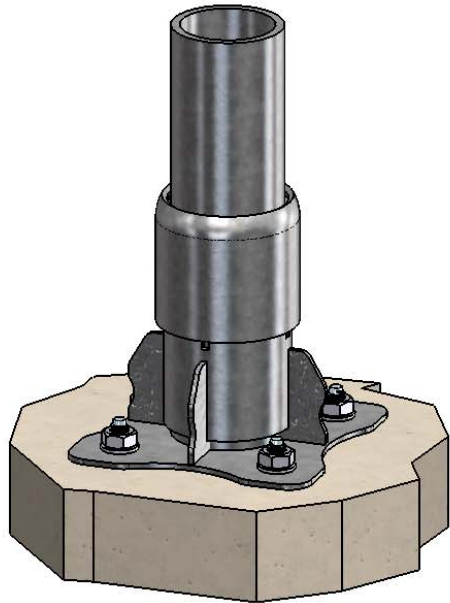
30500



Product & Packaging Specs

2-3/8 Dia Steel to Steel Post Base (238-IS-PB)

Item #: Typical Installation & Basic Assembly



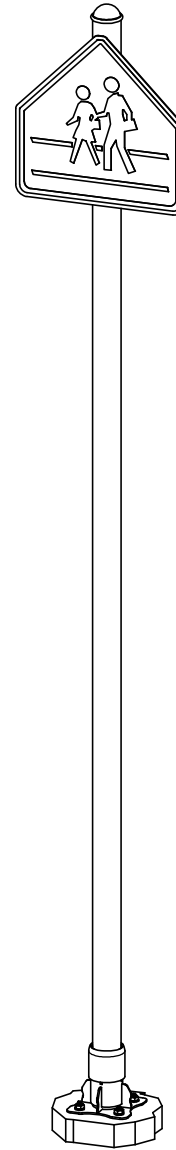
Weight: 18.99 LBS
Scale: 1:4
Last updated: 10/14/2016

30500



Product & Packaging Specs

2-3/8 Dia Steel to Steel Post Base (238-IS-PB)
Item #: Typical Installation & Basic Assembly



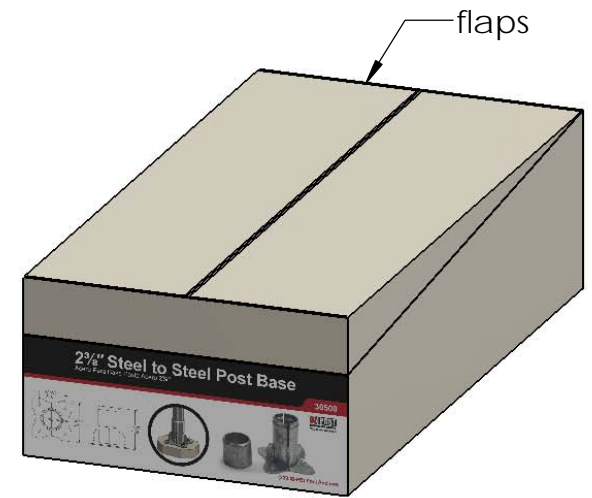
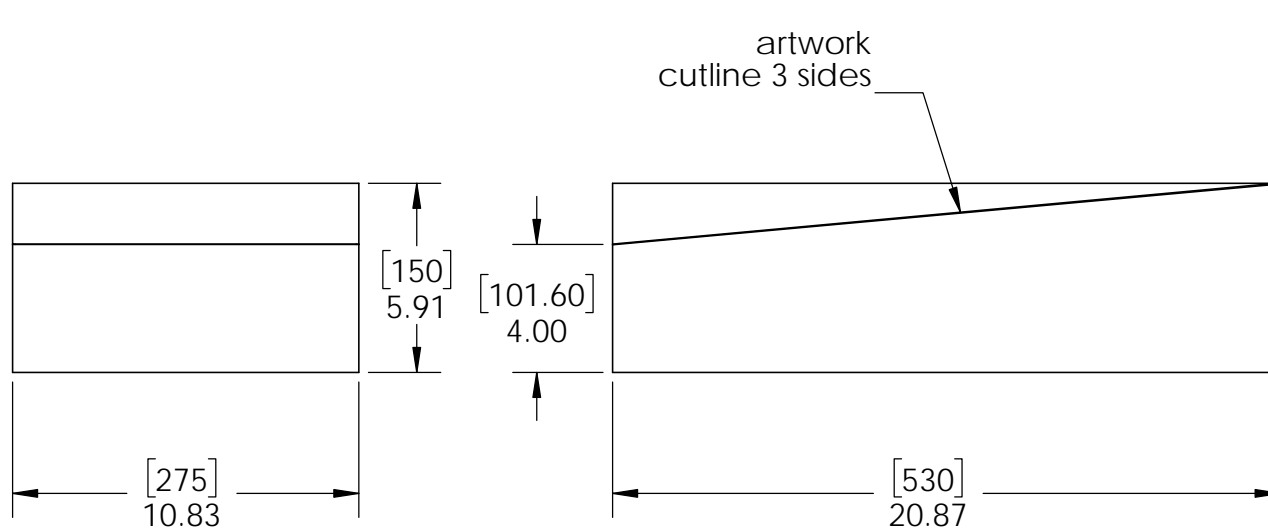
Weight: 52.64 LBS
Scale: 1:16
Last updated: 10/14/2016

30500



Product & Packaging Specs

Case, 30500
Item #: Case, 30500



Material: Corrugated Paper
Finish: See artwork
Weight: 0.36 LBS
Scale: 1:6
Last updated: 10/14/2016

30500



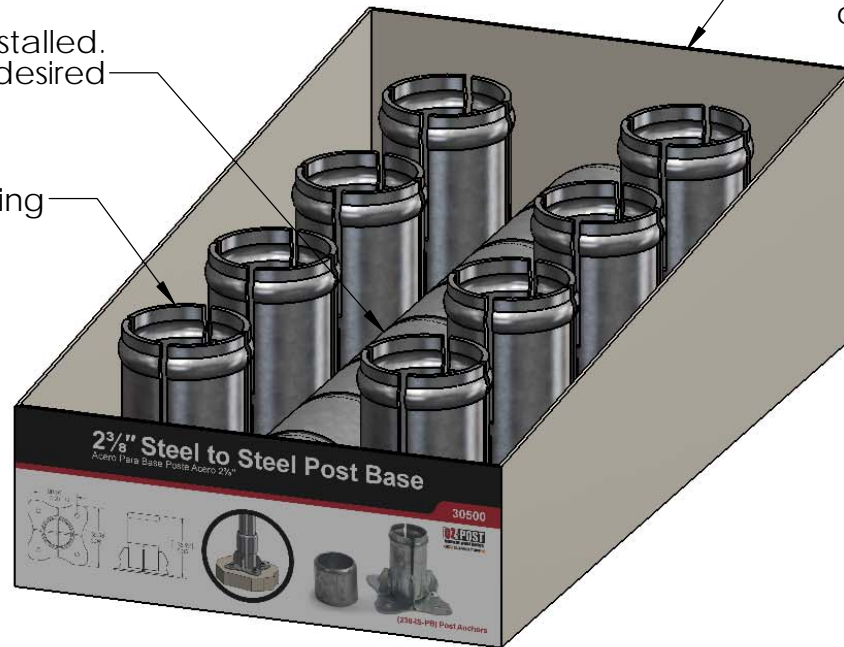
Product & Packaging Specs

30500 Packing
Item #: Case packing

note caps are not installed.
place inside box as desired

2x4 packing

box shown
cut & without
flaps for
clarity



Weight: 25 LBS
Scale: 1:4
Last updated: 10/14/2016

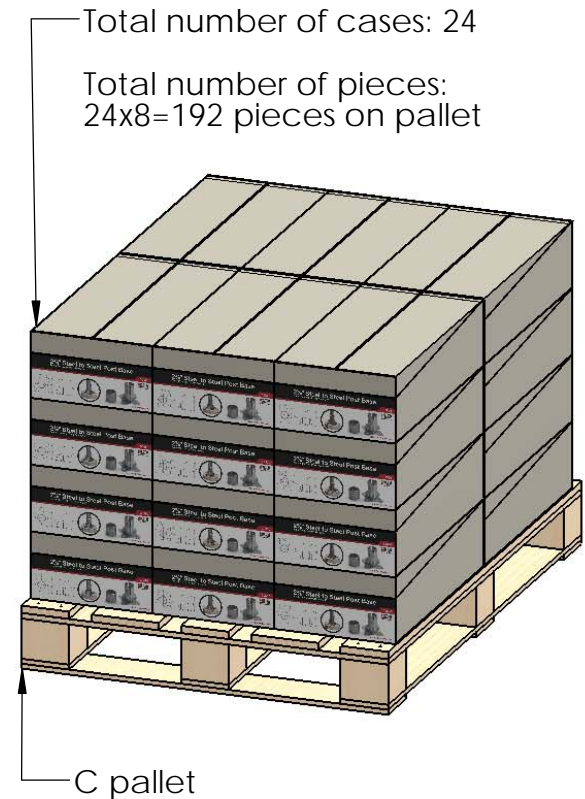
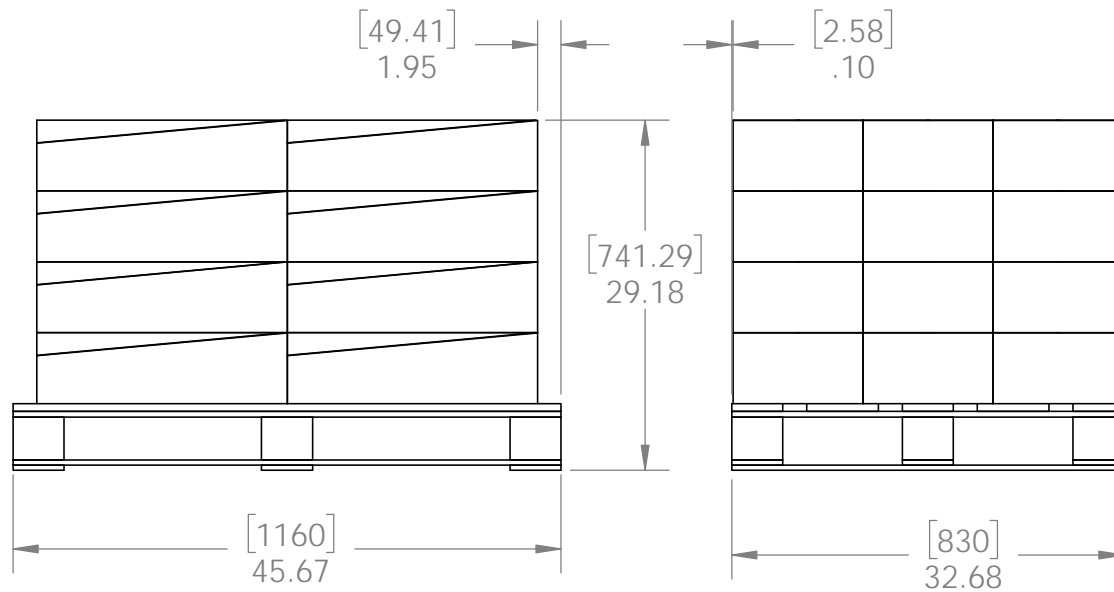
30500

V2.00 - Installation Instructions, Specifications and Project Plans are effective 10/14/2016 . This information is updated periodically and should not be relied upon after 2 years from 10/14/2016 . Please visit OZCOBP.com to get current information.



Product & Packaging Specs

30500 Packing
Item #: Pallet packing



additional pallet packing instructions
plywood on top layer
strap to pallet
clear wrap around boxes

Weight: 613 LBS
Scale: 1:16
Last updated: 10/14/2016

30500