



instant post holes

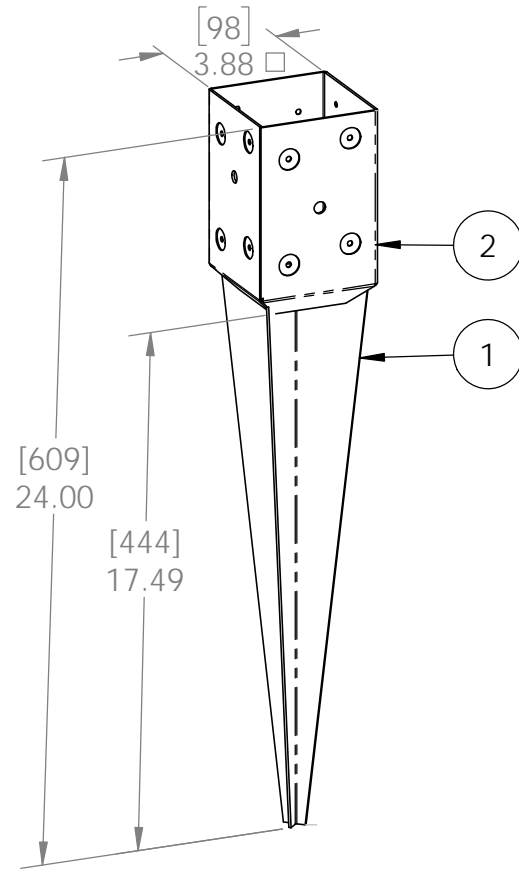
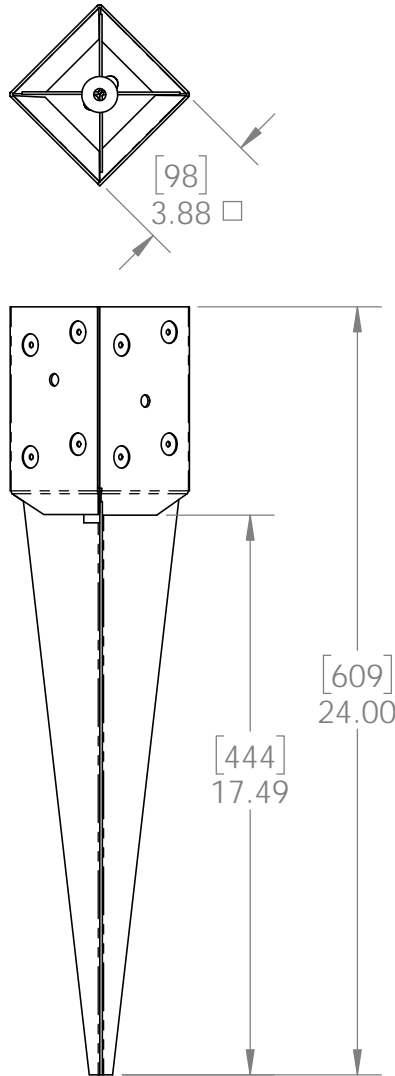
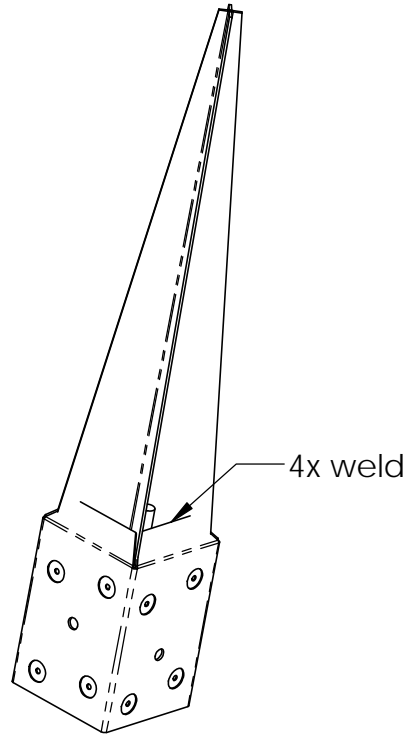
OZCO BUILDING PRODUCTS

Product & Packaging Specs

24" 4x4 Post Anchor (T4-600)

Item #: 30180

ITEM NO.	QTY.	PART NUMBER	DESCRIPTION
1	1	30180-11	Assembly, Anchor T4-600
2	1	30180-13	Base, 4x4 Post Anchor Wood



Weight: 4.74 LBS
 Scale: 1:6
 Last updated: 10/14/2016

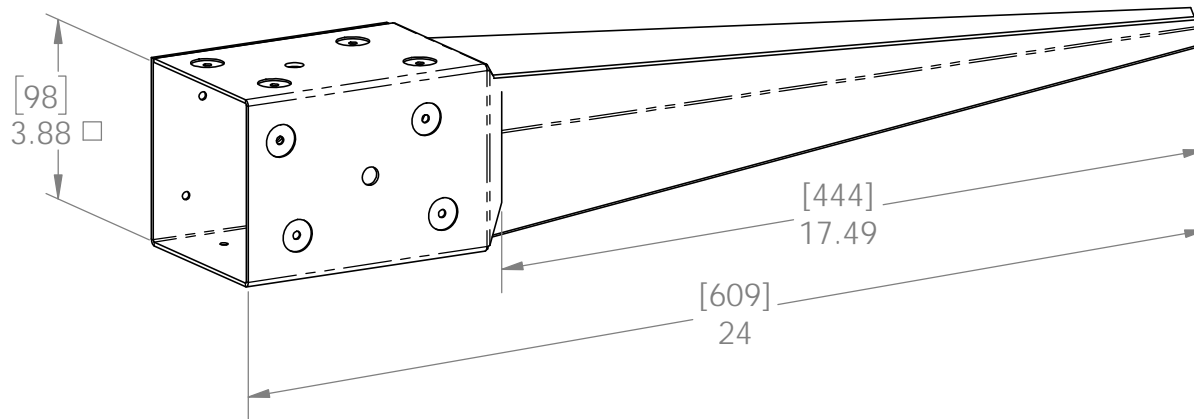
30180-10



Product & Packaging Specs

24" 4x4 Post Anchor (T4-600)

Item #: 30180



Weight: 4.74 LBS
Scale: 1:4
Last updated: 10/14/2016

30180-10

OZ-POST

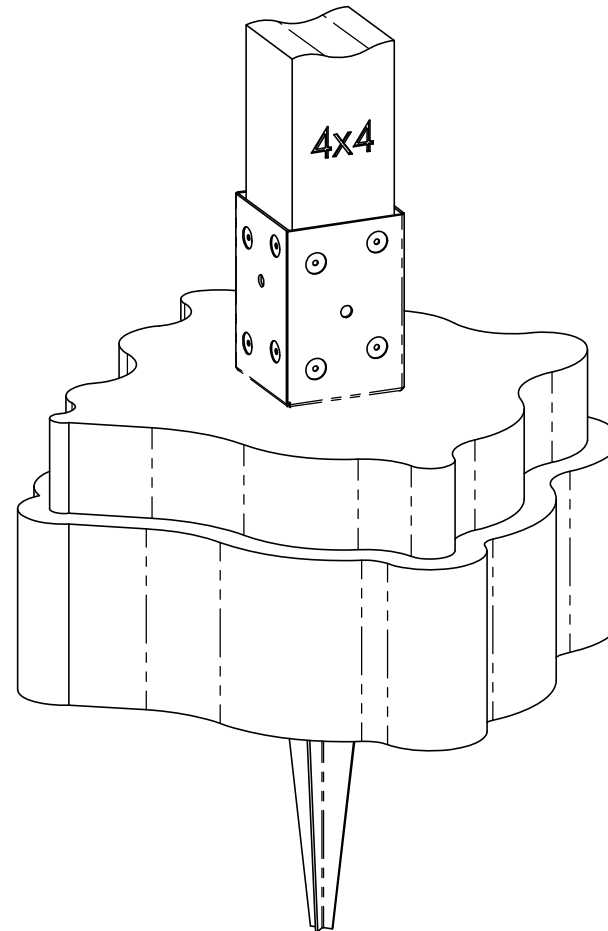
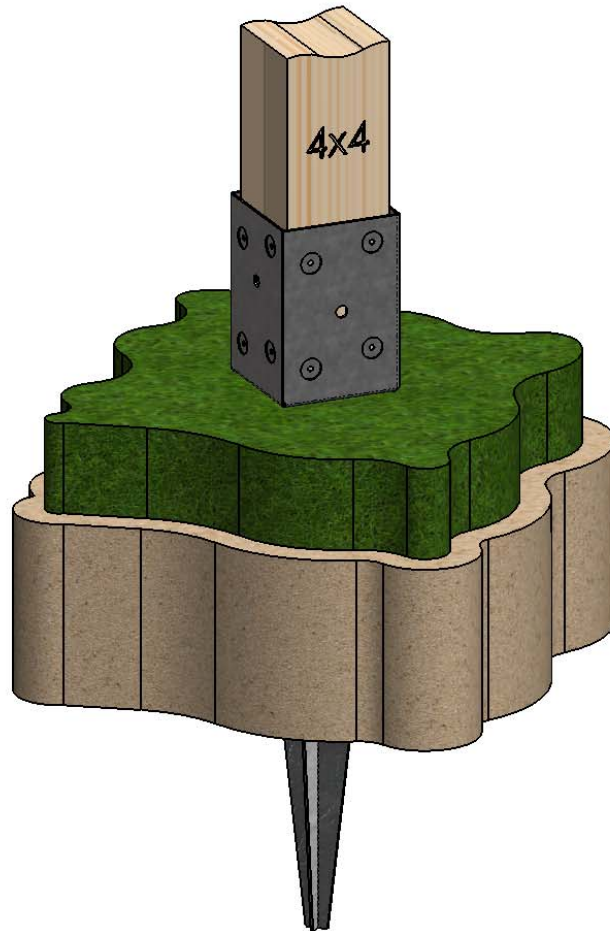
instant post holes

OZCO BUILDING PRODUCTS

Product & Packaging Specs

24" 4x4 Post Anchor (T4-600)

Item #:



Weight: 4.74 LBS

Scale: 1:6

Last updated: 10/14/2016

30180-10

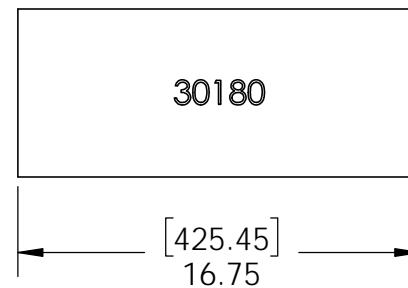
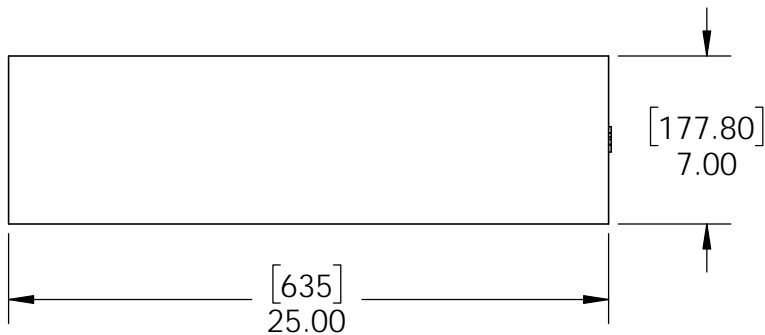
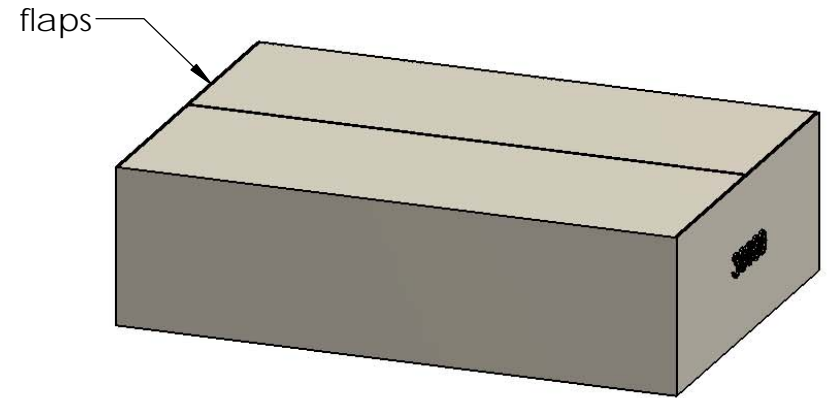
V2.00 - Installation Instructions, Specifications and Project Plans are effective 10/14/2016 . This information is updated periodically and should not be relied upon after 2 years from 10/14/2016 . Please visit OZCOBP.com to get current information.



Product & Packaging Specs

Case, T4-600

Item #: Box, 30180



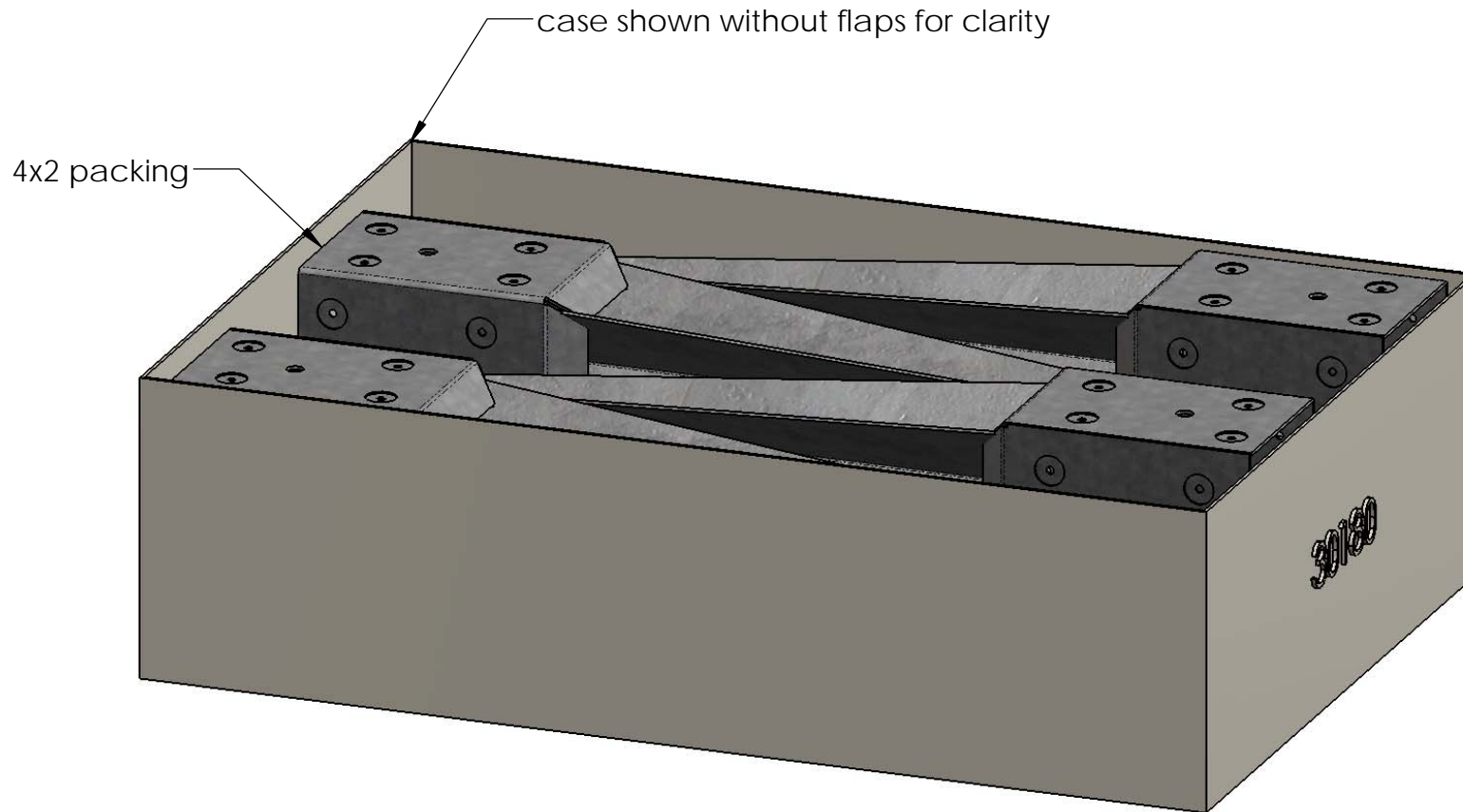
Material: Corrugated Paper
 Finish: See artwork
 Weight: 0.45 LBS
 Scale: 1:8
 Last updated: 10/14/2016

30180-10



Product & Packaging Specs

30180 Packing
Item #: Case packing



Weight: 38.38 LBS
Scale: 1:4
Last updated: 10/14/2016

30180-10

V2.00 - Installation Instructions, Specifications and Project Plans are effective 10/14/2016 . This information is updated periodically and should not be relied upon after 2 years from 10/14/2016 . Please visit OZCOBP.com to get current information. 10



instant post holes

OZCO BUILDING PRODUCTS

Item #: 30180 | T4-600

T4-600 (3 1/2" Square) Wood

PALLET 120 pcs

SKU#: 30182



Weight: 726 lbs

LOT# Priority#

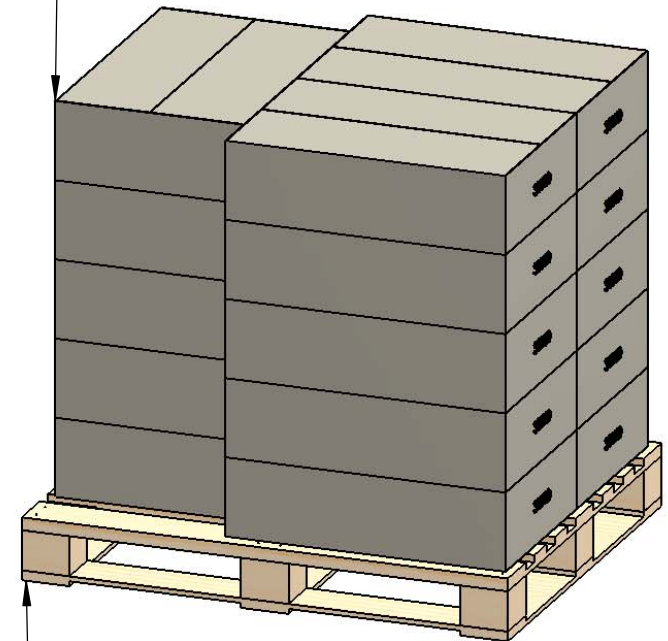
Product & Packaging Specs

30180 Packing

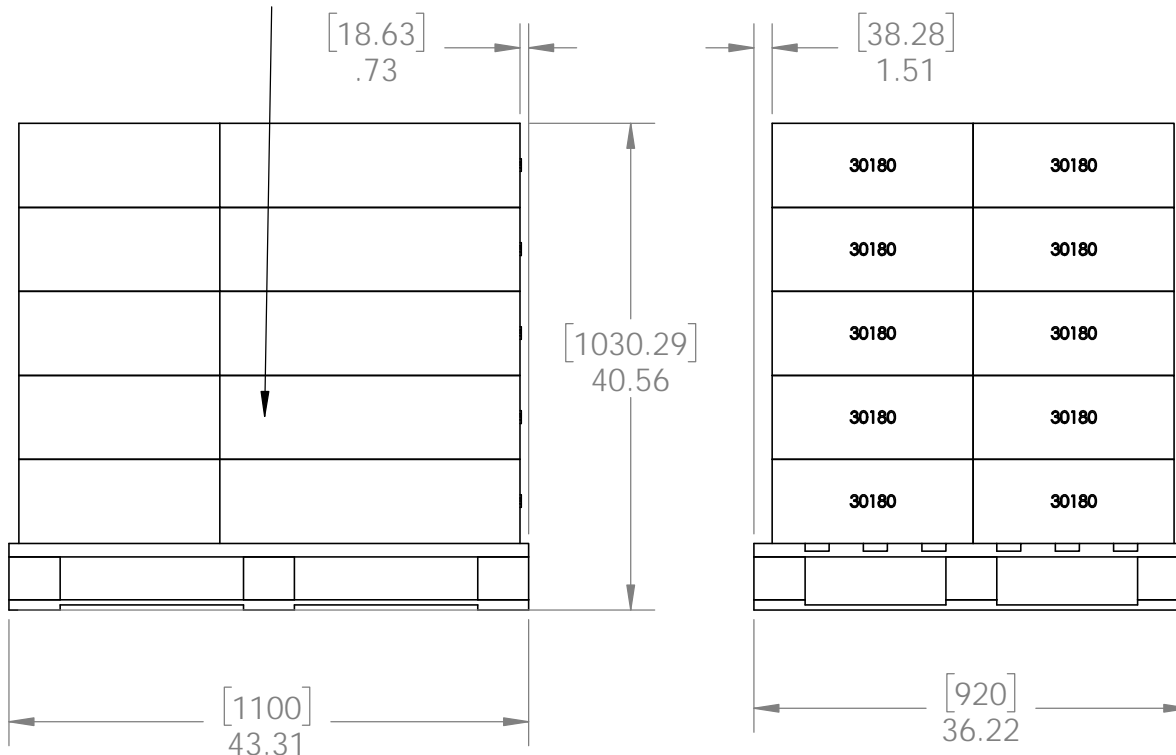
Item #: Pallet packing

Total number of cases: 15

Total number of pieces:
15x8=120 pieces on pallet



D pallet



Weight: 726 LBS
Scale: 1:16
Last updated: 10/14/2016

additional pallet packing instructions
plywood on top layer
strap to pallet
clear wrap around boxes

30180-10