

Installation Instructions, 2 3/8" OD Star (STAR2.375) 56623 3 3/8" OD Star (STAR3.375) 56624



2 3/8" OD Star
56623



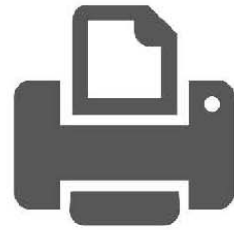
3 3/8" OD Star
56624

Stars can be installed standalone (shown) or added accessory to Post Bases, Post to Beams & Truss Accents

installs with phillips screwdriver in standalone installation (shown)

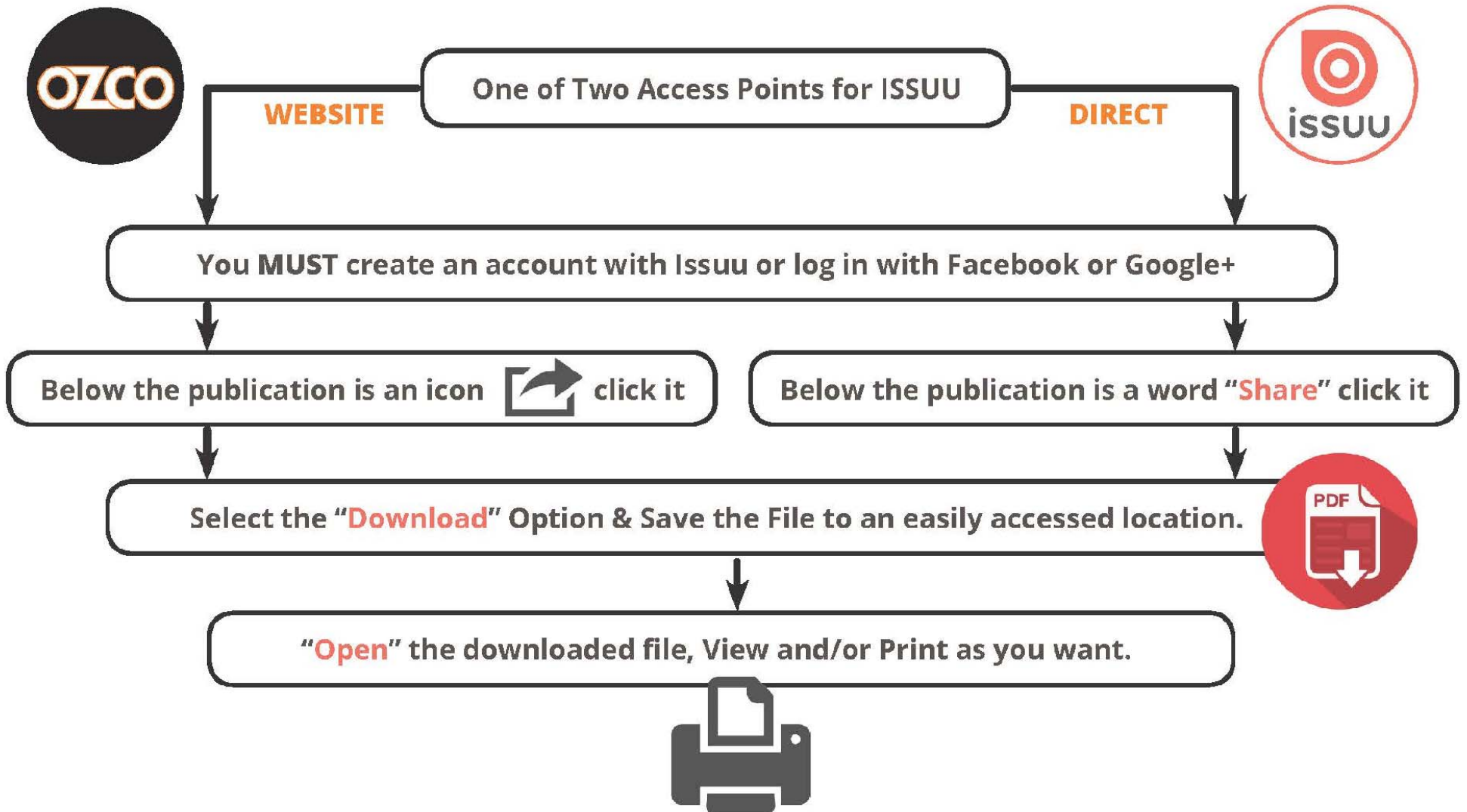
for other applications, see last page of this document for additional instructions

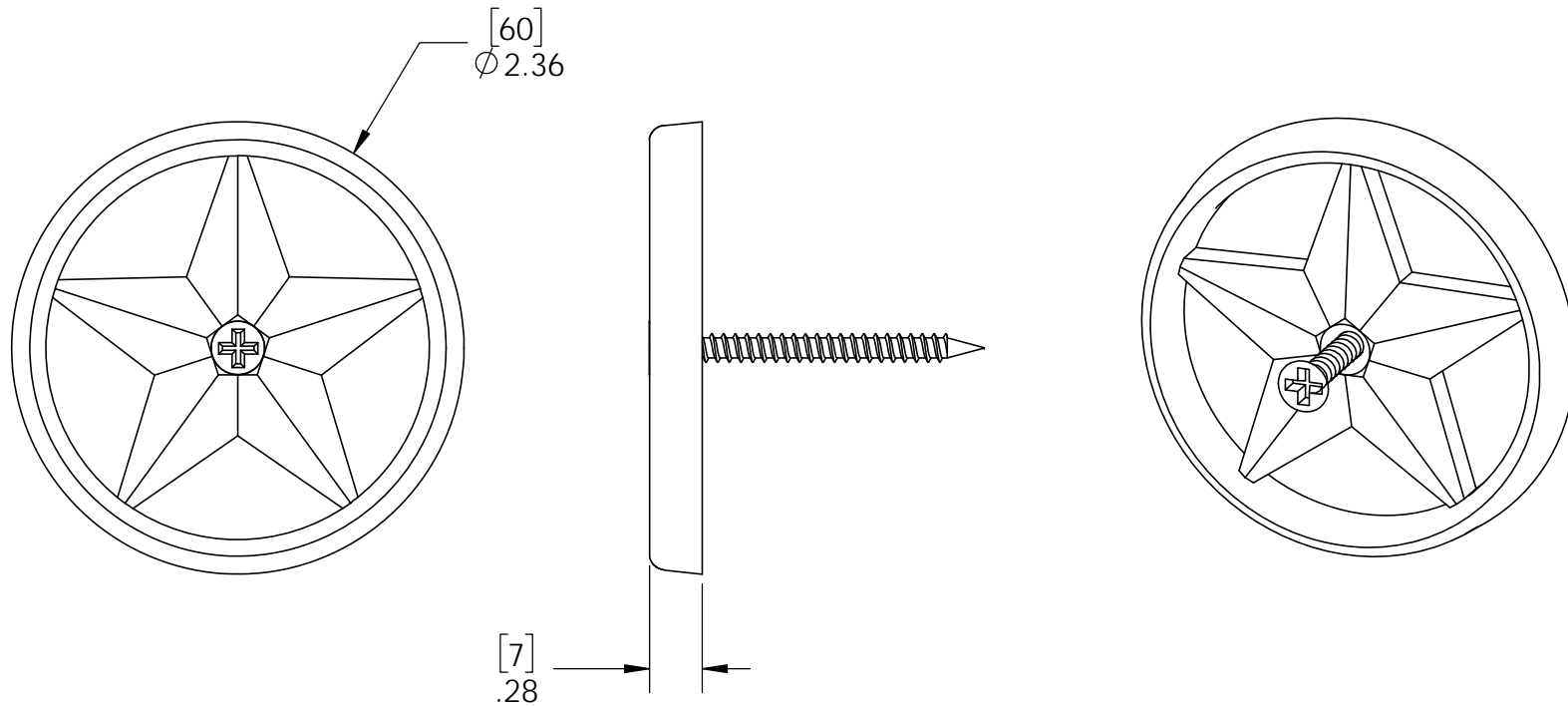




Printing Documents from ISSUU

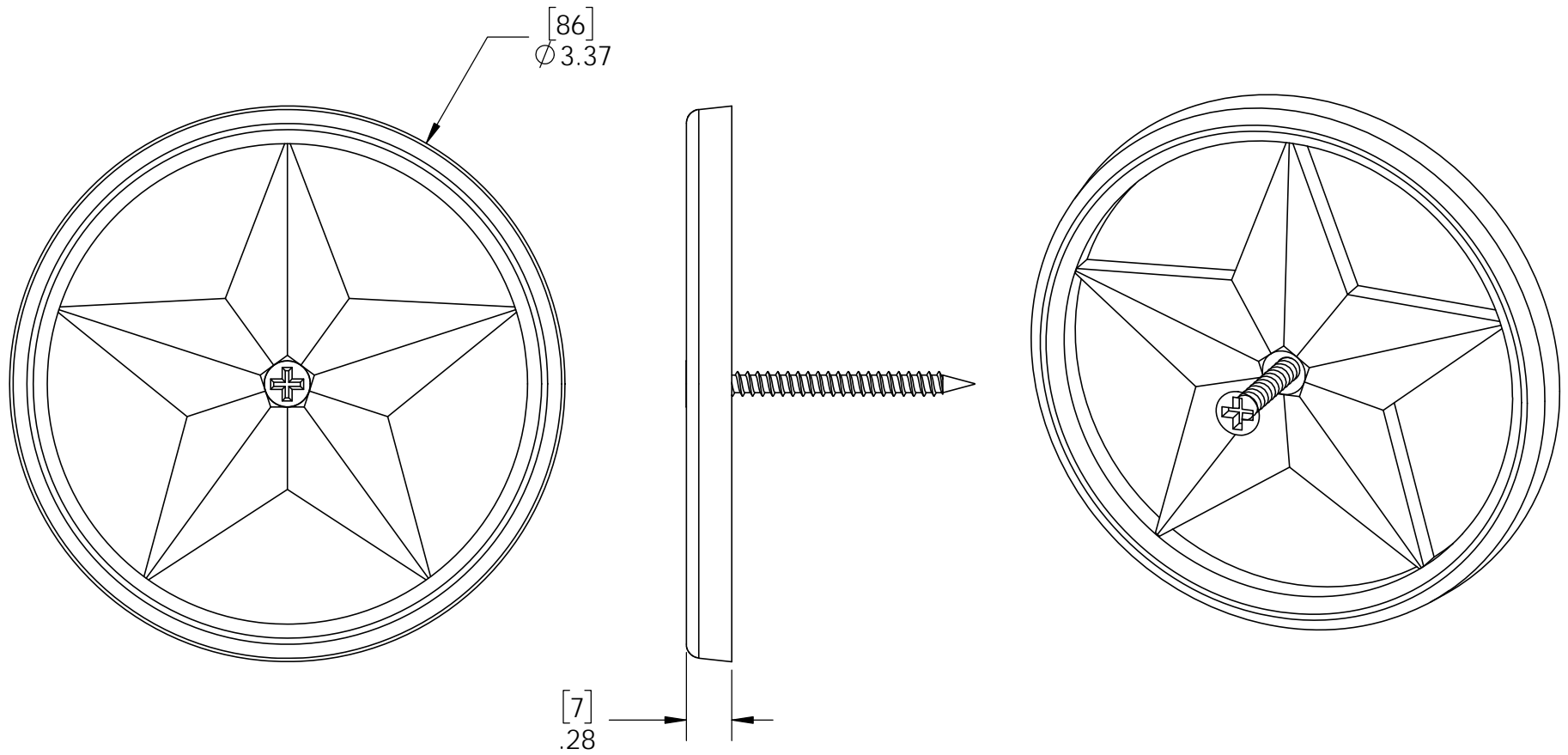
Unfortunately, there is currently no way to print content directly through issuu. To print a publication, you will need to download it and print it from your computer.





56623

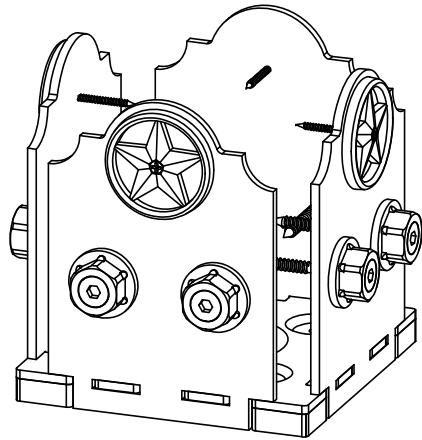
Installation Instructions, 56623 & 56624



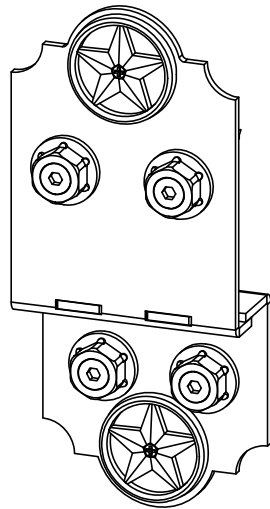
56624

Installation Instructions, 56623 & 56624

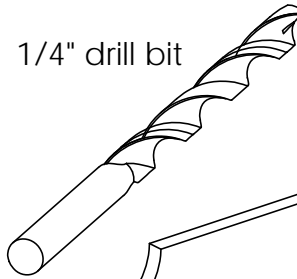
MUST be installed with wood in place (not shown)



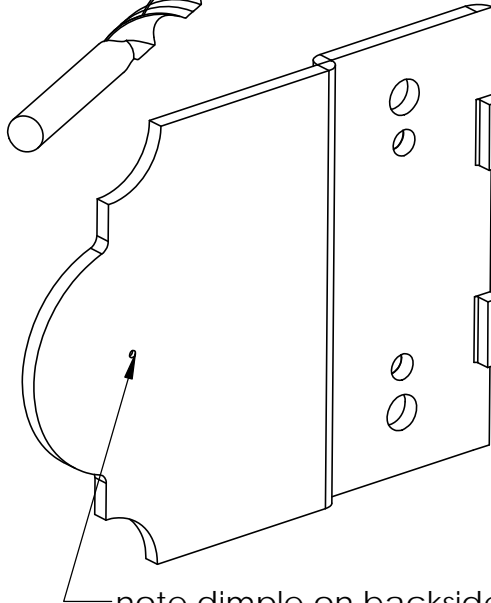
Post Base installation



Post to Beam installation

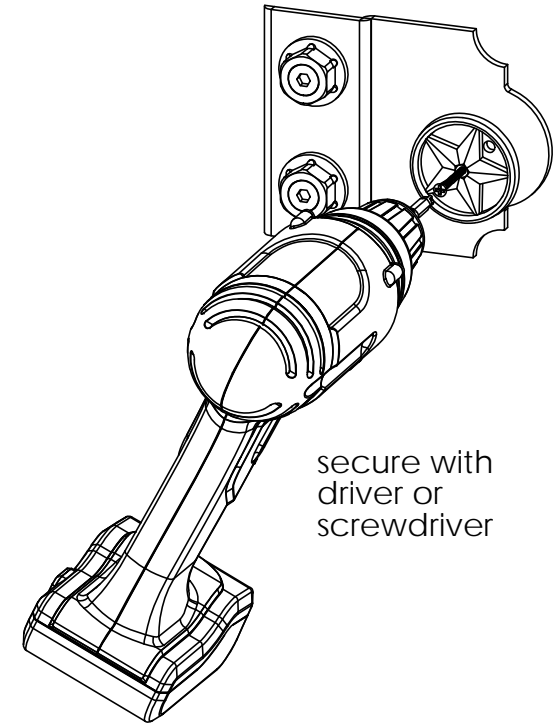


1/4" drill bit



note dimple on backside,
drill thru with \varnothing 1/4" drill bit.

same process for Post Base,
Post to Beam & Truss Accent
(shown in this view)



secure with
driver or
screwdriver

Installation: Post Base, Post to Beam & Truss Accent