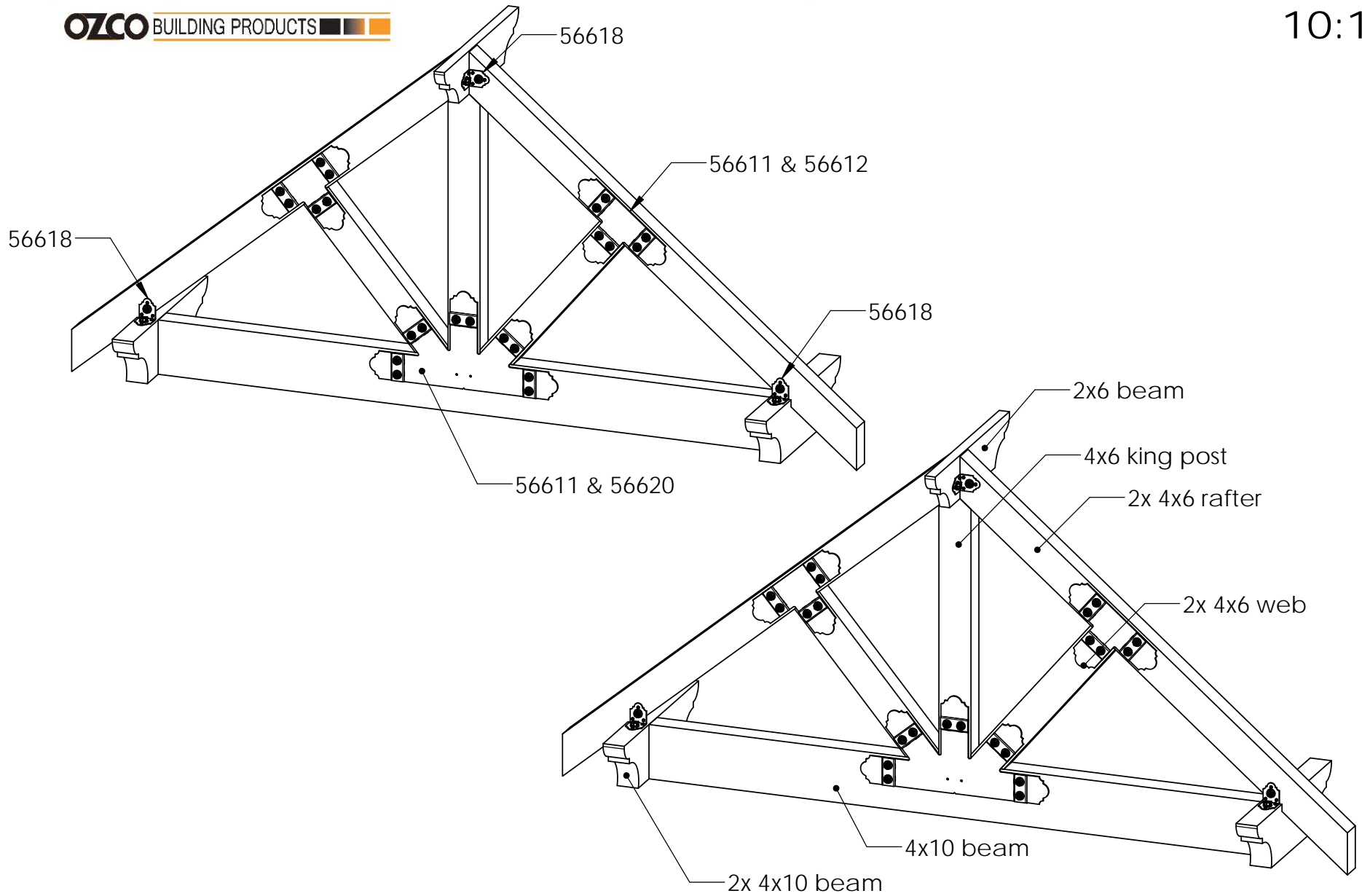


Truss Construction

56620 Truss Base Fan Calculator

10:12

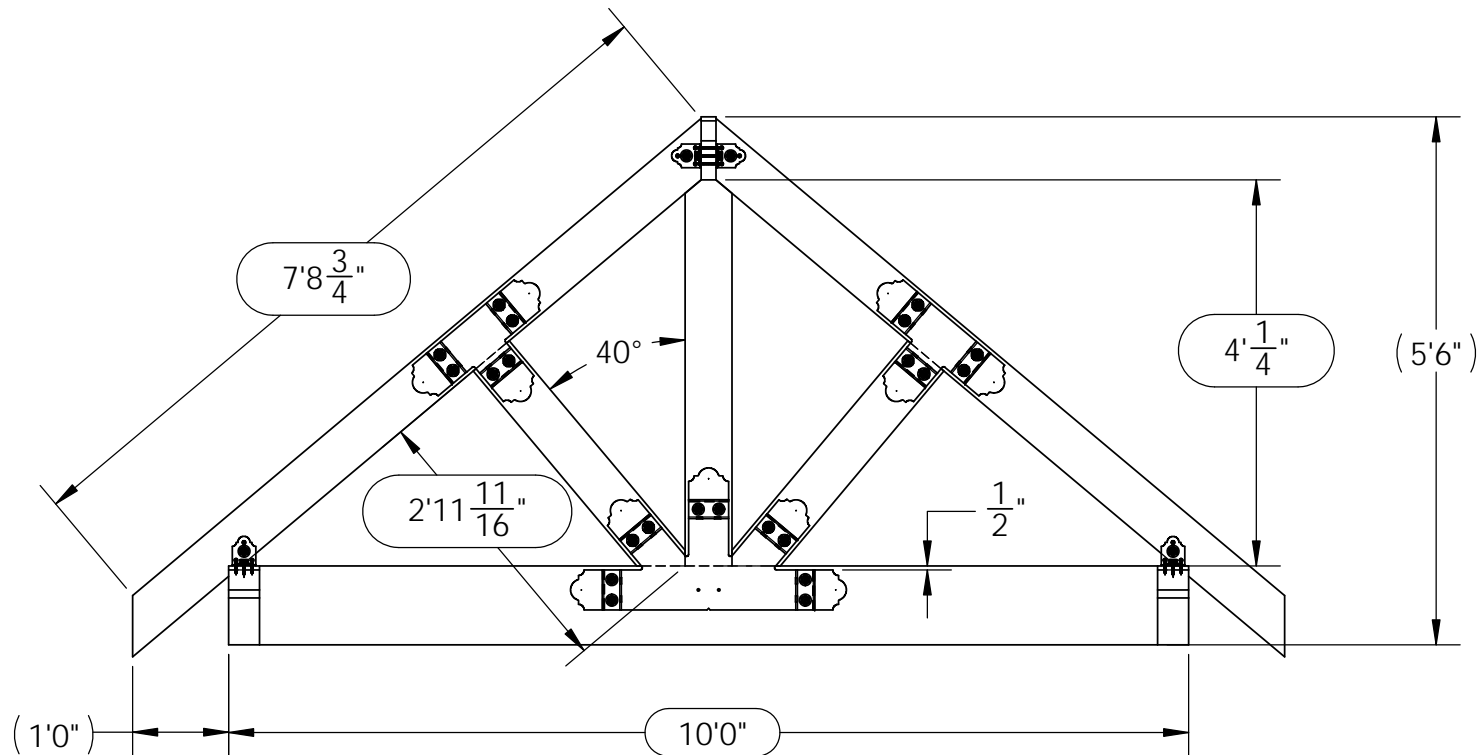




Truss Construction

56620 Truss Base Fan Calculator

10:12 OZCO Truss Fan Calculator							
Beam (in)	King Post (in)	Rafter (in)	Web (in)	Beam (in)	King Post (in)	Rafter (in)	Web (in)
96	38.18	82.01	28.01	145	58.74	113.98	43.75
97	38.60	82.66	28.33	146	59.16	114.64	44.07
98	39.02	83.32	28.65	147	59.58	115.29	44.39
99	39.44	83.97	28.97	148	60.00	115.94	44.72
100	39.86	84.62	29.30	149	60.42	116.59	45.04
101	40.28	85.27	29.62	150	60.84	117.25	45.36
102	40.70	85.93	29.94	151	61.26	117.90	45.68
103	41.12	86.58	30.26	152	61.68	118.55	46.00
104	41.54	87.23	30.58	153	62.10	119.20	46.32
105	41.96	87.88	30.90	154	62.52	119.86	46.64
106	42.38	88.54	31.22	155	62.94	120.51	46.96
107	42.80	89.19	31.54	156	63.36	121.16	47.29
108	43.22	89.84	31.87	157	63.77	121.81	47.61
109	43.63	90.49	32.19	158	64.19	122.47	47.93
110	44.05	91.15	32.51	159	64.61	123.12	48.25
111	44.47	91.80	32.83	160	65.03	123.77	48.57
112	44.89	92.45	33.15	161	65.45	124.42	48.89
113	45.31	93.10	33.47	162	65.87	125.08	49.21
114	45.73	93.76	33.79	163	66.29	125.73	49.53
115	46.15	94.41	34.11	164	66.71	126.38	49.86
116	46.57	95.06	34.44	165	67.13	127.03	50.18
117	46.99	95.71	34.76	166	67.55	127.69	50.50
118	47.41	96.37	35.08	167	67.97	128.34	50.82
119	47.83	97.02	35.40	168	68.39	129.00	51.15
120	48.25	97.67	35.72	169	68.81	129.65	51.47
121	48.67	98.32	36.04	170	69.23	130.31	51.79
122	49.09	98.98	36.36	171	69.65	130.96	52.11
123	49.51	99.63	36.68	172	70.07	131.61	52.44
124	49.93	100.28	37.01	173	70.49	132.26	52.76
125	50.35	100.93	37.33	174	70.91	132.92	53.08
126	50.77	101.59	37.65	175	71.33	133.57	53.40
127	51.19	102.24	37.97	176	71.75	134.22	53.72
128	51.61	102.89	38.29	177	72.17	134.88	54.04
129	52.03	103.54	38.61	178	72.59	135.53	54.36
130	52.45	104.20	38.93	179	73.01	136.18	54.68
131	52.87	104.85	39.25	180	73.43	136.84	55.01
132	53.29	105.50	39.58	181	73.84	137.49	55.33
133	53.70	106.15	39.90	182	74.26	138.14	55.65
134	54.12	106.81	40.22	183	74.68	138.79	55.97
135	54.54	107.46	40.54	184	75.10	139.45	56.29
136	54.96	108.11	40.86	185	75.52	140.10	56.61
137	55.38	108.76	41.18	186	75.94	140.75	56.93
138	55.80	109.42	41.50	187	76.36	141.41	57.25
139	56.22	110.07	41.82	188	76.78	142.06	57.58
140	56.64	110.72	42.15	189	77.20	142.71	57.90
141	57.06	111.37	42.47	190	77.62	143.36	58.22
142	57.48	112.03	42.79	191	78.04	144.02	58.54
143	57.90	112.68	43.11	192	78.46	144.67	58.86
144	58.32	113.33	43.43	193	78.88	145.32	59.18



Board	Length
Beam	10'0"
Rafter	7'8 3/4"
King Post	4' 1/4"
Web Post	2'11 11/16"

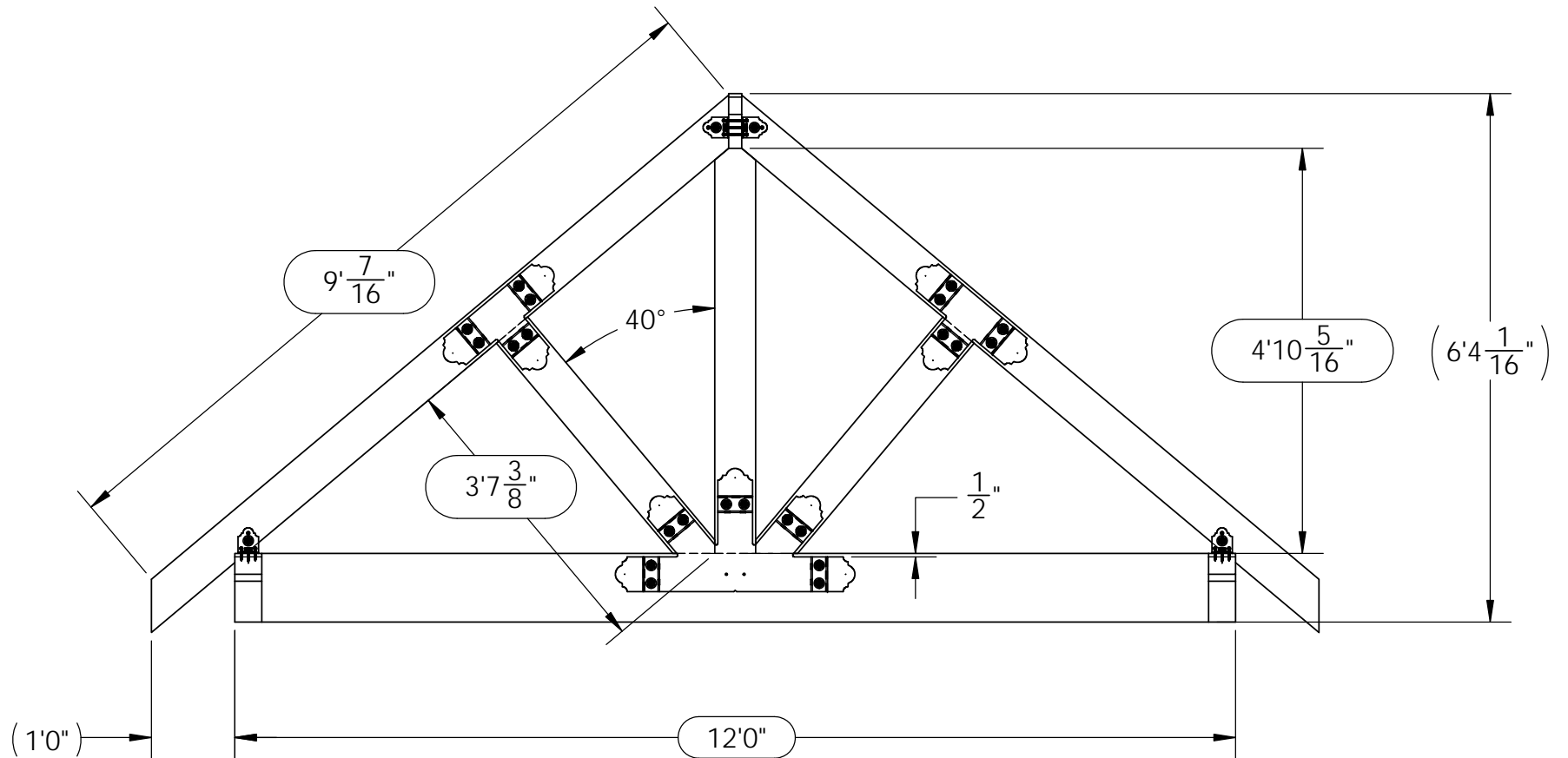
Weight: 412.63 LBS
 Scale: 1:24
 Last updated: 6/23/2017

56620 Truss Base Fan Calculator

Truss Construction

56620 Truss Base Fan Calculator

10:12



Board	Length
Beam	12'0"
Rafter	9' $\frac{7}{16}$ "
King Post	4' $10\frac{5}{16}$ "
Web Post	3' $7\frac{3}{8}$ "

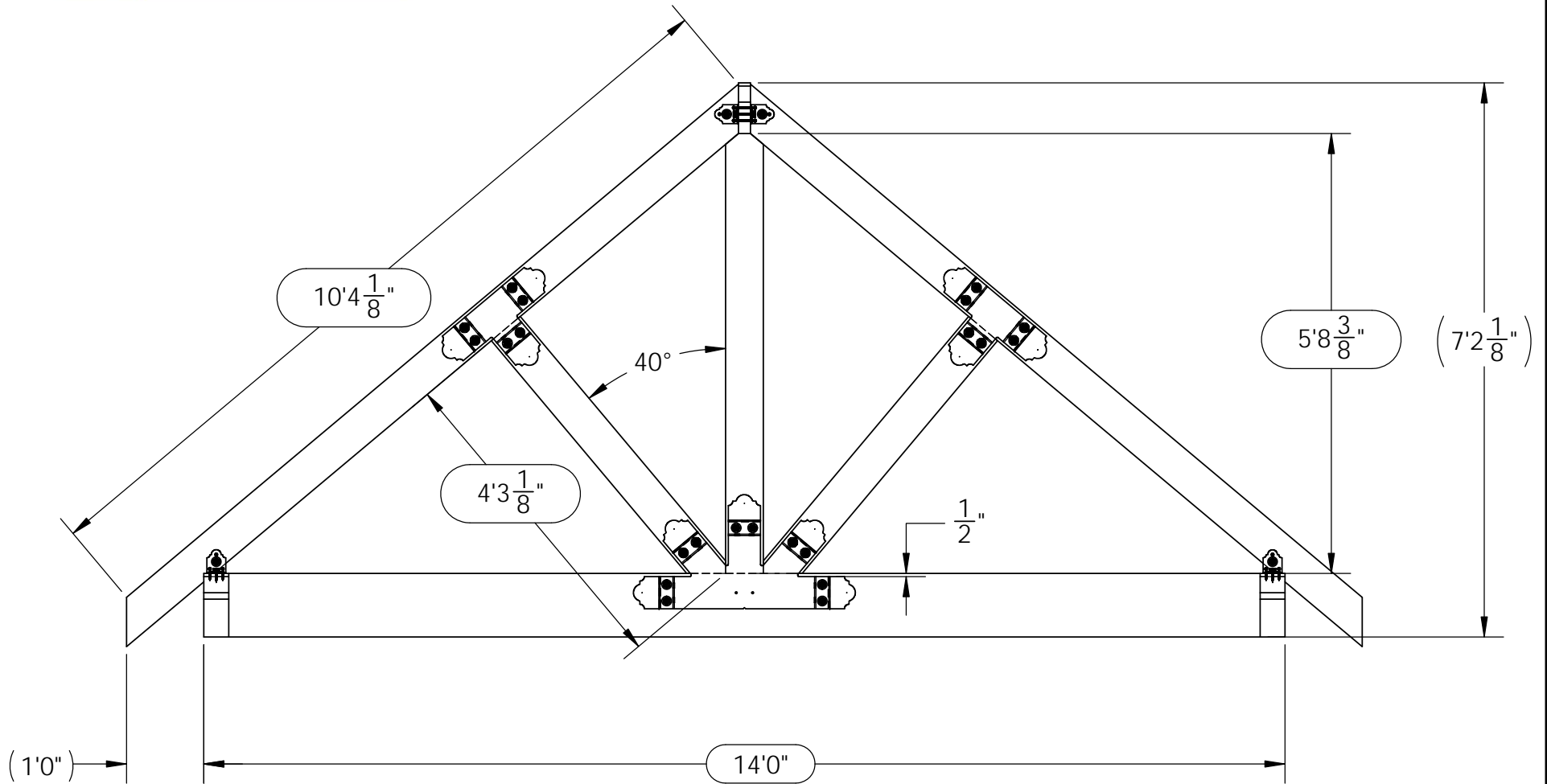
Weight: 475.25 LBS
 Scale: 1:24
 Last updated: 6/23/2017

56620 Truss Base Fan Calculator

Truss Construction

56620 Truss Base Fan Calculator

10:12



Weight: 537.59 LBS
 Scale: 1:24
 Last updated: 6/23/2017

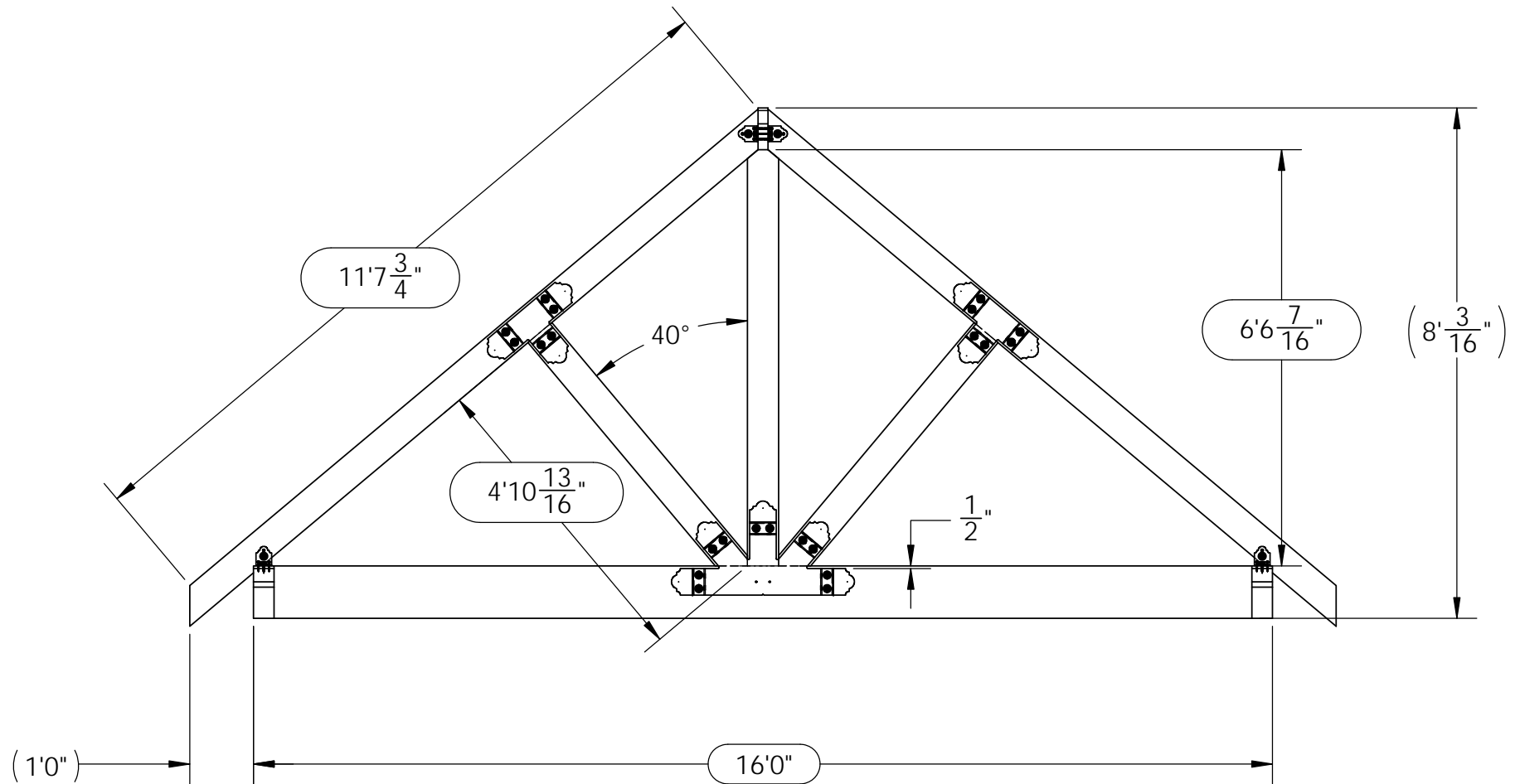
56620 Truss Base Fan Calculator

Board	Length
Beam	14'0"
Rafter	10'4 1/8"
King Post	5'8 3/8"
Web Post	4'3 1/8"

Truss Construction

56620 Truss Base Fan Calculator

10:12



Board	Length
Beam	16'0"
Rafter	11'7 3/4"
King Post	6'6 7/16"
Web Post	4'10 13/16"

Weight: 599.92 LBS
 Scale: 1:30
 Last updated: 6/23/2017

56620 Truss Base Fan Calculator